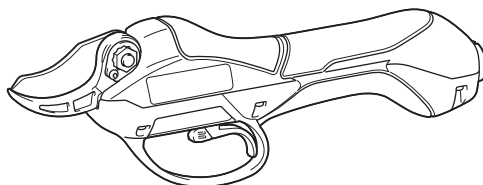




EN	Battery Powered Pruning Shears	INSTRUCTION MANUAL	8
FR	Sécateur à batterie	MANUEL D'INSTRUCTIONS	16
DE	Akku-Astschere	BETRIEBSANLEITUNG	25
IT	Cesoie per potare a batteria	ISTRUZIONI PER L'USO	34
NL	Accusnoeischaar	GEBRUIKSAANWIJZING	44
ES	Tijera de podar Inalámbrica	MANUAL DE INSTRUCCIONES	53
PT	Tesoura de Jardim a Bateria	MANUAL DE INSTRUÇÕES	62
DA	Akku grensaks	BRUGSANVISNING	71
EL	Κλαδευτικό ψαλίδι μπαταρίας	ΕΓΧΕΙΡΙΔΙΟ ΟΔΗΓΙΩΝ	79
TR	Akülü Budama Makası	KULLANMA KILAVUZU	89

DUP361



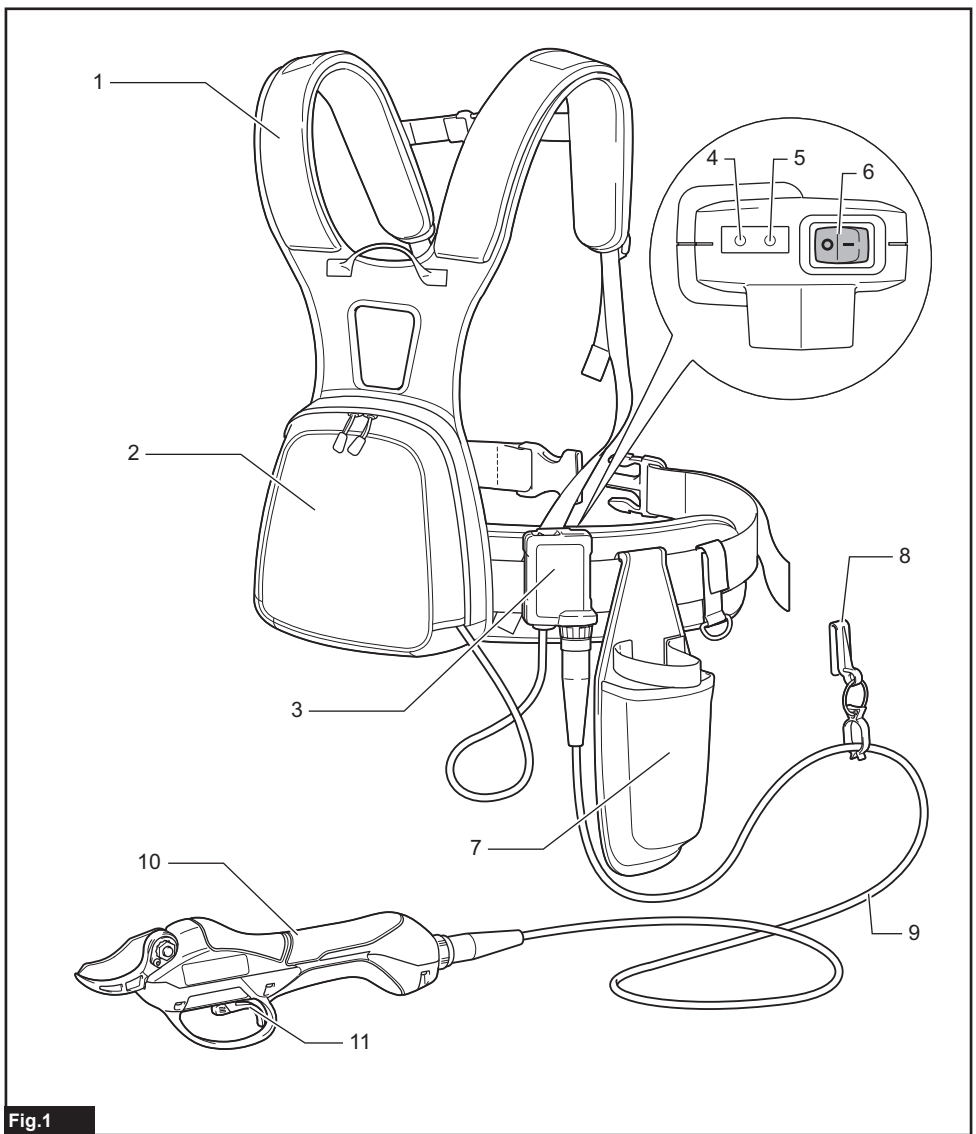


Fig.1

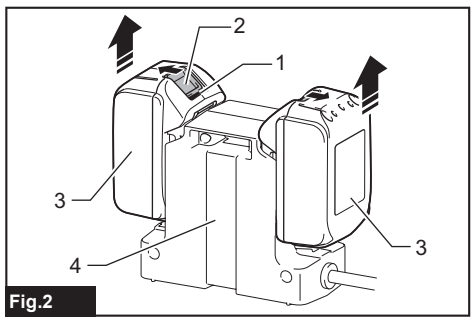


Fig.2

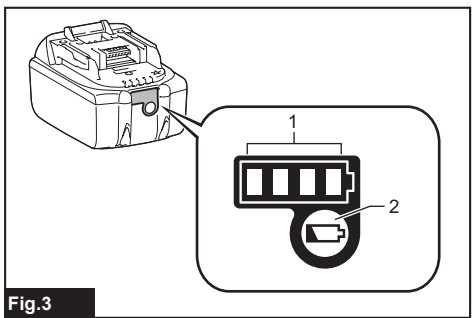


Fig.3

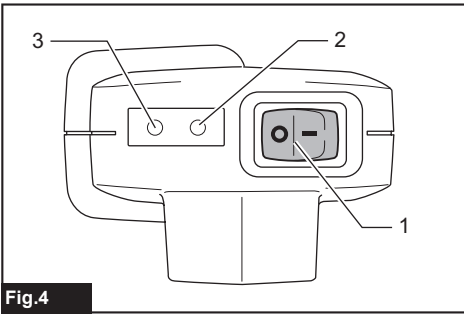


Fig.4

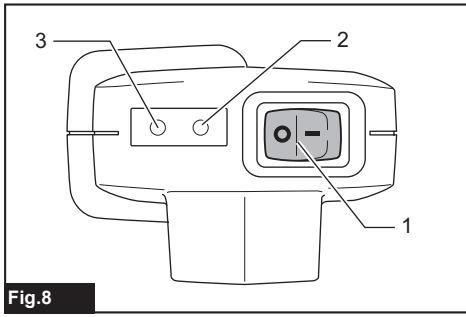


Fig.8

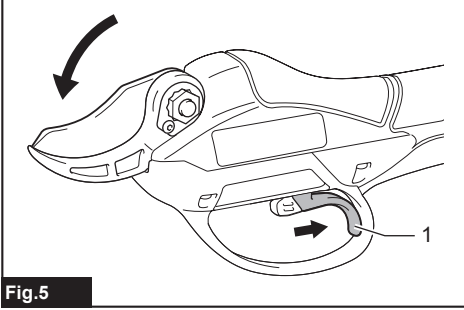


Fig.5

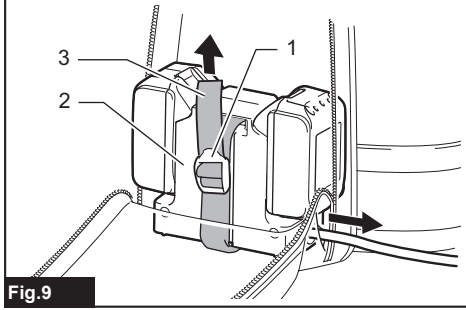


Fig.9

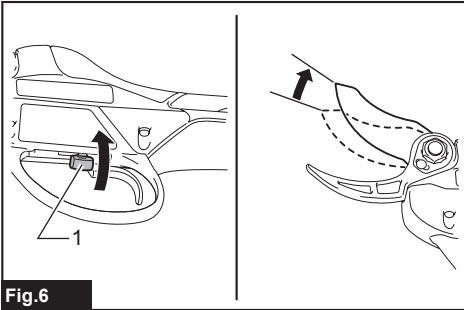


Fig.6

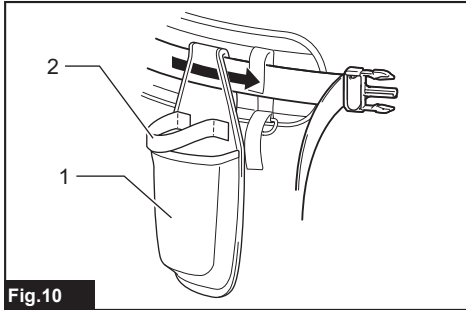


Fig.10

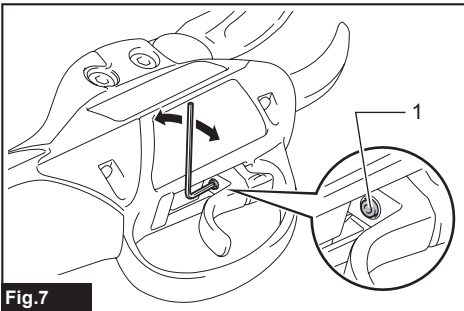


Fig.7

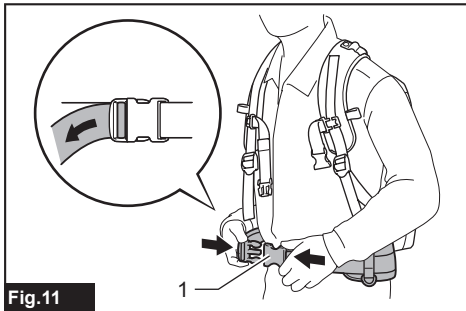


Fig.11

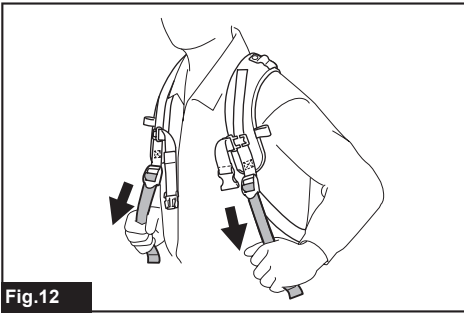


Fig.12

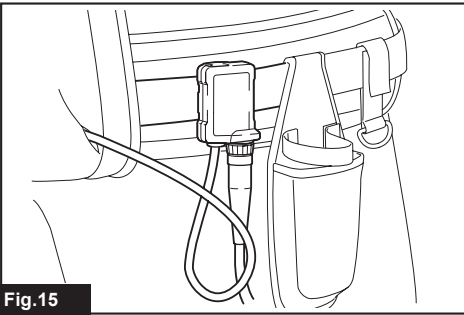


Fig.15

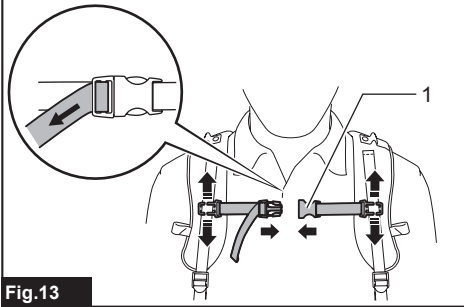


Fig.13

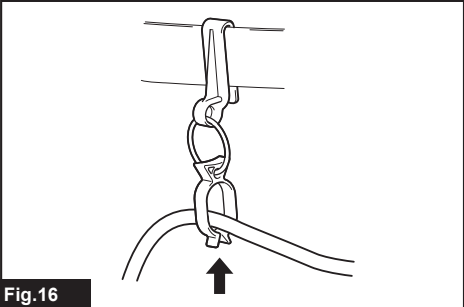


Fig.16

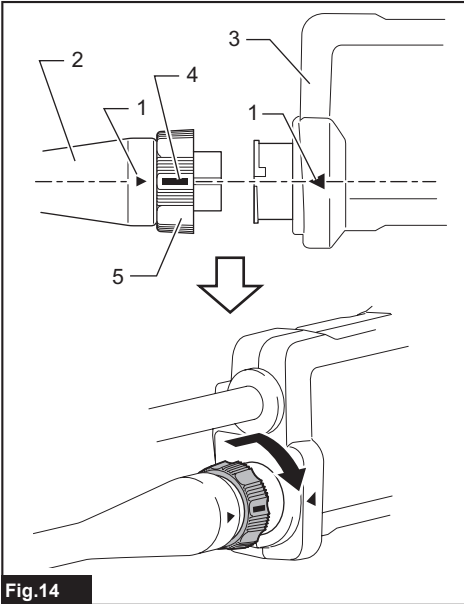


Fig.14

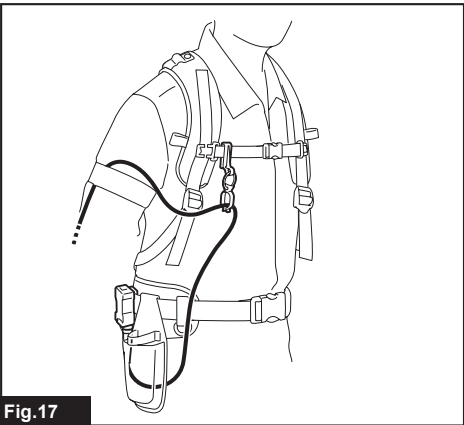


Fig.17

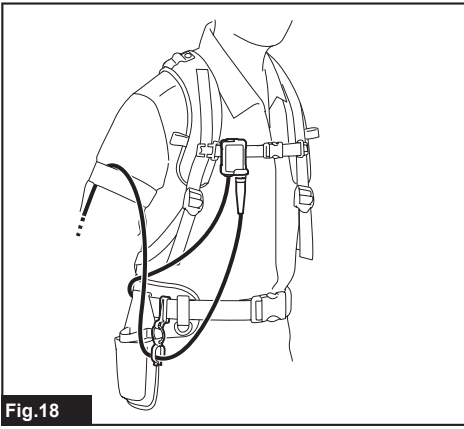


Fig.18

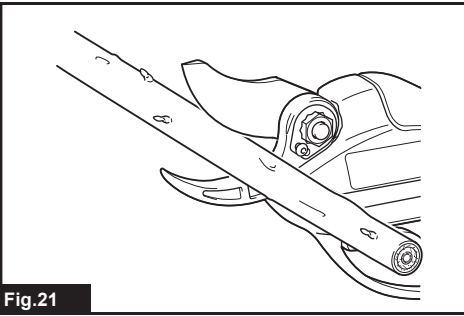


Fig.21

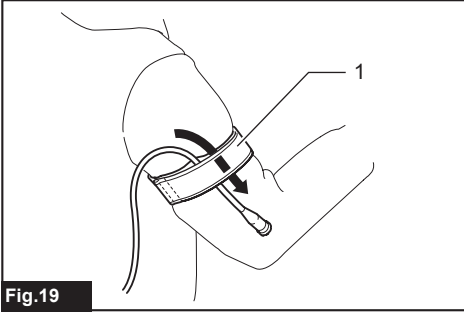


Fig.19

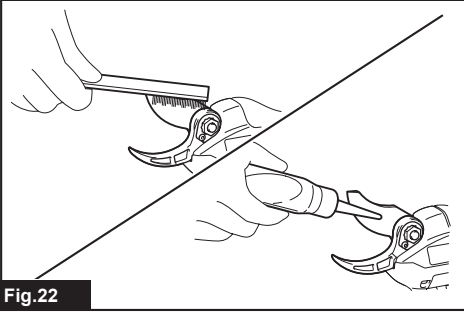


Fig.22

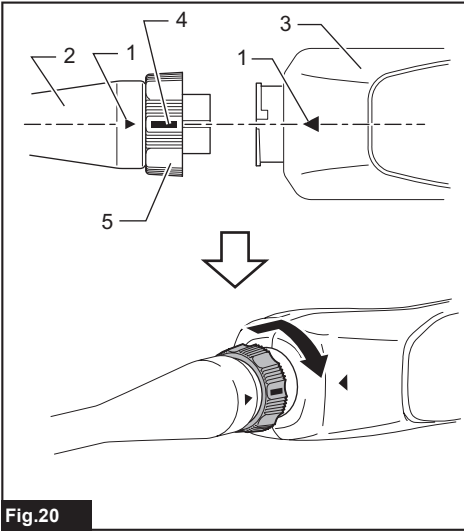


Fig.20

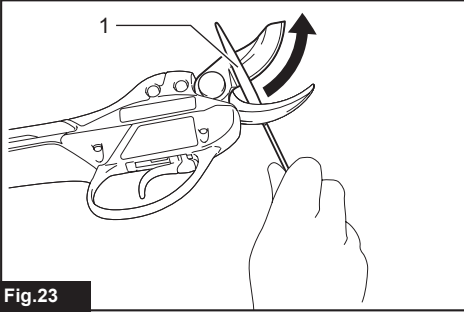


Fig.23

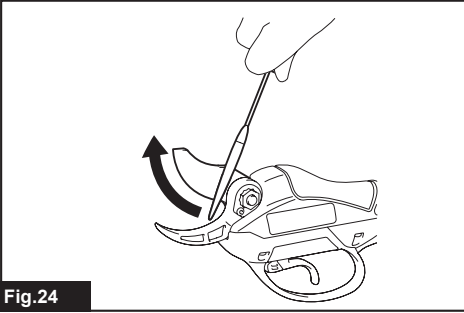
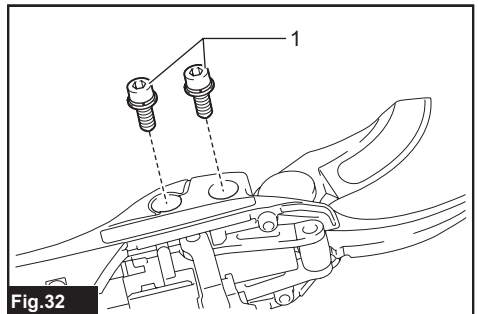
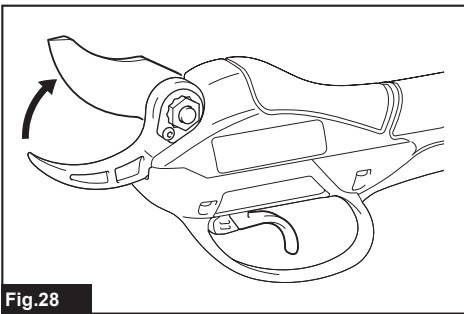
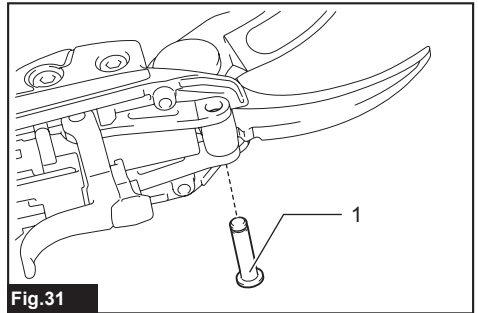
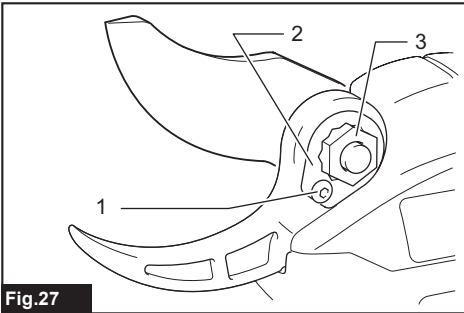
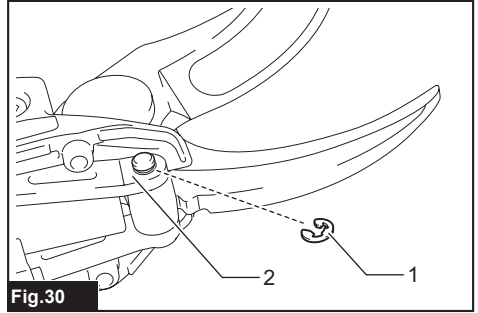
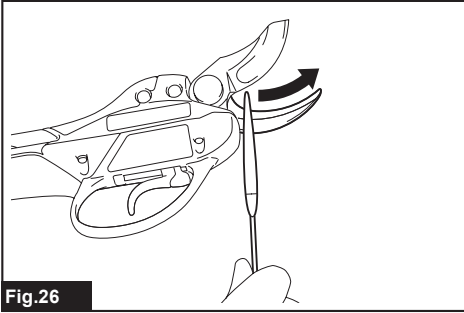
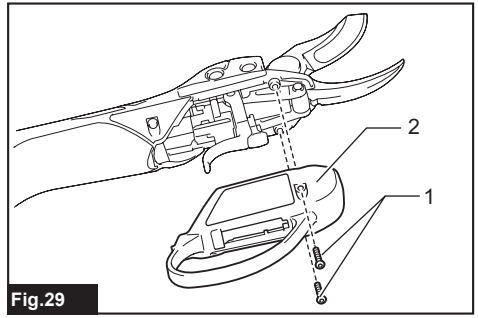
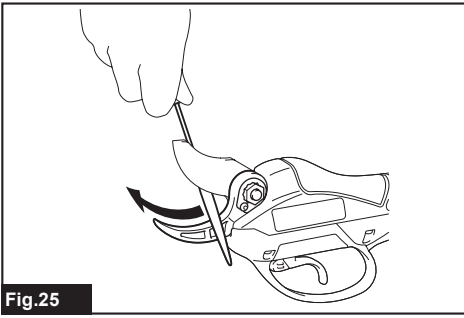


Fig.24



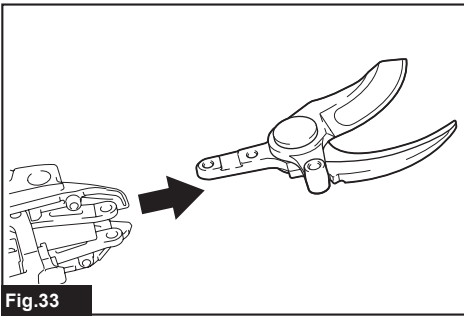


Fig.33

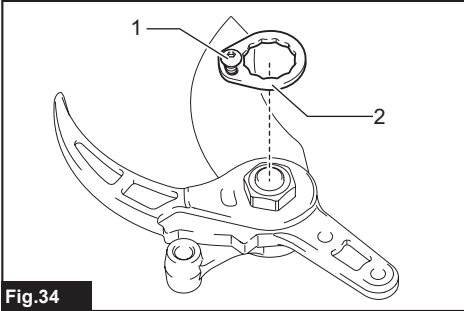


Fig.34

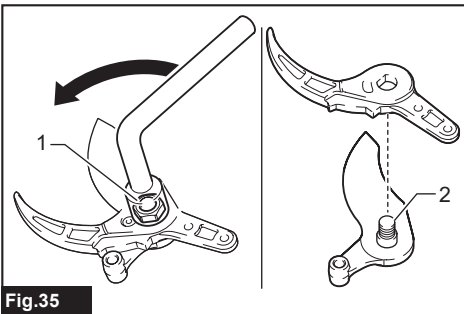


Fig.35

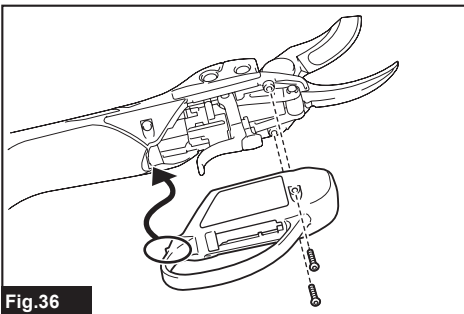


Fig.36

SPECIFICATIONS

Model:	DUP361	
Max. cutting capacity	33 mm	
Overall length (shears part)	305 mm	
Rated voltage	D.C.36 V	
Battery cartridge	BL1815N, BL1820, BL1820B	BL1830, BL1830B, BL1840, BL1840B, BL1850, BL1850B, BL1860B
Net weight (with shears, switch box, connection cord, two battery cartridges and back pack)	3.3 kg	3.8 kg

- Due to our continuing program of research and development, the specifications herein are subject to change without notice.
- Specifications and battery cartridge may differ from country to country.
- Weight, with battery cartridge, according to EPTA-Procedure 01/2003

Symbols

The following show the symbols used for the equipment. Be sure that you understand their meaning before use.



Read instruction manual.



Do not expose to moisture.



Danger; be aware of thrown objects.



Keep bystanders away.



Only for EU countries
Do not dispose of electric equipment or battery pack together with household waste material!

In observance of the European Directives, on Waste Electric and Electronic Equipment and Batteries and Accumulators and Waste Batteries and Accumulators and their implementation in accordance with national laws, electric equipment and batteries and battery pack(s) that have reached the end of their life must be collected separately and returned to an environmentally compatible recycling facility.

Intended use

The tool is intended for pruning twigs or branches.

Noise

The typical A-weighted noise level determined according to EN50636:

Sound pressure level (L_{pA}): 70 dB(A) or less
Uncertainty (K): 3.2 dB(A)

The noise level under working may exceed 80 dB (A).

WARNING: Wear ear protection.

Vibration

The vibration total value (tri-axial vector sum) determined according to EN50636:
Vibration emission (a_{hv}): 2.5 m/s^2 or less
Uncertainty (K): 1.5 m/s^2

NOTE: The declared vibration emission value has been measured in accordance with the standard test method and may be used for comparing one tool with another.

NOTE: The declared vibration emission value may also be used in a preliminary assessment of exposure.

WARNING: The vibration emission during actual use of the power tool can differ from the declared emission value depending on the ways in which the tool is used.

WARNING: Be sure to identify safety measures to protect the operator that are based on an estimation of exposure in the actual conditions of use (taking account of all parts of the operating cycle such as the times when the tool is switched off and when it is running idle in addition to the trigger time).

EC Declaration of Conformity

For European countries only

Makita declares that the following Machine(s):
Designation of Machine: Battery Powered Pruning Shears

Model No./ Type: DUP361

Conforms to the following European Directives:
2006/42/EC

They are manufactured in accordance with the following standard or standardized documents: EN ISO 12100
The technical file in accordance with 2006/42/EC is available from:

Makita, Jan-Baptist Vinkstraat 2, 3070, Belgium
29.1.2015

Pruning shears safety warnings

⚠ WARNING: Read all safety warnings and all instructions. Failure to follow the warnings and instructions may result in electric shock, fire and/or serious injury.

Save all warnings and instructions for future reference.

The term "power tool" in the warnings refers to your mains-operated (corded) power tool or battery-operated (cordless) power tool.

1. **Use personal protective equipment. Always wear eye protection.** Protective equipment such as dust mask, non-skid safety shoes, hard hat, or hearing protection used for appropriate conditions will reduce personal injuries.
2. **Prevent unintentional starting. Ensure the switch is in the off-position before connecting to power source and/or battery pack, picking up or carrying the tool.** Carrying power tools with your finger on the switch or energising power tools that have the switch on invites accidents.
3. **Dress properly. Do not wear loose clothing or jewellery. Keep your hair, clothing, and gloves away from moving parts.** Loose clothes, jewellery or long hair can be caught in moving parts.
4. **This tool is for pruning branches.** Do not use it for any job except that for which it is intended.
5. **Never allow children, persons with reduced physical, sensory or mental capabilities or lack of experience and knowledge or people unfamiliar with these instructions to use the tool.** Local regulations may restrict the age of the operator.
6. **Never operate the tool while people, especially children, or pets are nearby.**
7. **Do not overreach and keep balance at all times.** Always be sure of footing on slopes and to walk, never run.
8. **Do not touch moving hazardous parts before the tool is disconnected from the mains and/or the battery pack is removed from the tool.**
9. **Always wear substantial footwear and long trousers while operating the tool.**
10. **Disconnect the supply and/or remove the battery pack from the tool:**
 - whenever the tool is left by the user,
 - before clearing a blockage,
 - before checking, cleaning or working on the tool,
 - after striking a foreign object to inspect the tool for damage,
 - if the tool starts to vibrate abnormally, for immediately check.

11. **Never operate the tool with defective guards or shields, or without safety devices, or if the cord is damaged or worn.**
12. **Avoid using the tool in bad weather conditions especially when there is a risk of lightning.**
13. **Don't use the tool or perform battery charging operations in the rain.**
14. **Never leave the tool in rain or wet locations.**
15. **Be careful not to catch foreign matter between the blades.** If the blades are jammed with foreign matter, immediately switch off the tool and disconnect the battery from the tool. Then remove the foreign matter from the blades.
16. **Never hold the branch you are pruning with your free hand.** Keep your free hand away from the cutting area. Never touch the blades, they are very sharp and you may cut yourself.
17. **Don't force the tool to make it cut.** You could slip and injure yourself or cut something else unintentionally.
18. **Avoid cutting electrical wires that may be hidden.**
19. **Always check the blades carefully before operation.**
20. **Handle the blades with extreme care to prevent cuts or injury from the blades.**
21. **Disconnect the battery from the tool after each use and before attempting to perform inspection or maintenance.**
22. **When not in use, always keep the tool in its holster.**

Battery tool use and care

1. **Recharge only with the charger specified by the manufacturer.** A charger that is suitable for one type of battery pack may create a risk of fire when used with another battery pack.
2. **Use power tools only with specifically designed battery packs.** Use of any other battery packs may create a risk of injury and fire.
3. **When battery pack is not in use, keep it away from other metal objects, like paper clips, coins, keys, nails, screws or other small metal objects, that can make a connection from one terminal to another.** Shorting the battery terminals together may cause burns or a fire.
4. **Under abusive conditions, liquid may be ejected from the battery; avoid contact. If contact accidentally occurs, flush with water. If liquid contacts eyes, additionally seek medical help.** Liquid ejected from the battery may cause irritation or burns.

Service

1. **Have your power tool serviced by a qualified repair person using only identical replacement parts.** This will ensure that the safety of the power tool is maintained.
2. **Follow instruction for lubricating and changing accessories.**
3. **Keep handles dry, clean and free from oil and grease.**

⚠WARNING: DO NOT let comfort or familiarity with product (gained from repeated use) replace strict adherence to safety rules for the subject product. MISUSE or failure to follow the safety rules stated in this instruction manual may cause serious personal injury.

Important safety instructions for battery cartridge

1. Before using battery cartridge, read all instructions and cautionary markings on (1) battery charger, (2) battery, and (3) product using battery.
2. Do not disassemble battery cartridge.
3. If operating time has become excessively shorter, stop operating immediately. It may result in a risk of overheating, possible burns and even an explosion.
4. If electrolyte gets into your eyes, rinse them out with clear water and seek medical attention right away. It may result in loss of your eyesight.
5. Do not short the battery cartridge:
 - (1) Do not touch the terminals with any conductive material.
 - (2) Avoid storing battery cartridge in a container with other metal objects such as nails, coins, etc.
 - (3) Do not expose battery cartridge to water or rain.

A battery short can cause a large current flow, overheating, possible burns and even a breakdown.
6. Do not store the tool and battery cartridge in locations where the temperature may reach or exceed 50 °C (122 °F).
7. Do not incinerate the battery cartridge even if it is severely damaged or is completely worn out. The battery cartridge can explode in a fire.
8. Be careful not to drop or strike battery.
9. Do not use a damaged battery.

10. The contained lithium-ion batteries are subject to the Dangerous Goods Legislation requirements.

For commercial transports e.g. by third parties, forwarding agents, special requirement on packaging and labeling must be observed. For preparation of the item being shipped, consulting an expert for hazardous material is required. Please also observe possibly more detailed national regulations.

Tape or mask off open contacts and pack up the battery in such a manner that it cannot move around in the packaging.
11. Follow your local regulations relating to disposal of battery.

SAVE THESE INSTRUCTIONS.

⚠CAUTION: Only use genuine Makita batteries. Use of non-genuine Makita batteries, or batteries that have been altered, may result in the battery bursting causing fires, personal injury and damage. It will also void the Makita warranty for the Makita tool and charger.

Tips for maintaining maximum battery life

1. Charge the battery cartridge before completely discharged. Always stop tool operation and charge the battery cartridge when you notice less tool power.
2. Never recharge a fully charged battery cartridge. Overcharging shortens the battery service life.
3. Charge the battery cartridge with room temperature at 10 °C - 40 °C (50 °F - 104 °F). Let a hot battery cartridge cool down before charging it.
4. Charge the battery cartridge if you do not use it for a long period (more than six months).

N Mark

The N Mark is a trademark or registered trademark of NFC Formula, Inc. in USA and other countries in the world.

PARTS DESCRIPTION

► Fig.1

1	Harness	2	Back pack	3	Switch box	4	Pilot lamp (red)
5	Pilot lamp (green)	6	I/O switch	7	Holster	8	Cord holder
9	Connection cord	10	Shears	11	Switch trigger	-	-

FUNCTIONAL DESCRIPTION

CAUTION: Always be sure that the tool is switched off and the battery cartridge is removed before adjusting or checking function on the tool.

Removing or installing battery cartridge

CAUTION: Always switch off the tool before installing or removing of the battery cartridge.

CAUTION: Hold the tool and the battery cartridge firmly when installing or removing battery cartridge. Failure to hold the tool and the battery cartridge firmly may cause them to slip off your hands and result in damage to the tool and battery cartridge and a personal injury.

► **Fig.2:** 1. Red indicator 2. Button 3. Battery cartridge 4. Battery holder

To remove the battery cartridge, slide it from the tool while sliding the button on the front of the cartridge.

To install the battery cartridge, align the tongue on the battery cartridge with the groove in the housing and slip it into place. Insert it all the way until it locks in place with a little click. If you can see the red indicator on the upper side of the button, it is not locked completely.

CAUTION: Always install the battery cartridge fully until the red indicator cannot be seen. If not, it may accidentally fall out of the tool, causing injury to you or someone around you.

CAUTION: Do not install the battery cartridge forcibly. If the cartridge does not slide in easily, it is not being inserted correctly.

NOTE: The tool does not work with only one battery cartridge.

Tool / battery protection system

The tool is equipped with a tool/battery protection system. This system automatically cuts off power to the motor to extend tool and battery life. The tool will automatically stop during operation if the tool or battery is placed under one of the following conditions. In some conditions, the lamps on the switch box lights up.

Overload protection

When the tool is operated in a manner that causes it to draw an abnormally high current, the tool automatically stops without any indication. In this situation, turn the tool off and stop the application that caused the tool to become overloaded. Then turn the tool on to restart.

Overheat protection

When the tool is overheated, the tool stops automatically, and the green lamp on the switch box blinks. In this situation, let the tool cool down before turning the tool on again.

Overdischarge protection

When the battery capacity becomes low, the tool stops automatically. And the red lamp on the switch box lights up or blinks. If the product does not operate even when the switches are operated, remove the batteries from the battery holder and charge the batteries.

Indicating the remaining battery capacity

Only for battery cartridges with "B" at the end of the model number

► **Fig.3:** 1. Indicator lamps 2. Check button

Press the check button on the battery cartridge to indicate the remaining battery capacity. The indicator lamps light up for few seconds.

Indicator lamps			Remaining capacity
Lighted	Off	Blinking	
■ ■ ■ ■			75% to 100%
■ ■ ■ □			50% to 75%
■ ■ □ □			25% to 50%
■ □ □ □			0% to 25%
▧ □ □ □			Charge the battery.
■ ■ □ □			The battery may have malfunctioned.
□ □ ■ ■			

NOTE: Depending on the conditions of use and the ambient temperature, the indication may differ slightly from the actual capacity.

Switch action

CAUTION: Before connecting the battery to the shears, always check to see that the switch trigger actuates properly and returns to the "OFF" position when released.

CAUTION: When not operating the tool, always make sure that the I/O switch is on the "O" side.

CAUTION: Do not press the I/O switch to the "I" (on) position while pulling the switch trigger. The blade closes slightly and it may cause personal injury.

To turn on the tool, perform as follows:

1. Connect the switch box, connection cord, and shears. (Refer to "Installing the connection cord".)
2. Hold the shears firmly, and press the I/O switch to the "I" (on) position. The green pilot lamp lights up.

► **Fig.4:** 1. I/O switch 2. Pilot lamp (green) 3. Pilot lamp (red)

3. The shear blades are locked-mode when the I/O switch is on. To release the lock, pull the switch trigger two times. The upper shear blade opens automatically.

4. To close the shear blade, pull the switch trigger.
 ▶ **Fig.5:** 1. Switch trigger

Auto locked-mode and shut-off mode shift

For safety reasons, the tool shifts into locked-mode or shut-off mode automatically if the tool is left untouched for a certain period of time.

After 5 minutes: The tool shifts into locked-mode. Pull the switch trigger two times to release the lock.
 After 15 minutes: The tool is shift into shut-off mode, and the green pilot lamp turns off. Press the I/O switch to the "O" (off) position once, and press the I/O switch to the "I" (on) position again, then pull the switch trigger two times to release the lock.

Opening angle selector lever

▶ **Fig.6:** 1. Opening angle selector lever

By tilting the opening angle selector lever to the left side, you can open the upper shear blade wider.
 To limit the upper shear blade opening angle, first pull the switch trigger fully, and then return the opening angle selector lever to straight position.

Cutting depth adjustment

CAUTION: Do not let your hands or part of body close to the shear blades. Otherwise personal injury may result.

After sharpening or replacing the shear blade, adjust cutting depth if necessary.
 Turn on the tool, and pull the switch trigger two times to open the shear blades, and then press the I/O switch to the "O" (off) position.
 To deepen the cutting depth, turn the cutting depth adjusting screw clockwise with the hex wrench. And to make the cutting depth shallower, turn the cutting depth adjusting screw counterclockwise.

▶ **Fig.7:** 1. Cutting depth adjusting screw

NOTE: Check the cutting depth after adjustment. If the cutting depth is too shallow, the branch may not cut fully.

Pilot lamps on the switch box

▶ **Fig.8:** 1. I/O switch 2. Pilot lamp (green) 3. Pilot lamp (red)

The green and red lamps indicate as follows:
 (On: ● Off: ○ Blinking: ✨)

- Green lamp lights up: the tool is turned on.

Green	Red
●	○

- Green lamp and red lamp light up: if you insert the battery to the battery holder when I/O switch is "I" (on) position, both of the lamps light up and the blade does not move though you pull the switch trigger. In this situation, press the I/O switch to the "O" (off) position once, and press the I/O switch to the "I" (on) position again.

Green	Red
●	●

- Green lamp blinks: the tool is overheated. Let the tool cool down before turning the tool on again.

	Green	Red
🔥	✨	○

- Green lamp lights up and red lamp blinks or lights up: battery is low or almost flat. Charge the batteries. When either of the battery becomes low, the red lamp blinks even one of the batteries is full.

	Green	Red
🔋	●	✨ / ●

- Green lamp and red lamp blink alternately: the tool detects breaking of wire. Check the connection cord for loose connection with the switch box and the shears. If the lamps still blink alternately, stop using the tool immediately, disconnect the connection cord, remove the battery, and ask your local authorized service center for repair.

⚠️	Lamps blink alternately
	○ ● ←→ ● ○

ASSEMBLY

CAUTION: Always be sure that the tool is switched off and the battery cartridge is removed before carrying out any work on the tool.

Installing the battery holder into the backpack

▶ **Fig.9:** 1. Clamp 2. Battery holder 3. Strap

- Pass the switch box through the opening (either right or left) of the back pack.
- Pass the clamp through the square hole of the battery holder, and secure the battery holder with the strap. Make sure that the battery holder sits in the backpack firmly.

Installing the holster

▶ **Fig.10:** 1. Holster 2. Strap

Pass the belt of the lower buckle through the opening of the holster.

Adjusting the harness

Adjust the harness as follows:

- Close and lock the lower buckle, and adjust its belt length.
 ▶ **Fig.11:** 1. Lower buckle
- Adjust the shoulder strap length.
 ▶ **Fig.12**

- Adjust the position of the upper buckle. Close and lock the upper buckle and adjust its belt length.

► **Fig.13:** 1. Upper buckle

CAUTION: In case of emergency, quickly open the lower buckle and upper buckle, loosen shoulder straps, and set down the backpack.

Installing the connection cord

CAUTION: Always make sure that the switch box's I/O switch is on the "O" side before attaching the connection cord.

CAUTION: Do not operate the tool if the connection cord is damaged.

NOTICE: Do not abuse the connection cord. Do not carry the tool by pulling the connection cord. Keep the connection cord away from heat, oil, or sharp edges. Otherwise the connection cord may be damaged.

Attach the connection cord with the switch box and the shears as follows:

- First, align the triangular marks of the male plug of the connection cord with the triangular mark of the female connector of the switch box. Push in the plug of the connection cord to the connector of the switch box. Then, align the marking on the coupling with the triangular marks, and push in and turn the coupling to tighten.

► **Fig.14:** 1. Triangular mark 2. Connection cord
3. Switch box 4. Marking on coupling
5. Coupling

NOTICE: Turn the coupling and align the marking on the coupling with the triangular marks first when disconnecting the connection cable.

- Hang the switch box on the waist belt or upper belt.

► **Fig.15**

- Push the connection cord into the loop of the cord holder.

► **Fig.16**

Hang the cord holder on either the upper belt or the waist belt on which the switch box is not hung.

The cord holder prevents the connection cord from dangling around your body, and also the cord holder can prevent the connection cord from being cut by mistake.

► **Fig.17**

► **Fig.18**

NOTICE: Do not hang anything other than the connection code on the cord holder. Otherwise the code holder may be broken.

NOTICE: Do not force the cord holder opening. Otherwise it may result in deformation or breakage of the code holder.

- Put the arm band on your arm. And slip the connection cord through the arm band.

► **Fig.19:** 1. Arm band

- First, align the triangular marks of the female socket of the connection cord with the triangular mark of the male connector of the shears. Push in the socket of the connection cord to the connector of the shears. Then, align the marking on the coupling with the triangular marks, and push in and turn the coupling to tighten.

► **Fig.20:** 1. Triangular mark 2. Connection cord
3. Shears 4. Marking on coupling
5. Coupling

NOTICE: Turn the coupling and align the marking on the coupling with the triangular marks first when disconnecting the connection cable.

Putting shears in the holster

Keep pulling the switch trigger to close the shear blades, and press the I/O switch to "O" side to turn off the tool. Then put the shears into the holster and hold the shears with the strap of the holster.

OPERATION

CAUTION: Always hold the tool firmly. And keep firm footing.

CAUTION: Do not put any of your body parts near to the blades during operation.

CAUTION: Before use, inspect if the blades, blade bolts or other parts are not worn or damaged. Replace worn or damaged parts for safe operation.

NOTICE: If the blade is stuck in a branch during operation, do not twist the blade. In that situation, turn off the tool and pull the blades straight out slowly from the branch. Otherwise the blade may be damaged.

NOTICE: In case you cut too thick branch or something too hard, the overload protection works and the tool stops. In that situation, if the upper shear blade is opened too wide and the switch trigger is pulled fully, the upper blade closes slightly when you press the I/O switch to "I" (on) position for restarting the tool.

Pruning operation

► **Fig.21**

Cut branches one by one. The maximum thickness of branches which can be cut with these shears is about 33mm. Maintain your proper footing and balance at all times.

After use

Close the shear blades, press the I/O switch to the "O" (off) position, and disconnect the connection cord from the shears and the switch box, and remove the batteries from battery holder.

Store the shears in dry, high or locked-up place – out of reach of children.

NOTICE: Remove the battery when not using the shears. Otherwise the battery capacity is reduced during course of time.

MAINTENANCE

CAUTION: Always be sure that the tool is switched off and the battery cartridge is removed before attempting to perform inspection or maintenance.

CAUTION: Wear safety gloves when handling the blade. Otherwise it may result in personal injury.

NOTICE: Never use gasoline, benzine, thinner, alcohol or the like. Discoloration, deformation or cracks may result.

Blade maintenance

NOTICE: Failure to perform blade maintenance may cause excessive blade friction and shorten the operating time per battery charge.

Before and after operation, check the shear blades carefully.

After operation, clean off the blades with a stiff brush. Then wipe the blades with a cloth. And apply Makita genuine machine oil onto the blade edge and movable part.

► Fig.22

Sharpening blades

Upper shear blade

1. Apply the flat surface of the diamond file to the blade edge.

Push the diamond file towards the tip of the blade to sharpen along the entire blade edge.

Maintain the same flat contact with the file consistently along the entire blade edge.

► Fig.23: 1. Diamond file

2. Apply the flat surface of the diamond file lightly to the opposite side of the blade.

Move the diamond file towards the tip of the blade lightly to remove burrs.

► Fig.24

NOTICE: Do not sharpen this side too much. File lightly only for removing burrs. Otherwise the blade clearance may become too much or the blade life may be shortened.

Lower shear blade

1. Apply the round surface of the diamond file to the blade edge.

Push the diamond file towards the tip of the blade to sharpen along the entire blade edge.

► Fig.25

2. Apply the flat surface of the diamond file lightly to the opposite side of the blade.

Move the diamond file towards the tip of the blade lightly to remove burrs.

► Fig.26

NOTICE: Do not sharpen this side too much. File lightly only for removing burrs. Otherwise the blade clearance may become too much or the blade life may be shortened.

Adjustment for blade clearance

► Fig.27: 1. Plate fixing bolt 2. Lock plate 3. Blades tightening nut

From time to time, adjust the clearance of the shear blades as follows:

1. Switch on the tool, and pull the switch trigger to open the shear blades.

2. With shear blades open, switch off the tool. And disconnect the connection cord from the tool.

3. Loosen the plate fixing bolt. And then remove the lock plate.

4. Adjust the tightness of the blades tightening nut by hand (fastening torque for the blade tightening nut: approximately 0.5 N·m).

5. Install the lock plate and plate fixing bolt again.

6. Check the tightness of the blade whether the blades never rattle but upper blade can be opened or closed about 3mm by hand. If the blades are too tight or loose, adjust the clearance again.

NOTICE: Pay attention to the clearance of the blades. Too loose clearance may result in dull cut, and too tight blade clearance may result in overload for the motor and short running time of the tool.

Removing or installing shear blades

To remove the shear blades, perform following steps:

1. Tilt the opening angle selector lever to the left side first to open the blades fully.

2. Switch on the tool, and pull the switch trigger to open the shear blades.

3. With shear blades open, switch off the tool. And disconnect the connection cord from the tool.

► Fig.28

4. Remove two bolts near the switch trigger with the hex wrench.

Remove the trigger guard by separating the tongue on the trigger guard from the groove of the housing.

► Fig.29: 1. Bolts 2. Trigger guard

5. Remove the E-ring on the link arm with a slotted screwdriver or alike.

► Fig.30: 1. E-ring 2. Link arm

NOTICE: The E-ring is expendable part. Do not re-use the E-ring when reassembling.

6. Carefully remove the pin.

► Fig.31: 1. Pin

7. Remove two bolts from the side of the housing.

► Fig.32: 1. Bolts

8. Carefully remove the upper and lower shears from the housing.

► Fig.33

9. To separate the upper blade and the lower blade, first loosen the plate fixing bolt.

Then remove the lock plate.

► **Fig.34:** 1. Plate fixing bolt 2. Lock plate

10. Loosen and remove the blades tightening nut.

► **Fig.35:** 1. Blade tightening nut 2. Blade tightening bolt

To install the shear blades, perform the procedures above in reverse. Make sure all the bolts are securely tightened.

After installing the blade, always adjust the blade clearance. (Refer to "Adjustment for blade clearance".)

To install the shear blades, perform the procedures above in reverse. When installing the shear blades, pay attention to the following points:

- Apply machine oil or grease on to the blade tightening bolt and between the blades.
- If you can not place the plate fixing bolt properly, first, remove the O-ring and the plate fixing bolt from the lock plate. And then overturn the lock plate, and return the O-ring and the plate fixing bolt.
- When installing the trigger guard, align the tongue of the trigger guard with the groove of the housing.

► **Fig.36**

- Make sure all the bolts are securely tightened.
- After installing the blade, always adjust blade clearance. (Refer to "Adjustment for blade clearance".)
- After installing the blade, always adjust cutting depth. (Refer to "Cutting depth adjustment".)

Trouble shooting

Before making a request for repairs, check for trouble by yourself. If any abnormality is found, control your tool according to the description of this manual. If the remedy mentioned below cannot solve the problem, ask your local authorized service center for repair. Never tamper or dismount any part contrary to the description.

State of abnormality	Probable cause (malfunction)	Remedy
The shear blade does not move even after pulling the switch trigger.	The battery is low.	Charge the battery.
	I/O switch is "Off" position.	Press the I/O switch to "I" position.
	The shears are locked.	Unlock the shears by performing the steps in "Switch action".
	Connection cord is loose.	Check the connecting points of the switch box and shears of connection cord.
	I/O switch is "on" position when inserting the battery cartridge.	Press the I/O switch to the "O" (off) position once, and press the I/O switch to the "I" (on) position again.
	Switch trigger defect.	Stop using the tool immediately, and ask your local authorized service center for repair.

State of abnormality	Probable cause (malfunction)	Remedy
The shear blades are stuck on the branch.	The branch is too thick.	Release the switch trigger. Press the I/O switch to "O" position. Then pull the blades straight out slowly from the branch.
The switch trigger is locked and can not be pulled.	Shear blades are opened forcibly.	Switch off and on with the I/O switch. (The upper shear blade closes slightly when switching on.)
The cut is not smooth.	The shear blades are dull.	Sharpen the shear blades, or adjust blade clearance.
	The shear blades are worn out.	Replace the shear blades.

To maintain product SAFETY and RELIABILITY, repairs, any other maintenance or adjustment should be performed by Makita Authorized or Factory Service Centers, always using Makita replacement parts.

OPTIONAL ACCESSORIES

CAUTION: These accessories or attachments are recommended for use with your Makita tool specified in this manual. The use of any other accessories or attachments might present a risk of injury to persons. Only use accessory or attachment for its stated purpose.

If you need any assistance for more details regarding these accessories, ask your local Makita Service Center.

- Upper shear blade
- Lower shear blade
- Diamond file
- Arm band
- Holster
- Cord holder
- Makita genuine battery and charger

NOTE: Some items in the list may be included in the tool package as standard accessories. They may differ from country to country.

SPÉCIFICATIONS

Modèle :	DUP361	
Capacité max. de coupe	33 mm	
Longueur totale (partie sécateur)	305 mm	
Tension nominale	CC 36 V	
Batterie	BL1815N, BL1820, BL1820B	BL1830, BL1830B, BL1840, BL1840B, BL1850, BL1850B, BL1860B
Poids net (avec sécateur, boîtier de commande, cordon de raccordement, deux batteries et gilet de portage)	3,3 kg	3,8 kg

- Étant donné l'évolution constante de notre programme de recherche et de développement, les spécifications contenues dans ce manuel sont sujettes à modification sans préavis.
- Les spécifications et la batterie peuvent être différentes suivant les pays.
- Poids, avec la batterie, conformément à la procédure EPTA-01/2003

Symboles

Vous trouverez ci-dessous les symboles utilisés pour l'appareil. Veuillez à comprendre leur signification avant toute utilisation.



Lire le mode d'emploi.



Ne pas exposer à l'eau.



Danger ; prendre garde aux projections d'objets.



Tenir les personnes à l'écart.



Pour les pays de l'Union européenne uniquement
Ne jetez pas les appareils électriques ou les batteries avec vos ordures ménagères !
 Conformément aux directives européennes relatives aux déchets d'équipements électriques et électroniques et aux piles et accumulateurs ainsi qu'aux déchets de piles et d'accumulateurs et leur mise en œuvre conformément aux lois nationales, les équipements électriques, les piles et les batteries en fin de vie doivent faire l'objet d'une collecte sélective et être confiés à une usine de recyclage respectueuse de l'environnement.

Utilisations

L'outil est conçu pour tailler des brindilles ou des branches.

Bruit

Niveau de bruit pondéré A typique, déterminé selon EN50636 :

Niveau de pression sonore (L_{pA}) : 70 dB (A) ou moins
 Incertitude (K) : 3,2 dB (A)

Le niveau de bruit en fonctionnement peut dépasser 80 dB (A).

AVERTISSEMENT : Portez un serre-tête antibruit.

Vibrations

Valeur totale de vibrations (somme de vecteur triaxial) déterminée selon EN50636 :

Émission de vibrations (a_{hv}) : 2,5 m/s² ou moins
 Incertitude (K) : 1,5 m/s²

NOTE : La valeur d'émission de vibrations déclarée a été mesurée conformément à la méthode de test standard et peut être utilisée pour comparer les outils entre eux.

NOTE : La valeur d'émission de vibrations déclarée peut aussi être utilisée pour l'évaluation préliminaire de l'exposition.

AVERTISSEMENT : L'émission de vibrations lors de l'usage réel de l'outil électrique peut être différente de la valeur d'émission déclarée, suivant la façon dont l'outil est utilisé.

AVERTISSEMENT : Les mesures de sécurité à prendre pour protéger l'utilisateur doivent être basées sur une estimation de l'exposition dans des conditions réelles d'utilisation (en tenant compte de toutes les composantes du cycle d'utilisation, comme par exemple le moment de sa mise hors tension, lorsqu'il tourne à vide et le moment de son déclenchement).

Déclaration de conformité CE

Pour les pays européens uniquement

Makita déclare que la ou les machines suivantes :
 Désignation de la machine : Sécateur à batterie
 N° de modèle/Type : DUP361

sont conformes aux Directives européennes suivantes : 2006/42/CE

et sont fabriquées conformément aux normes ou aux documents normalisés suivants : EN ISO 12100

La documentation technique conforme à la norme 2006/42/CE est disponible auprès de :

Makita, Jan-Baptist Vinkstraat 2, 3070, Belgique



Yasushi Fukaya
Directeur
Makita, Jan-Baptist Vinkstraat 2, 3070, Belgique

Consignes de sécurité pour sécateur

⚠️ AVERTISSEMENT : Lisez toutes les consignes de sécurité et toutes les instructions. Il y a risque d'électrocution, d'incendie et/ou de graves blessures si les mises en garde et les instructions ne sont pas respectées.

Conservez toutes les mises en garde et instructions pour référence ultérieure.

Le terme « outil électrique » dans les avertissements fait référence à l'outil électrique alimenté par le secteur (avec cordon d'alimentation) ou à l'outil électrique fonctionnant sur batterie (sans cordon d'alimentation).

1. **Utilisez un équipement de protection individuelle. Portez toujours une protection oculaire.** Les équipements de sécurité tels que les masques contre les poussières, les chaussures de sécurité antidérapantes, les casques ou les protecteurs d'oreilles utilisés pour les conditions appropriées réduiront les blessures.
2. **Évitez les démarrages intempestifs. Assurez-vous que l'interrupteur est en position d'arrêt avant de brancher l'outil au secteur et/ou sur la batterie, de le ramasser ou de le porter.** Porter un outil électrique en ayant le doigt sur l'interrupteur ou brancher un outil électrique dont l'interrupteur est en position de marche est source d'accidents.
3. **Portez des vêtements adéquats. Ne portez pas de vêtements amples ni de bijoux. Maintenez cheveux, vêtements et gants à l'écart des pièces en mouvement.** Les pièces en mouvement peuvent happer les vêtements amples, les bijoux ou les cheveux longs.
4. **Cet outil sert à tailler des branches.** Il est formellement déconseillé de l'employer pour un autre usage.
5. **Ne laissez en aucun cas les enfants, les personnes aux facultés physiques, sensorielles ou mentales diminuées ou sans expérience ni expertise ou les personnes qui ne sont pas familiarisées avec ces instructions utiliser l'outil.** Les réglementations locales peuvent limiter l'âge de l'utilisateur.
6. **N'utilisez jamais l'outil en présence de personnes, particulièrement les enfants et animaux domestiques, à proximité.**
7. **Ne vous penchez pas trop loin et maintenez constamment votre équilibre.** Faites toujours attention où vous mettez les pieds sur les terrains en pente et veillez toujours à marcher et à ne jamais courir.

8. **Ne touchez pas les pièces dangereuses en mouvement avant d'avoir débranché l'outil de la prise secteur et/ou d'avoir retiré la batterie de l'outil.**
9. **Portez toujours des chaussures adaptées et un pantalon long pendant l'utilisation de l'outil.**
10. **Coupez l'alimentation et/ou retirez la batterie de l'outil :**
 - lorsque vous laissez l'outil sans surveillance,
 - avant de débloquer l'outil,
 - avant d'effectuer la vérification, le nettoyage ou l'entretien de l'outil,
 - après avoir heurté un corps étranger pour vérifier que l'outil n'est pas endommagé,
 - si l'outil se met à vibrer anormalement, pour procéder à une inspection immédiate.
11. **N'utilisez jamais l'outil sans dispositifs de protection ou de sécurité, ou s'ils sont défectueux, ou si le cordon est endommagé ou usé.**
12. **Évitez d'utiliser l'outil par mauvais temps, particulièrement en cas d'orage.**
13. **N'utilisez pas l'outil ni ne rechargez la batterie sous la pluie.**
14. **Ne laissez pas l'outil sous la pluie ou dans un endroit humide.**
15. **Faites attention à ce qu'aucun corps étranger ne se coince dans les lames.** Si le libre jeu des lames se trouve entravé par un corps étranger, éteignez immédiatement l'outil et retirez la batterie de l'outil. Puis, retirez le corps étranger des lames.
16. **Ne tenez jamais la branche que vous êtes en train de tailler avec votre main libre.** Éloignez votre main libre de la zone de coupe. Ne touchez jamais les lames, car elles sont très affûtées et pourraient vous couper.
17. **Ne forcez jamais sur l'outil pour le faire couper.** Vous risqueriez de glisser et de vous blesser ou de couper autre chose sans le vouloir.
18. **Faites attention de ne pas couper des câbles électriques qui pourraient être dissimulés.**
19. **Examinez soigneusement les lames avant chaque emploi.**
20. **Manipulez les lames avec prudence pour ne pas vous couper ou vous blesser.**
21. **Retirez la batterie de l'outil après chaque utilisation et avant de procéder à une inspection ou un entretien.**
22. **Lorsque l'outil n'est pas utilisé, conservez-le toujours dans sa gaine.**

Utilisation et entretien des outils fonctionnant sur batterie

1. **Rechargez la batterie uniquement avec le chargeur spécifié par le fabricant.** Un chargeur qui est adapté à un type spécifique de batterie peut présenter un risque d'incendie s'il est utilisé avec un autre type de batterie.
2. **Utilisez un outil électrique uniquement avec la batterie spécifiquement indiquée.** L'utilisation de toute autre batterie peut présenter un risque de blessure et d'incendie.

3. Lorsque vous n'utilisez pas la batterie, tenez-la à l'écart des objets métalliques, comme des trombones, pièces de monnaie, clés, clous, vis ou autres petits objets métalliques, susceptibles de créer une connexion entre deux bornes. Court-circuiter les bornes d'une batterie entre elles peut provoquer des brûlures ou un incendie.
4. Dans des conditions d'utilisation inadéquate, il peut y avoir une fuite de l'électrolyte de la batterie. Le cas échéant, évitez tout contact avec ce liquide. En cas de contact accidentel, rincez à l'eau. Si le liquide pénètre dans les yeux, consultez par ailleurs un médecin. Le liquide s'échappant de la batterie peut provoquer une irritation ou des brûlures.
6. Ne rangez pas l'outil et la batterie dans un endroit où la température risque d'atteindre ou de dépasser 50 °C.
7. Ne jetez pas la batterie au feu même si elle est sérieusement endommagée ou complètement épuisée. La batterie peut exploser au contact du feu.
8. Évitez de laisser tomber ou de cogner la batterie.
9. N'utilisez pas la batterie si elle est endommagée.
10. Les batteries au lithium-ion contenues sont soumises aux exigences de la législation sur les marchandises dangereuses.

Lors du transport commercial par des tierces parties ou des transitaires par exemple, des exigences spécifiques en matière d'étiquetage et d'emballage doivent être respectées. Pour la préparation de l'article expédié, il est nécessaire de consulter un expert en matériau dangereux. Veuillez également respecter les réglementations nationales susceptibles d'être plus détaillées. Recouvrez les contacts exposés avec du ruban adhésif ou du ruban de masquage et emballez la batterie de telle sorte qu'elle ne puisse pas bouger dans l'emballage.

11. Suivez les réglementations locales en matière de mise au rebut des batteries.

Dépannage

1. Confiez la réparation de votre outil électrique à un réparateur qualifié qui utilise des pièces de rechange identiques. La sécurité de l'outil électrique sera ainsi préservée.
2. Suivez les instructions pour la lubrification et le remplacement des accessoires.
3. Gardez toutes les poignées sèches, propres et sans trace d'huile ou de graisse.

AVERTISSEMENT : NE vous laissez PAS tromper (au fil d'une utilisation répétée) par un sentiment d'aisance et de familiarité avec le produit, en négligeant le respect rigoureux des consignes de sécurité qui accompagnent le produit en question. La MAUVAISE UTILISATION de l'outil ou l'ignorance des consignes de sécurité indiquées dans ce mode d'emploi peut entraîner de graves blessures.

Consignes de sécurité importantes pour la batterie

1. Avant d'utiliser la batterie, lisez toutes les instructions et précautions relatives (1) au chargeur de batterie, (2) à la batterie, et (3) au produit utilisant la batterie.
2. Ne démontez pas la batterie.
3. Cessez immédiatement l'utilisation si le temps de fonctionnement devient excessivement court. Il y a un risque de surchauffe, de brûlures, voire d'explosion.
4. Si l'électrolyte pénètre dans vos yeux, rincez-les à l'eau claire et consultez immédiatement un médecin. Il y a un risque de perte de la vue.
5. Ne court-circuitez pas la batterie :
 - (1) Ne touchez les bornes avec aucun matériau conducteur.
 - (2) Évitez de ranger la batterie dans un conteneur avec d'autres objets métalliques, par exemple des clous, des pièces de monnaie, etc.
 - (3) N'exposez pas la batterie à l'eau ou à la pluie.

Un court-circuit de la batterie peut provoquer une intensité de courant élevée, une surchauffe, parfois des brûlures et même une panne.

CONSERVEZ CES INSTRUCTIONS.

ATTENTION : N'utilisez que des batteries Makita d'origine. L'utilisation de batteries de marque autre que Makita ou de batteries modifiées peut provoquer l'explosion des batteries, ce qui présente un risque d'incendie, de dommages matériels et corporels. Cela annulera également la garantie Makita pour l'outil et le chargeur Makita.

Conseils pour assurer la durée de vie optimale de la batterie

1. Chargez la batterie avant qu'elle ne soit complètement déchargée. Arrêtez toujours l'outil et rechargez la batterie quand vous remarquez que la puissance de l'outil diminue.
2. Ne rechargez jamais une batterie complètement chargée. La surcharge réduit la durée de service de la batterie.
3. Chargez la batterie à une température ambiante comprise entre 10 °C et 40 °C. Avant de charger une batterie chaude, laissez-la refroidir.
4. Rechargez la batterie si elle est restée inutilisée pendant une période prolongée (plus de six mois).

Repère N

Le Repère N est une marque déposée ou non de NFC Formula, Inc. aux États-Unis et dans d'autres pays à travers le monde.

DESCRIPTION DES PIÈCES

► Fig.1

1	Harnais	2	Gilet de portage	3	Boîtier de commande	4	Lampe témoin (rouge)
5	Lampe témoin (verte)	6	Interrupteur I/O	7	Gaine	8	Porte-cordon
9	Cordon de raccordement	10	Sécateur	11	Gâchette	-	-

DESCRIPTION DU FONCTIONNEMENT

⚠ ATTENTION : Assurez-vous toujours que l'outil est hors tension et que sa batterie est retirée avant de l'ajuster ou de vérifier son fonctionnement.

Insertion ou retrait de la batterie

⚠ ATTENTION : Éteignez toujours l'outil avant de mettre en place ou de retirer la batterie.

⚠ ATTENTION : Tenez fermement l'outil et la batterie lors de la mise en place ou du retrait de la batterie. Si vous ne tenez pas fermement l'outil et la batterie, ils peuvent vous glisser des mains, et s'abîmer ou vous blesser.

► Fig.2: 1. Voyant rouge 2. Bouton 3. Batterie 4. Porte-batterie

Pour retirer la batterie, faites-la glisser hors de l'outil tout en faisant glisser le bouton à l'avant de la batterie.

Pour mettre en place la batterie, alignez la languette sur la batterie avec la rainure sur le compartiment et insérez-la. Insérez-la à fond jusqu'à ce qu'un léger dé clic se fasse entendre. Si le voyant rouge sur le dessus du bouton est visible, cela signifie qu'elle n'est pas bien verrouillée.

⚠ ATTENTION : Insérez toujours complètement la batterie jusqu'à ce que le voyant rouge ne soit plus visible. Sinon, elle pourrait tomber accidentellement de l'outil, au risque de vous blesser ou de blesser quelqu'un se trouvant près de vous.

⚠ ATTENTION : N'insérez pas la batterie de force. Si elle ne glisse pas facilement, c'est que vous ne l'insérez pas correctement.

NOTE : L'outil ne fonctionne pas avec une seule batterie.

Système de protection de l'outil/la batterie

L'outil est équipé d'un système de protection de l'outil/la batterie. Ce système coupe automatiquement l'alimentation vers le moteur pour prolonger la durée de vie de l'outil et de la batterie. Si l'outil ou la batterie se trouve dans l'une des situations suivantes, l'outil cessera automatiquement de fonctionner. Dans certaines conditions, les lampes témoins sur le boîtier de commande s'allument.

Protection contre la surcharge

Lorsque l'outil est utilisé d'une manière provoquant un appel de courant anormalement élevé, l'outil s'arrête automatiquement sans indication. Dans ce cas, éteignez l'outil et arrêtez la tâche ayant provoqué la surcharge de l'outil. Puis rallumez l'outil pour reprendre la tâche.

Protection contre la surchauffe

En cas de surchauffe de l'outil, celui-ci s'arrête automatiquement, et la lampe témoin verte sur le boîtier de commande clignote. Dans ce cas, laissez l'outil refroidir avant de le rallumer.

Protection contre la décharge totale de la batterie

Lorsque la charge restante de la batterie devient très faible, l'outil s'arrête automatiquement. Et la lampe témoin rouge sur le boîtier de commande s'allume ou clignote. Si le produit ne fonctionne pas même en actionnant les interrupteurs, retirez les batteries du porte-batterie et chargez-les.

Indication de la charge restante de la batterie

Uniquement pour les batteries dont le numéro de modèle se termine par « B »

► Fig.3: 1. Témoins 2. Bouton de vérification

Appuyez sur le bouton de vérification sur la batterie pour indiquer la charge restante de la batterie. Les témoins s'allument pendant quelques secondes.

Témoins			Charge restante
Allumé	Éteint	Clignotant	
■ ■ ■ ■			75 % à 100 %
■ ■ ■ □			50 % à 75 %
■ ■ □ □			25 % à 50 %
■ □ □ □			0 % à 25 %
▣ □ □ □			Chargez la batterie.
■ ■ □ □			Anomalie possible de la batterie.
□ □ ■ ■			

NOTE : Selon les conditions d'utilisation et la température ambiante, l'indication peut être légèrement différente de la capacité réelle.

Interrupteur

⚠ ATTENTION : Avant de raccorder la batterie au sécateur, vérifiez toujours que la gâchette fonctionne correctement et qu'elle revient sur la position « OFF » (arrêt) quand vous la relâchez.

⚠ ATTENTION : Lorsque vous n'utilisez pas l'outil, assurez-vous toujours que l'interrupteur I/O est placé sur le côté « O » (arrêt).

⚠ ATTENTION : N'appuyez pas sur la position « I » (marche) de l'interrupteur I/O tout en enclenchant la gâchette. La lame se refermera légèrement, ce qui présente un risque de blessure corporelle.

Pour allumer l'outil, procédez comme suit :

1. Raccordez le boîtier de commande, le cordon de raccordement et le sécateur. (Voir « Mise en place du cordon de raccordement ».)

2. Tenez fermement le sécateur et appuyez sur la position « I » (marche) de l'interrupteur I/O. La lampe témoin verte s'allume.

► Fig.4: 1. Interrupteur I/O 2. Lampe témoin (verte)
3. Lampe témoin (rouge)

3. Les lames du sécateur sont en mode verrouillé lorsque l'interrupteur I/O est sur marche. Pour libérer le verrou, enclenchez deux fois la gâchette. La lame supérieure du sécateur s'ouvre automatiquement.

4. Pour refermer la lame du sécateur, enclenchez la gâchette.

► Fig.5: 1. Gâchette

Basculement automatique entre le mode verrouillé et le mode de coupure

Par mesure de sécurité, l'outil bascule automatiquement en mode verrouillé ou en mode de coupure si l'outil n'est pas utilisé pendant une durée déterminée.

Au bout de 5 minutes : L'outil bascule en mode verrouillé. Enclenchez deux fois la gâchette pour libérer le verrou.

Au bout de 15 minutes : L'outil bascule en mode de coupure, et la lampe témoin verte s'éteint. Appuyez sur la position « O » (arrêt) de l'interrupteur I/O, puis appuyez à nouveau sur la position « I » (marche) et ensuite enclenchez deux fois la gâchette pour libérer le verrou.

Sélecteur de l'angle d'ouverture

► Fig.6: 1. Sélecteur de l'angle d'ouverture

En inclinant le sélecteur de l'angle d'ouverture vers la gauche, vous pouvez ouvrir davantage la lame supérieure du sécateur.

Pour limiter l'angle d'ouverture de la lame supérieure du sécateur, enclenchez d'abord à fond la gâchette, puis ramenez le sélecteur de l'angle d'ouverture sur la position droite.

Réglage de la profondeur de coupe

⚠ ATTENTION : Ne laissez pas vos mains ou une partie de votre corps à proximité des lames du sécateur. Vous risqueriez autrement de vous blesser.

Après avoir affûté ou remplacé la lame du sécateur, réglez la profondeur de coupe au besoin. Allumez l'outil et enclenchez deux fois la gâchette pour ouvrir les lames du sécateur, puis appuyez sur la position « O » (arrêt) de l'interrupteur I/O.

Pour élargir la profondeur de coupe, tournez la vis de réglage de la profondeur de coupe dans le sens des aiguilles d'une montre avec la clé hexagonale. Tandis que pour rétrécir la profondeur de coupe, tournez la vis de réglage de la profondeur de coupe dans le sens inverse des aiguilles d'une montre.

► Fig.7: 1. Vis de réglage de la profondeur de coupe

NOTE : Vérifiez la profondeur de coupe après réglage. Si la profondeur de coupe est trop faible, la branche risque de ne pas être coupée complètement.

Lampes témoins sur le boîtier de commande

► Fig.8: 1. Interrupteur I/O 2. Lampe témoin (verte)
3. Lampe témoin (rouge)

Les lampes témoins verte et rouge indiquent ce qui suit :

(Allumée : ● Éteinte : ○ Clignotante : ☀)


- Lampe témoin verte allumée : l'outil est sous tension.

Verte	Rouge
●	○

- La lampe témoin verte et la lampe témoin rouge s'allument : si vous insérez la batterie dans le porte-batterie avec l'interrupteur I/O sur la position « I » (marche), les deux lampes témoins s'allument et la lame ne se déplace pas même si vous enclenchez la gâchette. Dans ce cas, appuyez sur la position « O » (arrêt) de l'interrupteur I/O, puis appuyez à nouveau sur la position « I » (marche).

Verte	Rouge
●	●

- Lampe témoin verte clignotante : l'outil surchauffe. Laissez l'outil refroidir avant de le rallumer.

	Verte	Rouge
	☀	○

- La lampe témoin verte est allumée et la lampe témoin rouge clignote ou est allumée : la batterie est faible ou presque épuisée. Chargez les batteries. Lorsque l'une des batteries devient faible, la lampe témoin rouge clignote même si l'autre batterie est pleine.

	Verte	Rouge
	●	☀ / ●

- La lampe témoin verte et la lampe témoin rouge clignotent en alternance : l'outil détecte une rupture de fils. Vérifiez s'il n'y a pas une mauvaise connexion du cordon de raccordement entre le boîtier de commande et le sècheateur. Si les lampes témoins continuent de clignoter en alternance, cessez immédiatement d'utiliser l'outil, débranchez le cordon de raccordement, retirez la batterie et faites réparer l'outil par votre centre d'entretien local agréé.

	Les lampes témoins clignotent en alternance
	○ ● ↔ ● ○

ASSEMBLAGE

ATTENTION : Assurez-vous toujours que l'outil est hors tension et que sa batterie est retirée avant d'effectuer toute tâche dessus.

Installation du porte-batterie dans le gilet de portage

► **Fig.9:** 1. Boucle 2. Porte-batterie 3. Courroie

- Faites passer le boîtier de commande par l'ouverture (droite ou gauche) du gilet de portage.
- Faites passer la courroie par l'orifice carré du porte-batterie et maintenez en place le porte-batterie avec la courroie. Assurez-vous que le porte-batterie repose fermement dans le gilet de portage.

Installation de la gaine

► **Fig.10:** 1. Gaine 2. Courroie

Faites passer la courroie de la boucle inférieure par l'ouverture de la gaine.

Réglage du harnais

Réglez le harnais comme suit :

- Fermez et verrouillez la boucle inférieure et ajustez sa longueur de courroie.
► **Fig.11:** 1. Boucle inférieure
- Ajustez la longueur des bretelles.
► **Fig.12**
- Ajustez la position de la boucle supérieure. Fermez et verrouillez la boucle supérieure et ajustez sa longueur de courroie.
► **Fig.13:** 1. Boucle supérieure

ATTENTION : En cas d'urgence, ouvrez rapidement la boucle inférieure et la boucle supérieure, desserrez les bretelles et posez le gilet.

Mise en place du cordon de raccordement

ATTENTION : Assurez-vous toujours que l'interrupteur I/O du boîtier de commande se trouve sur le côté « O » avant de fixer le cordon de raccordement.

ATTENTION : N'utilisez pas l'outil si le cordon de raccordement est endommagé.

REMARQUE : Ne maltraitez pas le cordon de raccordement. Ne transportez pas l'outil en tirant sur le cordon de raccordement. Tenez le cordon de raccordement à l'écart de sources de chaleur, de l'huile ou de bords tranchants. Autrement, le cordon de raccordement pourrait être endommagé.

Fixez le cordon de raccordement au boîtier de commande et au sècheateur comme suit :

- Commencez par aligner les repères triangulaires de la fiche mâle du cordon de raccordement sur le repère triangulaire du connecteur femelle du boîtier de commande. Enfoncez la fiche du cordon de raccordement dans le connecteur du boîtier de commande. Ensuite, alignez la marque sur le raccord sur les repères triangulaires, puis enfoncez et tournez le raccord pour le serrer.

► **Fig.14:** 1. Repère triangulaire 2. Cordon de raccordement 3. Boîtier de commande 4. Marque sur le raccord 5. Raccord

REMARQUE : Tournez le raccord et alignez la marque sur le raccord sur les repères triangulaires en premier lors du retrait du cordon de raccordement.

- Accrochez le boîtier de commande sur la ceinture ou la courroie supérieure.
► **Fig.15**
- Poussez le cordon de raccordement dans la boucle du porte-cordon.
► **Fig.16**

Accrochez le porte-cordon sur la courroie supérieure ou sur la ceinture à laquelle le boîtier de commande n'est pas accroché.

Le porte-cordon empêche le cordon de raccordement de s'enrouler autour de votre corps et évite également que le cordon de raccordement ne soit coupé par erreur.

► **Fig.17**

► **Fig.18**

REMARQUE : N'accrochez rien d'autre que le cordon de raccordement au porte-cordon. Autrement le porte-cordon pourrait se rompre.

REMARQUE : Ne forcez pas l'ouverture du porte-cordon. Autrement, vous risquez de déformer ou de rompre le porte-cordon.

- Placez l'attache de bras sur votre bras. Faites glisser le cordon de raccordement dans l'attache de bras.

► **Fig.19:** 1. Attache de bras

5. Commencez par aligner les repères triangulaires de la prise femelle du cordon de raccordement sur le repère triangulaire du connecteur mâle du sécateur. Enfoncez la prise du cordon de raccordement dans le connecteur du sécateur. Ensuite, alignez la marque sur le raccord sur les repères triangulaires, puis enfoncez et tournez le raccord pour le serrer.

► **Fig.20:** 1. Repère triangulaire 2. Cordon de raccordement 3. Sécateur 4. Marque sur le raccord 5. Raccord

REMARQUE : Tournez le raccord et alignez la marque sur le raccord sur les repères triangulaires en premier lors du retrait du cordon de raccordement.

Rangement du sécateur dans la gaine

Continuez à enclencher la gâchette pour refermer les lames du sécateur et appuyez sur le côté « O » de l'interrupteur I/O pour éteindre l'outil. Placez ensuite le sécateur dans la gaine et retenez-le avec la courroie de la gaine.

UTILISATION

⚠ATTENTION : Tenez toujours fermement l'outil. Et tenez-vous bien sur les deux jambes.

⚠ATTENTION : Ne placez aucune partie du corps à proximité des lames pendant le fonctionnement.

⚠ATTENTION : Avant toute utilisation, vérifiez que les lames, les boulons de lame ou d'autres pièces ne sont pas usés ou endommagés.

Remplacez les pièces usées ou endommagées pour un fonctionnement sans danger.

REMARQUE : Si la lame se coince dans une branche pendant le fonctionnement, ne tordez pas la lame. Dans ce cas, éteignez l'outil et retirez lentement et tout droit la lame de la branche. Autrement, la lame pourrait être endommagée.

REMARQUE : Si vous coupez des branches trop épaisses ou quelque chose de dur, la protection contre la surcharge se déclenche et l'outil s'arrête. Dans ce cas, si la lame supérieure du sécateur est trop ouverte et si la gâchette est enclenchée à fond, la lame supérieure se referme légèrement lorsque vous appuyez sur la position « I » (marche) de l'interrupteur I/O pour redémarrer l'outil.

Élagage

► **Fig.21**

Coupez les branches une par une. Avec ce sécateur, vous pouvez couper des branches d'une épaisseur maximale de 33 mm environ. Maintenez constamment une bonne assise et un bon équilibre.

Après l'utilisation

Refermez les lames du sécateur, appuyez sur la position « O » (arrêt) de l'interrupteur I/O et débranchez le cordon de raccordement du sécateur et du boîtier de commande, puis retirez les batteries du porte-batterie. Rangez le sécateur dans un lieu sec, en hauteur ou verrouillé – hors de portée des jeunes enfants.

REMARQUE : Retirez la batterie lorsque vous n'utilisez pas le sécateur. Autrement, la capacité de la batterie réduira avec le temps.

ENTRETIEN

⚠ATTENTION : Assurez-vous toujours que l'outil est hors tension et que la batterie est retirée avant d'y effectuer tout travail d'inspection ou d'entretien.

⚠ATTENTION : Portez des gants de sécurité lorsque vous manipulez la lame. Vous risqueriez autrement de vous blesser.

REMARQUE : N'utilisez jamais d'essence, benzine, diluant, alcool ou autre produit similaire. Cela risquerait de provoquer la décoloration, la déformation ou la fissuration de l'outil.

Entretien de la lame

REMARQUE : Si vous n'entretenez pas suffisamment les lames, cela provoquera une friction excessive des lames et réduira la durée de fonctionnement par recharge de la batterie.

Avant et après l'utilisation, vérifiez attentivement les lames du sécateur.

Après l'utilisation, nettoyez les lames avec une brosse dure. Puis essuyez-les avec un chiffon. Et appliquez de l'huile machine Makita authentique sur le bord de la lame et la pièce mobile.

► **Fig.22**

Affûtage des lames

Lame supérieure du sécateur

1. Appliquez la partie plate de la lime diamantée sur le bord de la lame.

Déplacez la lime diamantée vers la pointe de la lame pour que l'affûtage soit pratiqué sur toute le bord de la lame.

Maintenez la lime bien à plat sur tout le bord de la lame.

► **Fig.23:** 1. Lime diamantée

2. Appliquez légèrement la partie plate de la lime diamantée sur l'envers de la lame.

Déplacez légèrement la lime diamantée vers la pointe de la lame pour enlever le morfil.

► **Fig.24**

REMARQUE : N'affûtez pas trop ce côté. Limez légèrement uniquement pour enlever le morfil. Autrement, le jeu entre les lames pourrait devenir trop important ou la durée de vie de la lame être réduite.

Lame inférieure du sécateur

1. Appliquez la partie ronde de la lime diamantée sur le bord de la lame.

Déplacez la lime diamantée vers la pointe de la lame pour que l'affûtage soit pratiqué sur toute le bord de la lame.

► Fig.25

2. Appliquez légèrement la partie plate de la lime diamantée sur l'envers de la lame.

Déplacez légèrement la lime diamantée vers la pointe de la lame pour enlever le morfil.

► Fig.26

REMARQUE : N'affûtez pas trop ce côté. Limez légèrement uniquement pour enlever le morfil. Autrement, le jeu entre les lames pourrait devenir trop important ou la durée de vie de la lame être réduite.

Réglage du jeu entre les lames

► Fig.27: 1. Boulon de fixation de la plaque 2. Plaque pivot 3. Écrou de serrage des lames

Occasionnellement, réglez le jeu entre les lames du sécateur comme suit :

1. Allumez l'outil et enclenchez la gâchette pour ouvrir les lames du sécateur.

2. Avec les lames du sécateur ouvertes, éteignez l'outil. Et débranchez le cordon de raccordement de l'outil.

3. Desserrez le boulon de fixation de la plaque. Puis retirez la plaque pivot.

4. Réglez manuellement le serrement de l'écrou de serrage des lames (couple de serrage pour l'écrou de serrage des lames : environ 0,5 N•m).

5. Remettez en place la plaque pivot et le boulon de fixation de la plaque.

6. Vérifiez le serrage de la lame en vous assurant que les lames ne s'entrechoquent pas, mais que la lame supérieure peut être ouverte ou fermée manuellement d'environ 3 mm. Si les lames sont trop serrées ou lâches, réglez à nouveau le jeu.

REMARQUE : Portez attention au jeu entre les lames. Un jeu trop important peut affecter la qualité de la coupe, tandis qu'un jeu trop faible peut entraîner une surcharge du moteur et réduire la durée de fonctionnement de l'outil.

Retrait ou mise en place des lames du sécateur

Pour retirer les lames du sécateur, exécutez les étapes suivantes :

1. Inclinez d'abord le sélecteur de l'angle d'ouverture vers la gauche pour ouvrir complètement les lames.

2. Allumez l'outil et enclenchez la gâchette pour ouvrir les lames du sécateur.

3. Avec les lames du sécateur ouvertes, éteignez l'outil. Et débranchez le cordon de raccordement de l'outil.

► Fig.28

4. Retirez les deux boulons près de la gâchette avec la clé hexagonale.

Retirez le carter de protection de la gâchette en séparant la languette sur le carter de protection de la rainure du logement.

► Fig.29: 1. Boulons 2. Carter de protection de la gâchette

5. Retirez l'anneau de retenue de type E du bras de liaison avec un tournevis plat ou similaire.

► Fig.30: 1. Anneau de retenue de type E 2. Bras de liaison

REMARQUE : L'anneau de retenue de type E est une pièce d'usure. Ne réutilisez pas l'anneau de retenue de type E lors du remontage.

6. Retirez avec précaution la broche.

► Fig.31: 1. Broche

7. Retirez les deux boulons du côté du logement.

► Fig.32: 1. Boulons

8. Retirez avec précaution le sécateur supérieur et inférieur du logement.

► Fig.33

9. Pour séparer la lame supérieure et la lame inférieure, commencez par desserrer le boulon de fixation de la plaque.

Puis retirez la plaque pivot.

► Fig.34: 1. Boulon de fixation de la plaque 2. Plaque pivot

10. Desserrez et retirez l'écrou de serrage des lames.

► Fig.35: 1. Écrou de serrage des lames 2. Boulon de serrage des lames

Pour installer les lames du sécateur, exécutez les procédures ci-dessus dans l'ordre inverse. Assurez-vous que tous les boulons sont solidement serrés.

Après avoir installé la lame, réglez toujours le jeu entre les lames. (Voir « Réglage du jeu entre les lames ».)

Pour installer les lames du sécateur, exécutez les procédures ci-dessus dans l'ordre inverse. Lors de la mise en place des lames du sécateur, prêtez attention aux points suivants :

- Appliquez de l'huile machine ou de la graisse sur le boulon de serrage des lames et entre les lames.
- Si vous ne parvenez pas à placer correctement le boulon de fixation de la plaque, commencez par retirer le joint torique et le boulon de fixation de la plaque de la plaque pivot. Puis retournez la plaque pivot et remettez en place le joint torique et le boulon de fixation de la plaque.
- Lorsque vous installez le carter de protection de la gâchette, alignez la languette du carter de protection sur la rainure du logement.

► Fig.36

- Assurez-vous que tous les boulons sont solidement serrés.
- Après avoir installé la lame, réglez toujours le jeu entre les lames. (Voir « Réglage du jeu entre les lames ».)
- Après avoir installé la lame, réglez toujours la profondeur de coupe. (Voir « Réglage de la profondeur de coupe ».)

Guide de dépannage

Avant de solliciter des réparations, vérifiez vous-même l'anomalie. Si vous trouvez une anomalie, contrôlez votre outil d'après les descriptions fournies dans ce manuel. Si la solution indiquée ci-dessous ne permet pas de résoudre le problème, confiez l'outil à votre centre d'entretien local agréé. Ne modifiez, ni ne démontez jamais les pièces contrairement à ce qui est expliqué dans ce manuel.

État d'anomalie	Cause probable (dysfonctionnement)	Solution
La lame du sécateur ne bouge pas même après enclenché la gâchette.	La batterie est faible.	Rechargez la batterie.
	L'interrupteur I/O est sur la position « O » (arrêt).	Appuyez sur la position « I » (marche) de l'interrupteur I/O.
	Le sécateur est verrouillé.	Déverrouillez le sécateur en exécutant les étapes de « Interrupteur ».
	Le cordon de raccordement est lâche.	Vérifiez les points de connexion du cordon de raccordement entre boîtier de commande et le sécateur.
	L'interrupteur I/O est sur la position « marche » lorsque vous insérez la batterie.	Appuyez sur la position « O » (arrêt) de l'interrupteur I/O, puis appuyez à nouveau sur la position « I » (marche).
	Défaillance de la gâchette.	Arrêtez immédiatement d'utiliser l'outil et faites-le réparer par votre centre d'entretien local agréé.
Les lames du sécateur sont coincées dans une branche.	La branche est trop épaisse.	Relâchez la gâchette. Appuyez sur la position « O » (arrêt) de l'interrupteur I/O. Puis retirez lentement et tout droit les lames de la branche.
La gâchette est verrouillée et ne peut pas être enclenchée.	Les lames du sécateur sont ouvertes avec force.	Éteignez et allumez l'outil avec l'interrupteur I/O. (La lame supérieure du sécateur se ferme légèrement à la mise sous tension.)
La coupe est irrégulière.	Les lames du sécateur sont émoussées.	Aiguiser les lames du sécateur ou réglez le jeu entre les lames.
	Les lames du sécateur sont usées.	Remplacez les lames du sécateur.

Pour assurer la SÉCURITÉ et la FIABILITÉ du produit, toute réparation, tout travail d'entretien ou de réglage doivent être effectués par un centre d'entretien Makita agréé, avec des pièces de rechange Makita.

ACCESSOIRES EN OPTION

ATTENTION : Ces accessoires ou pièces complémentaires sont recommandés pour l'utilisation avec l'outil Makita spécifié dans ce mode d'emploi. L'utilisation de tout autre accessoire ou pièce complémentaire peut comporter un risque de blessure. N'utilisez les accessoires ou pièces complémentaires qu'aux fins auxquelles ils ont été conçus.

Pour obtenir plus de détails sur ces accessoires, contactez votre centre d'entretien local Makita.

- Lame supérieure du sécateur
- Lame inférieure du sécateur
- Lime diamantée
- Attache de bras
- Gaine
- Porte-cordon
- Batterie et chargeur Makita d'origine

NOTE : Il se peut que certains éléments de la liste soient compris dans l'emballage de l'outil en tant qu'accessoires standard. Ils peuvent varier d'un pays à l'autre.






TECHNISCHE DATEN

Modell:	DUP361	
Max. Schnittleistung	33 mm	
Gesamtlänge (Scherenteil)	305 mm	
Nennspannung	Gleichstrom 36 V	
Akku	BL1815N, BL1820, BL1820B	BL1830, BL1830B, BL1840, BL1840B, BL1850, BL1850B, BL1860B
Nettogewicht (mit Schere, Schaltkasten, Verbindungskabel, zwei Akkus und Rucksack)	3,3 kg	3,8 kg

- Wir behalten uns vor, Änderungen der technischen Daten im Zuge der Entwicklung und des technischen Fortschritts ohne vorherige Ankündigung vorzunehmen.
- Die technischen Daten und der Akku können von Land zu Land unterschiedlich sein.
- Gewicht mit Akku nach EPTA-Verfahren 01/2003

Symbole

Nachfolgend werden die für das Gerät verwendeten Symbole beschrieben. Machen Sie sich vor der Benutzung mit ihrer Bedeutung vertraut.

	Betriebsanleitung lesen.
	Keiner Feuchtigkeit aussetzen.
	Gefahr durch herausgeschleuderte Objekte.
	Umstehende Personen fern halten.
 Cd Ni-MH Li-ion	Nur für EU-Länder Werfen Sie Elektrogeräte oder Akkus nicht in den Hausmüll! Unter Einhaltung der Europäischen Richtlinie über Elektro- und Elektronik-Altgeräte, Batterien, Akkus sowie verbrauchte Batterien und Akkus und ihre Umsetzung gemäß den Landesgesetzen müssen Elektrogeräte und Batterien bzw. Akkus, die das Ende ihrer Lebensdauer erreicht haben, getrennt gesammelt und einer umweltgerechten Recycling-Einrichtung zugeführt werden.

Vorgesehene Verwendung

Das Werkzeug ist für das Abschneiden von Zweigen oder Ästen vorgesehen.

Geräusch

Typischer A-bewerteter Geräuschpegel ermittelt gemäß EN50636:

Schalldruckpegel (L_{pA}): 70 dB (A) oder weniger
Messunsicherheit (K): 3,2 dB (A)

Der Geräuschpegel kann während des Betriebs 80 dB (A) überschreiten.

⚠️ WARNUNG: Einen Gehörschutz tragen.

Schwingungen

Schwingungsgesamtwert (Drei-Achsen-Vektorsumme) ermittelt gemäß EN50636:

Schwingungsemission (a_h): 2,5 m/s² oder weniger
Messunsicherheit (K): 1,5 m/s²

HINWEIS: Der angegebene Schwingungsemissionswert wurde im Einklang mit der Standardprüfmethode gemessen und kann für den Vergleich zwischen Werkzeugen herangezogen werden.

HINWEIS: Der angegebene Schwingungsemissionswert kann auch für eine Vorbewertung des Gefährdungsgrads verwendet werden.

⚠️ WARNUNG: Die Schwingungsemission während der tatsächlichen Benutzung des Elektrowerkzeugs kann je nach der Benutzungsweise des Werkzeugs vom angegebenen Emissionswert abweichen.

⚠️ WARNUNG: Identifizieren Sie Sicherheitsmaßnahmen zum Schutz des Benutzers anhand einer Schätzung des Gefährdungsgrads unter den tatsächlichen Benutzungsbedingungen (unter Berücksichtigung aller Phasen des Arbeitszyklus, wie z. B. Ausschalt- und Leerlaufzeiten des Werkzeugs zusätzlich zur Betriebszeit).

EG-Konformitätserklärung

Nur für europäische Länder

Makita erklärt, dass die folgende(n) Maschine(n):
Bezeichnung der Maschine: Akku-Astschere
Modell-Nr./Typ: DUP361

Entspricht den folgenden europäischen Richtlinien:
2006/42/EG

Sie werden gemäß den folgenden Standards oder standardisierten Dokumenten hergestellt: EN ISO 12100
Die technische Akte in Übereinstimmung mit 2006/42/EG ist erhältlich von:



Yasushi Fukaya
Direktor
Makita, Jan-Baptist Vinkstraat 2, 3070, Belgien

Sicherheitswarnungen für Astschere

⚠️ WARNUNG: Lesen Sie alle Sicherheitswarnungen und Anweisungen durch. Eine Missachtung der unten aufgeführten Warnungen und Anweisungen kann zu einem elektrischen Schlag, Brand und/oder schweren Verletzungen führen.

Bewahren Sie alle Warnungen und Anweisungen für spätere Bezugnahme auf.

Der Ausdruck „Elektrowerkzeug“ in den Warnhinweisen bezieht sich auf Ihr mit Netzstrom (mit Kabel) oder Akku (ohne Kabel) betriebenes Elektrowerkzeug.

- Benutzen Sie persönliche Schutzausrüstung. Tragen Sie stets einen Augenschutz.** Sachgemäßer Gebrauch von Schutzausrüstung (z. B. Staubmaske, rutschfeste Sicherheitsschuhe, Helm und Gehörschutz) trägt zu einer Reduzierung der Verletzungsgefahr bei.
- Unbeabsichtigtes Einschalten verhüten. Vergewissern Sie sich, dass sich der Ein-Aus-Schalter in der Aus-Stellung befindet, bevor Sie die Stromquelle und/oder den Akku anschließen bzw. das Werkzeug aufheben oder tragen.** Das Tragen von Elektrowerkzeugen mit dem Finger am Ein-Aus-Schalter oder das Anschließen bei eingeschaltetem Ein-Aus-Schalter führt zu Unfällen.
- Zweckmäßige Kleidung tragen. Tragen Sie keine lose Kleidung oder Schmuck. Halten Sie Haare, Kleidung und Handschuhe von beweglichen Teilen fern.** Lose Kleidung, Schmuck oder langes Haar kann sich in beweglichen Teilen verfangen.
- Dieses Werkzeug dient zum Abschneiden von Ästen.** Verwenden Sie das Werkzeug für keine Arbeit, die nicht bestimmungsgemäß ist.
- Lassen Sie niemals zu, dass Kinder, Personen mit verminderten körperlichen, sensorischen oder geistigen Fähigkeiten oder Mangel an Erfahrung und Kenntnissen, oder Personen, die nicht mit diesen Anweisungen vertraut sind, das Werkzeug benutzen.** Örtliche Vorschriften können das Alter der Bedienungsperson einschränken.
- Betreiben Sie das Werkzeug keinesfalls, während sich Personen, besonders Kinder, oder Haustiere in der Nähe aufhalten.**
- Übernehmen Sie sich nicht, und behalten Sie stets Ihr Gleichgewicht bei.** An Hängen stets auf sicheren Stand achten. Immer nur gehen, niemals laufen.

- Berühren Sie keine beweglichen gefährlichen Teile, bevor Sie das Werkzeug vom Stromnetz getrennt und/oder den Akku vom Werkzeug abgenommen haben.**
- Tragen Sie immer kräftiges Schuhwerk und lange Hosen während der Benutzung des Werkzeugs.**
- Trennen Sie die Stromversorgung ab und/oder trennen Sie den Akku vom Werkzeug:**
 - wann immer Sie das Werkzeug liegen lassen,
 - bevor Sie eine Blockierung beseitigen,
 - bevor Sie das Werkzeug überprüfen, reinigen oder daran arbeiten,
 - nachdem Sie auf einen Fremdkörper gestoßen sind, um das Werkzeug auf Beschädigung zu untersuchen,
 - falls das Werkzeug beginnt, ungewöhnlich heftig zu vibrieren, um es sofort zu überprüfen.
- Betreiben Sie das Werkzeug niemals mit defekten Schutzhauben oder Abschirmungen oder ohne Sicherheitsvorrichtungen, oder wenn das Kabel beschädigt oder abgenutzt ist.**
- Vermeiden Sie die Benutzung des Werkzeugs bei schlechten Witterungsverhältnissen, besonders bei Blitzschlaggefahr.**
- Unterlassen Sie die Benutzung des Werkzeugs oder Laden des Akkus bei Regen.**
- Lassen Sie das Werkzeug nicht im Regen oder an feuchten Orten liegen.**
- Achten Sie darauf, dass keine Fremdkörper zwischen den Messern hängen bleiben.** Falls die Messer durch Fremdkörper blockiert sind, schalten Sie das Werkzeug sofort aus, und trennen Sie den Akku vom Werkzeug. Entfernen Sie dann den Fremdkörper von den Messern.
- Halten Sie niemals den Ast, den Sie abschneiden, mit Ihrer freien Hand.** Halten Sie Ihre freie Hand vom Schnittbereich fern. Berühren Sie niemals die Messer. Sie sind sehr scharf und können Verletzungen verursachen.
- Wenden Sie keine Gewalt auf das Werkzeug an, um Schnitte auszuführen.** Sie könnten sonst abrutschen und sich selbst verletzen oder einen anderen Gegenstand unbeabsichtigt schneiden.
- Vermeiden Sie das Durchtrennen von verborgenen elektrischen Leitungen.**
- Unterziehen Sie die Messer vor dem Betrieb einer sorgfältigen Überprüfung.**
- Behandeln Sie die Messer mit äußerster Sorgfalt, um Schnitte oder Verletzungen durch die Messer zu verhüten.**
- Trennen Sie den Akku nach jeder Benutzung und vor jeglichen Inspektions- oder Wartungsarbeiten vom Werkzeug ab.**
- Bewahren Sie das Werkzeug bei Nichtbenutzung immer in seinem Halfter auf.**

Gebrauch und Pflege von Akkuwerkzeugen

- Laden Sie den Akku nur mit dem vom Hersteller vorgeschriebenen Ladegerät.** Ein Ladegerät, das für einen Akkutyp geeignet ist, kann bei Verwendung mit einem anderen Akku eine Brandgefahr darstellen.
- Benutzen Sie Elektrowerkzeuge nur mit den ausdrücklich vorgeschriebenen Akkus.** Bei Verwendung irgendwelcher anderer Akkus besteht Verletzungs- und Brandgefahr.

3. **Bewahren Sie den Akku bei Nichtgebrauch nicht zusammen mit Metallgegenständen, wie Büroklammern, Münzen, Schlüsseln, Nägeln, Schrauben, und anderen kleinen Metallteilen auf, welche die Kontakte kurzschließen können.** Kurzschließen der Akkukontakte kann Verbrennungen oder einen Brand verursachen.
4. **Bei Missbrauch kann Flüssigkeit aus dem Akku austreten. Vermeiden Sie Kontakt mit dieser Flüssigkeit. Falls Sie versehentlich mit der Flüssigkeit in Berührung kommen, spülen Sie die betroffenen Stellen mit Wasser ab. Falls die Flüssigkeit in die Augen gelangt, suchen Sie zusätzlich ärztliche Hilfe auf.** Die vom Akku austretende Flüssigkeit kann Hautreizungen oder Verätzungen verursachen.
6. **Lagern Sie das Werkzeug und den Akku nicht an Orten, an denen die Temperatur 50 °C erreichen oder überschreiten kann.**
7. **Versuchen Sie niemals, den Akku zu verbrennen, selbst wenn er stark beschädigt oder vollkommen verbraucht ist. Der Akku kann im Feuer explodieren.**
8. **Achten Sie darauf, dass der Akku nicht fallen gelassen oder Stößen ausgesetzt wird.**
9. **Benutzen Sie keine beschädigten Akkus.**
10. **Die enthaltenen Lithium-Ionen-Akkus unterliegen den Anforderungen der Gefahrgut-Gesetzgebung.**
Für kommerzielle Transporte, z. B. durch Dritte oder Spediteure, müssen besondere Anforderungen zu Verpackung und Etikettierung beachtet werden.
Zur Vorbereitung des zu transportierenden Artikels ist eine Beratung durch einen Experten für Gefahrgut erforderlich. Bitte beachten Sie möglicherweise ausführlichere nationale Vorschriften. Überleben oder verdecken Sie offene Kontakte, und verpacken Sie den Akku so, dass er sich in der Verpackung nicht umher bewegen kann.

Wartung

1. **Lassen Sie Ihr Elektrowerkzeug nur unter Verwendung identischer Ersatzteile von einem qualifizierten Wartungstechniker warten.** Dadurch wird die Aufrechterhaltung der Sicherheit des Elektrowerkzeugs gewährleistet.
2. **Befolgen Sie die Anweisungen für die Schmierung und den Austausch von Zubehör.**
3. **Halten Sie Griffe trocken, sauber und frei von Öl und Fett.**

⚠️ WARNUNG: Lassen Sie sich NICHT durch Bequemlichkeit oder Vertrautheit mit dem Produkt (durch wiederholten Gebrauch erworben) von der strikten Einhaltung der Sicherheitsregeln für das vorliegende Produkt abhalten. **MISSBRAUCH** oder **Missachtung** der Sicherheitsvorschriften in dieser Anleitung können schwere Personenschäden verursachen.

Wichtige Sicherheitsanweisungen für Akku

1. **Lesen Sie vor der Benutzung des Akkus alle Anweisungen und Warnhinweise, die an (1) Ladegerät, (2) Akku und (3) Akkuwerkzeug angebracht sind.**
2. **Unterlassen Sie ein Zerlegen des Akkus.**
3. **Falls die Betriebszeit beträchtlich kürzer geworden ist, stellen Sie den Betrieb sofort ein. Anderenfalls besteht die Gefahr von Überhitzung, möglichen Verbrennungen und sogar einer Explosion.**
4. **Falls Elektrolyt in Ihre Augen gelangt, waschen Sie sie mit sauberem Wasser aus, und begeben Sie sich unverzüglich in ärztliche Behandlung. Anderenfalls können Sie Ihre Sehkraft verlieren.**
5. **Der Akku darf nicht kurzgeschlossen werden:**
 - (1) **Die Kontakte dürfen nicht mit leitfähigem Material berührt werden.**
 - (2) **Lagern Sie den Akku nicht in einem Behälter zusammen mit anderen Metallgegenständen, wie z. B. Nägel, Münzen usw.**
 - (3) **Setzen Sie den Akku weder Wasser noch Regen aus.**

Ein Kurzschluss des Akkus verursacht starken Stromfluss, der Überhitzung, mögliche Verbrennungen und einen Defekt zur Folge haben kann.

DIESE ANWEISUNGEN AUFBEWAHREN.

⚠️ VORSICHT: Verwenden Sie nur **Original-Makita-Akkus**. Die Verwendung von Nicht-Original-Makita-Akkus oder von Akkus, die abgeändert worden sind, kann zum Bersten des Akkus und daraus resultierenden Bränden, Personenschäden und Beschädigung führen. Außerdem wird dadurch die Makita-Garantie für das Makita-Werkzeug und -Ladegerät ungültig.

Hinweise zur Aufrechterhaltung der maximalen Akku-Nutzungsdauer

1. **Laden Sie den Akku, bevor er vollkommen erschöpft ist. Schalten Sie das Werkzeug stets aus, und laden Sie den Akku, wenn Sie ein Nachlassen der Werkzeugleistung feststellen.**
2. **Unterlassen Sie erneutes Laden eines voll aufgeladenen Akkus. Überladen führt zu einer Verkürzung der Nutzungsdauer des Akkus.**
3. **Laden Sie den Akku bei Raumtemperatur zwischen 10 – 40 °C. Lassen Sie einen heißen Akku abkühlen, bevor Sie ihn laden.**
4. **Der Akku muss geladen werden, wenn er lange Zeit (länger als sechs Monate) nicht benutzt wird.**

N-Zeichen

Das N-Zeichen ist ein Markenzeichen bzw. ein eingetragenes Markenzeichen von NFC Formula, Inc. in den USA und anderen Ländern der Welt.

BEZEICHNUNG DER TEILE

► Abb.1

1	Tragegurt	2	Rucksack	3	Schaltkasten	4	Kontrolllampe (rot)
5	Kontrolllampe (grün)	6	I/O-Schalter	7	Halfter	8	Kabelhalter
9	Verbindungskabel	10	Schere	11	Ein-Aus-Schalter	-	-

FUNKTIONSBESCHREIBUNG

⚠ VORSICHT: Vergewissern Sie sich vor der Durchführung von Einstellungen oder Funktionsprüfungen des Werkzeugs stets, dass das Werkzeug ausgeschaltet und der Akku abgenommen ist.

Anbringen und Abnehmen des Akkus

⚠ VORSICHT: Schalten Sie das Werkzeug stets aus, bevor Sie den Akku anbringen oder abnehmen.

⚠ VORSICHT: Halten Sie das Werkzeug und den Akku beim Anbringen oder Abnehmen des Akkus sicher fest. Wenn Sie das Werkzeug und den Akku nicht sicher festhalten, können sie Ihnen aus der Hand rutschen, was zu einer Beschädigung des Werkzeugs und des Akkus und zu Körperverletzungen führen kann.

► Abb.2: 1. Rote Anzeige 2. Knopf 3. Akku 4. Akkuhalter

Ziehen Sie den Akku zum Abnehmen vom Werkzeug ab, während Sie den Knopf an der Vorderseite des Akkus verschieben.

Richten Sie zum Anbringen des Akkus dessen Führungsfeder auf die Nut im Gehäuse aus, und schieben Sie den Akku hinein. Schieben Sie ihn vollständig ein, bis er mit einem hörbaren Klicken einrastet. Falls die rote Anzeige an der Oberseite des Knopfes sichtbar ist, ist der Akku nicht vollständig verriegelt.

⚠ VORSICHT: Schieben Sie den Akku stets bis zum Anschlag ein, bis die rote Anzeige nicht mehr sichtbar ist. Andernfalls kann er aus dem Werkzeug herausfallen und Sie oder umstehende Personen verletzen.

⚠ VORSICHT: Unterlassen Sie Gewaltanwendung beim Anbringen des Akkus. Falls der Akku nicht reibungslos hineingleitet, ist er nicht richtig ausgerichtet.

HINWEIS: Das Werkzeug funktioniert nicht mit nur einem Akku.

Werkzeug/Akku-Schutzsystem

Das Werkzeug ist mit einem Werkzeug/Akku-Schutzsystem ausgestattet. Dieses System schaltet die Stromversorgung des Motors automatisch ab, um die Lebensdauer von Werkzeug und Akku zu verlängern. Das Werkzeug bleibt während des Betriebs automatisch stehen, wenn das Werkzeug oder der Akku einer der folgenden Bedingungen unterliegt. Unter manchen Bedingungen leuchten die Lampen am Schaltkasten auf.

Überlastschutz

Wird das Werkzeug auf eine Weise benutzt, die eine ungewöhnlich hohe Stromaufnahme bewirkt, bleibt es ohne jegliche Anzeige automatisch stehen. Schalten Sie in dieser Situation das Werkzeug aus, und brechen Sie die Arbeit ab, die eine Überlastung des Werkzeugs verursacht hat. Schalten Sie dann das Werkzeug wieder ein, um neu zu starten.

Überhitzungsschutz

Wenn das Werkzeug überhitzt wird, bleibt es automatisch stehen, und die grüne Lampe am Schaltkasten blinkt. Lassen Sie das Werkzeug in dieser Situation abkühlen, bevor Sie es wieder einschalten.

Überentladungsschutz








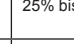

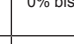

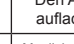




Wenn die Akkukapazität niedrig wird, bleibt das Werkzeug automatisch stehen. Und die rote Lampe am Schaltkasten leuchtet auf oder blinkt. Falls das Produkt trotz Betätigung der Schalter nicht funktioniert, entfernen Sie die Akkus aus dem Akkuhalter, und laden Sie sie auf.

Anzeigen der Akku-Restkapazität

Nur für Akkus mit „B“ am Ende der Modellnummer

► Abb.3: 1. Anzeigelampen 2. Prüftaste

Drücken Sie die Prüftaste am Akku, um die Akku-Restkapazität anzuzeigen. Die Anzeigelampen leuchten wenige Sekunden lang auf.

Anzeigelampen			Restkapazität
 Erleuchtet	 Aus	 Blinkend	
			75 % bis 100 %
			50% bis 75%
			25% bis 50%
			0% bis 25%
			Den Akku aufladen.
			Möglicherweise liegt eine Funktionsstörung im Akku vor.
			

HINWEIS: Abhängig von den Benutzungsbedingungen und der Umgebungstemperatur kann die Anzeige geringfügig von der tatsächlichen Kapazität abweichen.

Schalterfunktion

⚠ VORSICHT: Vergewissern Sie sich vor dem Anschluss des Akkus an die Schere stets, dass der Ein-Aus-Schalter einwandfrei funktioniert und bei Loslassen in die „AUS“-Stellung zurückkehrt.

⚠ VORSICHT: Wenn Sie das Werkzeug nicht benutzen, vergewissern Sie sich stets, dass sich der I/O-Schalter in der Stellung „O“ befindet.

⚠ VORSICHT: Stellen Sie den I/O-Schalter nicht auf die Stellung „I“ (EIN), während Sie den Ein-Aus-Schalter betätigen. Die Messer schließen sich geringfügig, wodurch Personenschäden verursacht werden können.

Gehen Sie zum Einschalten des Werkzeugs wie folgt vor:

- Schließen Sie Schaltkasten, Verbindungskabel und Schere an. (Siehe „Installieren des Verbindungskabels“.)
- Halten Sie die Schere mit festem Griff, und drücken Sie den I/O-Schalter auf die Stellung „I“ (EIN). Die grüne Kontrolllampe leuchtet auf.
▶ **Abb.4:** 1. I/O-Schalter 2. Kontrolllampe (grün) 3. Kontrolllampe (rot)
- Die Schermesser befinden sich im Sperrmodus, wenn der I/O-Schalter eingeschaltet wird. Um die Sperre aufzuheben, betätigen Sie den Ein-Aus-Schalter zweimal. Das obere Schermesser öffnet automatisch.
- Zum Schließen des Schermessers betätigen Sie den Ein-Aus-Schalter.
▶ **Abb.5:** 1. Ein-Aus-Schalter

Automatische Umschaltung auf Sperrmodus und Abschaltmodus

Aus Sicherheitsgründen schaltet das Werkzeug automatisch in den Sperrmodus oder Abschaltmodus, wenn es eine bestimmte Zeitlang unberührt bleibt.
Nach 5 Minuten: Das Werkzeug schaltet in den Sperrmodus. Betätigen Sie den Ein-Aus-Schalter zweimal, um die Sperre aufzuheben.
Nach 15 Minuten: Das Werkzeug schaltet in den Abschaltmodus, und die grüne Kontrolllampe erlischt. Drücken Sie den I/O-Schalter kurz auf die Stellung „O“ (AUS) und dann wieder auf die Stellung „I“ (EIN), und betätigen Sie dann den Ein-Aus-Schalter zweimal, um die Sperre aufzuheben.

Öffnungswinkel-Wählhebel

▶ **Abb.6:** 1. Öffnungswinkel-Wählhebel

Durch Kippen des Öffnungswinkel-Wählhebels nach links können Sie das obere Schermesser weiter öffnen. Um den Öffnungswinkel des oberen Schermessers zu begrenzen, drücken Sie zunächst den Ein-Aus-Schalter ganz durch, und stellen Sie dann den Öffnungswinkel-Wählhebel auf die Normalstellung zurück.

Einstellung der Schnitttiefe

⚠ VORSICHT: Bringen Sie nicht Ihre Hände oder andere Körperteile in die Nähe der Schermesser. Anderenfalls kann es zu Personenschaden kommen.

Nach dem Schärren oder Auswechseln der Schermesser muss gegebenenfalls die Schnitttiefe eingestellt werden.
Schalten Sie das Werkzeug ein, und betätigen Sie den Ein-Aus-Schalter zweimal, um die Schermesser zu öffnen, und stellen Sie dann den I/O-Schalter auf die Stellung „O“ (AUS).
Um die Schnitttiefe zu vergrößern, drehen Sie die Schnitttiefen-Einstellschraube mit dem Inbusschlüssel im Uhrzeigersinn. Und um die Schnitttiefe zu verkleinern, drehen Sie die Schnitttiefen-Einstellschraube entgegen dem Uhrzeigersinn.
▶ **Abb.7:** 1. Schnitttiefen-Einstellschraube

HINWEIS: Überprüfen Sie die Schnitttiefe nach der Einstellung. Falls die Schnitttiefe zu flach ist, wird der Ast u. U. nicht ganz abgeschnitten.

Kontrolllampen am Schaltkasten

▶ **Abb.8:** 1. I/O-Schalter 2. Kontrolllampe (grün) 3. Kontrolllampe (rot)

Die grüne und die rote Lampe zeigen folgende Zustände an:

(Ein: ● Aus: ○ Blinken: ☀)

- Die grüne Lampe leuchtet auf: Das Werkzeug ist eingeschaltet.

Grün	Rot
●	○

- Die grüne und die rote Lampe leuchten auf: Wenn Sie den Akku in den Akkualtner einsetzen, während sich der I/O-Schalter in der Stellung „I“ (Ein) befindet, leuchten beide Lampen auf, und das Messer bewegt sich nicht, obwohl Sie den Ein-Aus-Schalter betätigen. Drücken Sie in dieser Situation den I/O-Schalter kurz auf die Stellung „O“ (Aus) und dann wieder auf die Stellung „I“ (Ein).

Grün	Rot
●	●

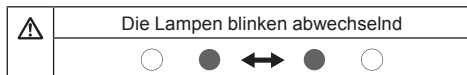
- Die grüne Lampe blinkt: Das Werkzeug ist überhitzt. Lassen Sie das Werkzeug abkühlen, bevor Sie es wieder einschalten.

	Grün	Rot
☀	☀	○

- Die grüne Lampe leuchtet auf, und die rote Lampe blinkt oder leuchtet auf: Der Akku ist schwach oder nahezu erschöpft. Laden Sie die Akkus auf. Wenn einer der Akkus schwach wird, blinkt die rote Lampe, selbst wenn der andere Akku voll aufgeladen ist.

	Grün	Rot
🔋	●	☀ / ●

- Die grüne und die rote Lampe blinken abwechselnd: Das Werkzeug erkennt eine Kabelstörung. Überprüfen Sie das Verbindungskabel auf Wackelkontakt mit dem Schaltkasten und der Schere. Falls die Lampen noch immer abwechselnd blinken, brechen Sie die Benutzung des Werkzeugs unverzüglich ab, trennen Sie das Verbindungskabel ab, entfernen Sie den Akku, und wenden Sie sich bezüglich einer Reparatur an Ihr örtliches autorisiertes Service-Center.



MONTAGE

⚠ VORSICHT: Vergewissern Sie sich vor der Ausführung von Arbeiten am Werkzeug stets, dass das Werkzeug ausgeschaltet und der Akku abgenommen ist.

Einsetzen des Akkualters in den Rucksack

- **Abb.9:** 1. Schnalle 2. Akkualter 3. Riemen
- Führen Sie der Schaltkasten durch die Öffnung (entweder auf der rechten oder linken Seite) des Rucksacks.
 - Führen Sie den Riemen durch die rechteckige Öffnung im Akkualter, und sichern Sie den Akkualter mit der Schnalle. Vergewissern Sie sich, dass der Akkualter fest im Rucksack sitzt.

Montieren des Halfters

- **Abb.10:** 1. Halfter 2. Riemen
- Führen Sie den Gurt der unteren Schnalle durch die Öffnung des Halfters.

Einstellen des Tragegurts

- Stellen Sie den Tragegurt wie folgt ein:
- Schließen und verriegeln Sie die untere Schnalle, und stellen Sie ihre Gurtlänge ein.
► **Abb.11:** 1. Untere Schnalle
 - Stellen Sie die Länge des Schulterriemens ein.
► **Abb.12**
 - Stellen Sie die Position der oberen Schnalle ein. Schließen und verriegeln Sie die obere Schnalle, und stellen Sie ihre Gurtlänge ein.
► **Abb.13:** 1. Obere Schnalle

⚠ VORSICHT: Öffnen Sie im Notfall schnell die untere und obere Schnalle, lockern Sie die Schulterriemen, und legen Sie den Rucksack ab.

Installieren des Verbindungskabels

⚠ VORSICHT: Vergewissern Sie sich stets, dass sich der I/O-Schalter des Schaltkastens in der Stellung „O“ befindet, bevor Sie das Verbindungskabel anbringen.

⚠ VORSICHT: Betreiben Sie das Werkzeug nicht, wenn das Verbindungskabel beschädigt ist.

ANMERKUNG: Behandeln Sie das Verbindungskabel sorgfältig. Tragen Sie das Werkzeug nicht durch Ziehen am Verbindungskabel. Halten Sie das Verbindungskabel von Hitze, Öl oder scharfen Kanten fern. Anderenfalls kann das Verbindungskabel beschädigt werden.

Bringen Sie das Verbindungskabel wie folgt an Schaltkasten und Schere an:

- Richten Sie zuerst das Dreieckszeichen am Stecker des Verbindungskabels auf das Dreieckszeichen an der Buchse des Schaltkastens aus. Führen Sie den Stecker des Verbindungskabels in die Buchse des Schaltkastens ein. Richten Sie dann die Markierung an der Kupplung auf die Dreieckszeichen aus, drücken Sie die Kupplung hinein, und drehen Sie sie zum Anziehen.
► **Abb.14:** 1. Dreieckszeichen 2. Verbindungskabel 3. Schaltkasten 4. Markierung an der Kupplung 5. Kupplung

ANMERKUNG: Um das Verbindungskabel abzutrennen, drehen Sie die Kupplung, und richten Sie die Markierung an der Kupplung zuerst auf die Dreieckszeichen aus.

- Hängen Sie den Schaltkasten an das Koppel oder den oberen Gurt.
► **Abb.15**
- Schieben Sie das Verbindungskabel in die Schleife des Kabelhalters.
► **Abb.16**

Hängen Sie den Kabelhalter entweder an den oberen Gurt oder das Koppel, je nachdem, an welchem der Schaltkasten nicht angebracht ist.

Der Kabelhalter verhindert Baumeln des Verbindungskabels um Ihren Körper. Außerdem kann er versehentliches Durchtrennen des Verbindungskabels verhindern.

- **Abb.17**
► **Abb.18**

ANMERKUNG: Hängen Sie nichts anderes außer dem Verbindungskabel an den Kabelhalter. Anderenfalls kann der Kabelhalter beschädigt werden.

ANMERKUNG: Öffnen Sie den Kabelhalter nicht gewaltsam. Anderenfalls kann der Kabelhalter verformt oder beschädigt werden.

- Bringen Sie die Armbinde an Ihrem Arm an. Ziehen Sie das Verbindungskabel durch die Armbinde.
► **Abb.19:** 1. Armbinde

5. Richten Sie zuerst das Dreieckszeichen an der Buchse des Verbindungskabels auf das Dreieckszeichen am Stecker der Schere aus. Schieben Sie die Buchse des Verbindungskabels auf den Stecker der Schere. Richten Sie dann die Markierung an der Kupplung auf die Dreieckszeichen aus, drücken Sie die Kupplung hinein, und drehen Sie sie zum Anziehen.

- **Abb.20:** 1. Dreieckszeichen 2. Verbindungskabel
3. Schere 4. Markierung an der Kupplung
5. Kupplung

ANMERKUNG: Um das Verbindungskabel abzutrennen, drehen Sie die Kupplung, und richten Sie die Markierung an der Kupplung zuerst auf die Dreieckszeichen aus.

Einsetzen der Schere in den Halfter

Betätigen Sie den Ein-Aus-Schalter fortlaufend, um die Schermesser zu schließen, und drücken Sie den I/O-Schalter auf die Stellung „O“, um das Werkzeug auszuschaalten. Stecken Sie dann die Schere in den Halfter, und sichern Sie sie mit dem Riemen des Halfters.

BETRIEB

⚠ VORSICHT: Halten Sie das Werkzeug stets mit festem Griff. Achten Sie auf sicheren Stand.

⚠ VORSICHT: Bringen Sie während des Betriebs keinen Körperteil in die Nähe der Messer.

⚠ VORSICHT: Überprüfen Sie die Messer, Messerschrauben oder andere Teile vor Gebrauch, um sicherzugehen, dass sie nicht verschlissene oder beschädigte Teile für sicheren Betrieb aus.

ANMERKUNG: Falls das Messer während des Betriebs in einem Ast hängen bleibt, verdrehen Sie das Messer nicht. Schalten Sie in einer solchen Situation das Werkzeug aus, und ziehen Sie die Messer gerade und langsam aus dem Ast heraus. Anderenfalls kann das Messer beschädigt werden.

ANMERKUNG: Falls Sie einen zu dicken Ast oder einen zu harten Gegenstand schneiden, wird der Überlastschutz aktiviert und das Werkzeug angehalten. Wird in einer solchen Situation das obere Schermesser zu weit geöffnet und der Ein-Aus-Schalter ganz durchgedrückt, schließt sich das Obermesser geringfügig, wenn Sie den I/O-Schalter auf die Stellung „I“ (EIN) drücken, um das Werkzeug neu zu starten.

Schnittbetrieb

- **Abb.21**

Schneiden Sie Äste einzeln ab. Die maximale Dicke von Ästen, die mit dieser Schere abgeschnitten werden können, beträgt etwa 33mm. Behalten Sie stets sicheren Stand und gute Balance bei.

Nach dem Gebrauch

Schließen Sie die Schermesser, drücken Sie den I/O-Schalter auf die Stellung „O“ (AUS), trennen Sie das Verbindungskabel von Schere und Schaltkasten ab, und nehmen Sie die Akkus vom Akkuhalter ab. Bewahren Sie die Schere an einem trockenen, hochgelegenen oder abschließbaren Ort auf – außer Reichweite von Kindern.

ANMERKUNG: Trennen Sie den Akku ab, wenn Sie die Schere nicht benutzen. Anderenfalls verringert sich die Akkukapazität im Laufe der Zeit.

WARTUNG

⚠ VORSICHT: Vergewissern Sie sich vor der Durchführung von Inspektions- oder Wartungsarbeiten stets, dass das Werkzeug ausgeschaltet und der Akku abgenommen ist.

⚠ VORSICHT: Tragen Sie Schutzhandschuhe bei der Handhabung der Messer. Anderenfalls kann es zu Personenschaden kommen.

ANMERKUNG: Verwenden Sie auf keinen Fall Benzin, Waschbenzin, Verdünnern, Alkohol oder dergleichen. Solche Mittel können Verformung, Verformung oder Rissbildung verursachen.

Messerwartung

ANMERKUNG: Eine Vernachlässigung der Messerwartung kann zu übermäßiger Messerreibung führen und die Betriebszeit pro Akkuladung verkürzen.

Unterziehen Sie die Schermesser vor und nach der Arbeit einer sorgfältigen Überprüfung. Reinigen Sie die Messer nach der Arbeit mit einer harten Bürste. Wischen Sie die Messer anschließend mit einem Tuch ab. Und tragen Sie Original-Makita-Maschinenöl auf die Messerschneiden und die beweglichen Teile auf.

- **Abb.22**

Schärfen der Messer

Oberes Schermesser

1. Setzen Sie die flache Oberfläche der Diamantfeile an die Messerschneide an.

Schieben Sie die Diamantfeile auf die Spitze des Messers zu, um die Messerschneide auf ihrer ganzen Länge zu schleifen.

Behalten Sie den gleichen flachen Kontakt mit der Feile über die gesamte Länge der Messerschneide bei.

- **Abb.23:** 1. Diamantfeile

2. Setzen Sie die flache Oberfläche der Diamantfeile leicht an die Rückseite des Messers an.

Schieben Sie die Diamantfeile leicht auf die Spitze des Messers zu, um Grate zu entfernen.

- **Abb.24**

ANMERKUNG: Schärfen Sie diese Seite nicht zu viel. Feilen Sie leicht, um nur Grate zu entfernen. Anderenfalls kann das Messerspiel zu groß werden, oder die Lebensdauer des Messers kann verkürzt werden.

Unteres Schermesser

1. Setzen Sie die runde Oberfläche der Diamantfeile an die Messerschneide an.

Schieben Sie die Diamantfeile auf die Spitze des Messers zu, um die Messerschneide auf ihrer ganzen Länge zu schleifen.

► **Abb.25**

2. Setzen Sie die flache Oberfläche der Diamantfeile leicht an die Rückseite des Messers an.

Schieben Sie die Diamantfeile leicht auf die Spitze des Messers zu, um Grate zu entfernen.

► **Abb.26**

ANMERKUNG: Schärfen Sie diese Seite nicht zu viel. Feilen Sie leicht, um nur Grate zu entfernen. Anderenfalls kann das Messerspiel zu groß werden, oder die Lebensdauer des Messers kann verkürzt werden.

Einstellung des Messerspiels

- **Abb.27:**
1. Scheiben-Halteschraube
 2. Sicherungsscheibe
 3. Messerspannmutter

Stellen Sie das Spiel der Schermesser von Zeit zu Zeit wie folgt ein:

1. Schalten Sie das Werkzeug ein, und betätigen Sie den Ein-Aus-Schalter, um die Schermesser zu öffnen.
2. Schalten Sie das Werkzeug bei offenen Schermessern aus. Und trennen Sie das Verbindungskabel vom Werkzeug.
3. Lösen Sie die Scheiben-Halteschraube. Entfernen Sie dann die Sicherungsscheibe.
4. Stellen Sie die Straffheit der Messerspannmutter von Hand ein (Anzugsmoment der Messerspannmutter: ca. 0,5 N•m).
5. Bringen Sie die Sicherungsscheibe und die Scheiben-Halteschraube wieder an.
6. Überprüfen Sie die Straffheit der Messer. Die Messer dürfen keinesfalls klappern, aber das Obermesser sollte sich etwa 3 mm weit von Hand öffnen oder schließen lassen. Falls die Messer zu straff oder zu locker sind, stellen Sie das Spiel erneut ein.

ANMERKUNG: Beachten Sie das Spiel der Messer. Ein zu großes Spiel kann zu stumpfen Schnitten, und ein zu kleines Spiel zu Überlastung des Motors und kurzer Betriebszeit des Werkzeugs führen.

Demontieren oder Montieren der Schermesser

Führen Sie zum Demontieren der Schermesser die folgenden Schritte aus:

1. Kippen Sie den Öffnungswinkel-Wählhebel zuerst nach links, um die Messer vollständig zu öffnen.
2. Schalten Sie das Werkzeug ein, und betätigen Sie den Ein-Aus-Schalter, um die Schermesser zu öffnen.
3. Schalten Sie das Werkzeug bei offenen Schermessern aus. Und trennen Sie das Verbindungskabel vom Werkzeug.

4. Entfernen Sie zwei Schrauben in der Nähe des Ein-Aus-Schalters mit dem Inbusschlüssel.

Entfernen Sie den Auslöserschutz, indem Sie die Feder am Auslöserschutz von der Nut des Gehäuses trennen.

► **Abb.29:** 1. Schrauben 2. Auslöserschutz

5. Entfernen Sie den E-Ring am Gelenkarm mit einem Schlitzschraubendreher oder dergleichen.

► **Abb.30:** 1. E-Ring 2. Gelenkarm

ANMERKUNG: Der E-Ring ist ein Verbrauchsteil. Der E-Ring darf beim Wiedereinbau nicht wiederverwendet werden.

6. Entfernen Sie den Stift vorsichtig.

► **Abb.31:** 1. Stift

7. Entfernen Sie zwei Schrauben von der Seite des Gehäuses.

► **Abb.32:** 1. Schrauben

8. Entfernen Sie das obere und untere Schermesser sorgfältig aus dem Gehäuse.

► **Abb.33**

9. Zum Trennen von Obermesser und Untermesser lösen Sie zuerst die Scheiben-Halteschraube. Entfernen Sie dann die Sicherungsscheibe.

► **Abb.34:** 1. Scheiben-Halteschraube
2. Sicherungsscheibe

10. Lösen und entfernen Sie die Messerspannmutter.

► **Abb.35:** 1. Messerspannmutter
2. Messerspannschraube

Zur Montage der Schermesser wenden Sie das obige Verfahren umgekehrt an. Vergewissern Sie sich, dass alle Schrauben sicher angezogen sind.

Stellen Sie nach der Messermontage immer das Messerspiel ein. (Siehe „Einstellung des Messerspiels“.)

Zur Montage der Schermesser wenden Sie das obige Verfahren umgekehrt an. Beachten Sie die folgenden Punkte bei der Montage der Schermesser:

- Tragen Sie Maschinenöl oder Schmierfett auf die Messerspannschraube und den Spalt zwischen den Messern auf.
- Wenn sich die Scheiben-Halteschraube nicht ordnungsgemäß anbringen lässt, entfernen Sie zuerst den O-Ring und die Scheiben-Halteschraube von der Sicherungsscheibe. Drehen Sie dann die Sicherungsscheibe um, und bringen Sie den O-Ring und die Scheiben-Halteschraube wieder an.

- Wenn Sie den Auslöserschutz montieren, richten Sie die Feder des Auslöserschutzes auf die Nut des Gehäuses aus.

► **Abb.36**

- Vergewissern Sie sich, dass alle Schrauben sicher angezogen sind.
- Stellen Sie nach der Montage des Messers immer das Messerspiel ein. (Siehe „Einstellung des Messerspiels“.)
- Stellen Sie nach der Montage des Messers immer die Schnitttiefe ein. (Siehe „Einstellung der Schnitttiefe“.)

Fehlersuche

Versuchen Sie zunächst, ein Problem selbst zu beheben, bevor Sie eine Reparatur in Auftrag geben. Falls Sie eine Unregelmäßigkeit feststellen, kontrollieren Sie Ihr Werkzeug anhand der Beschreibung in diesem Handbuch. Lässt sich das Problem nicht durch die nachstehend angegebene Abhilfemaßnahme beheben, wenden Sie sich bezüglich einer Reparatur an Ihr örtliches autorisiertes Service-Center. Niemals Eingriffe vornehmen oder Teile ausbauen, die von der Beschreibung abweichen.

Zustand der Unregelmäßigkeit	Wahrscheinliche Ursache (Funktionsstörung)	Abhilfemaßnahme
Das Schermesser bewegt sich trotz Betätigung des Ein-Aus-Schalters nicht.	Der Akku ist schwach.	Laden Sie den Akku auf.
	Der I/O-Schalter befindet sich in der Stellung „AUS“.	Drücken Sie den I/O-Schalter auf die Stellung „I“ (EIN).
	Die Schere ist gesperrt.	Entsperren Sie die Schere, indem Sie die Schritte unter „Schalterbedienung“ ausführen.
	Das Verbindungskabel ist locker.	Überprüfen Sie die Anschlusspunkte des Verbindungskabels an Schaltkasten und Schere.
	Der I/O-Schalter befindet sich in der Stellung „Ein“, wenn der Akku eingeführt wird.	Drücken Sie den I/O-Schalter kurz auf die Stellung „O“ (Aus) und dann wieder auf die Stellung „I“ (Ein).
	Der Ein-Aus-Schalter ist defekt.	Brechen Sie sofort die Benutzung des Werkzeugs ab, und wenden Sie sich bezüglich einer Reparatur an Ihr örtliches autorisiertes Service-Center.
Die Schermesser klemmen am Ast.	Der Ast ist zu dick.	Lassen Sie den Ein-Aus-Schalter los. Drücken Sie den I/O-Schalter auf die Stellung „O“ (AUS). Ziehen Sie dann die Messer gerade und langsam aus dem Ast heraus.

Zustand der Unregelmäßigkeit	Wahrscheinliche Ursache (Funktionsstörung)	Abhilfemaßnahme
Der Ein-Aus-Schalter ist verriegelt und kann nicht betätigt werden.	Die Schermesser werden gewaltsam geöffnet.	Schalten Sie das Werkzeug mit dem I/O-Schalter aus und wieder ein. (Das obere Schermesser schließt beim Einschalten geringfügig.)
Der Schnitt ist nicht glatt.	Die Schermesser sind stumpf.	Schärfen Sie die Schermesser, oder stellen Sie das Messerspiel ein.
	Die Schermesser sind abgenutzt.	Tauschen Sie die Schermesser aus.

Um die SICHERHEIT und ZUVERLÄSSIGKEIT dieses Produkts zu gewährleisten, sollten Reparaturen und andere Wartungs- oder Einstellarbeiten nur von Makita-Vertragswerkstätten oder Makita-Kundendienstzentren unter ausschließlicher Verwendung von Makita-Originalersatzteilen ausgeführt werden.

SONDERZUBEHÖR

⚠ VORSICHT: Die folgenden Zubehörteile oder Vorrichtungen werden für den Einsatz mit dem in dieser Anleitung beschriebenen Makita-Werkzeug empfohlen. Die Verwendung anderer Zubehörteile oder Vorrichtungen kann eine Verletzungsgefahr darstellen. Verwenden Sie Zubehörteile oder Vorrichtungen nur für ihren vorgesehenen Zweck.

Wenn Sie weitere Einzelheiten bezüglich dieser Zubehörteile benötigen, wenden Sie sich bitte an Ihre Makita-Kundendienststelle.

- Oberes Schermesser
- Unteres Schermesser
- Diamantfeile
- Armbinde
- Halfter
- Kabelhalter
- Original-Makita-Akku und -Ladegerät

HINWEIS: Manche Teile in der Liste können als Standardzubehör im Werkzeugsatz enthalten sein. Sie können von Land zu Land unterschiedlich sein.

DATI TECNICI

Modello:	DUP361	
Capacità massima di taglio	33 mm	
Lunghezza complessiva (parte delle cesoie)	305 mm	
Tensione nominale	C.c. 36 V	
Cartuccia della batteria	BL1815N, BL1820, BL1820B	BL1830, BL1830B, BL1840, BL1840B, BL1850, BL1850B, BL1860B
Peso netto (incluse cesoie, scatola di commutazione, cavo di collegamento, due cartucce delle batterie e zainetto)	3,3 kg	3,8 kg

- A causa del nostro programma continuativo di ricerca e sviluppo, i dati tecnici sono soggetti a modifiche senza preavviso.
- I dati tecnici e la cartuccia della batteria potrebbero differire da nazione a nazione.
- Peso, con cartuccia della batteria, secondo la Procedura EPTA 01/2003

Simboli

La figura seguente mostra i simboli utilizzati per l'apparecchio. Accertarsi di comprendere il loro significato prima dell'uso.



Leggere il manuale d'uso.



Non esporre all'umidità.



Pericolo; fare attenzione agli oggetti scagliati.



Tenere lontani gli astanti.



Solo per le nazioni dell'EU
Non smaltire apparecchiature elettriche o batterie insieme ai rifiuti domestici!
In osservanza delle Direttive Europee sui rifiuti di apparecchiature elettriche ed elettroniche (RAEE), sulle batterie e gli accumulatori, nonché sulle batterie e gli accumulatori esausti, e dell'implementazione di tali direttive in conformità alle leggi locali, gli apparecchi elettrici e la/le batteria/e che hanno raggiunto la fine della loro vita utile devono essere raccolti separatamente e conferiti a una struttura di smaltimento ecocompatibile.

Utilizzo previsto

L'utensile è destinato alla potatura di ramoscelli o rami.

Rumore

Livello tipico di rumore pesato A determinato in base allo standard EN50636:

Livello di pressione sonora (L_{pA}) : 70 dB (A) o inferiore
Incertezza (K): 3,2 dB (A)

Il livello del rumore nelle condizioni di lavoro può superare gli 80 dB (A).

AVVERTIMENTO: Indossare protezioni per le orecchie.

Vibrazioni

Valore totale delle vibrazioni (somma vettoriale triassiale) determinato in base allo standard EN50636:
Emissione di vibrazioni (a_{hv}) : 2,5 m/s² o inferiore
Incertezza (K): 1,5 m/s²

NOTA: Il valore di emissione delle vibrazioni dichiarato è stato misurato in conformità al metodo standard di verifica, e può essere utilizzato per confrontare un utensile con un altro.

NOTA: Il valore di emissione delle vibrazioni dichiarato può venire utilizzato anche per una valutazione preliminare dell'esposizione.

AVVERTIMENTO: L'emissione delle vibrazioni durante l'utilizzo effettivo dell'utensile elettrico può variare rispetto al valore di emissione dichiarato, a seconda dei modi in cui viene utilizzato l'utensile.

AVVERTIMENTO: Accertarsi di identificare le misure di sicurezza per la protezione dell'operatore basate sulla stima dell'esposizione nelle condizioni effettive di utilizzo (tenendo presente tutte le parti del ciclo operativo, ad esempio le volte in cui l'utensile viene spento e quando gira a vuoto, oltre al tempo di attivazione).

Dichiarazione CE di conformità

Modello solo per le nazioni europee

Makita dichiara che la/le macchina/e seguente/i:
Designazione della macchina: Cesoie per potare a batteria

N. modello/Tipo: DUP361

È conforme alle seguenti Direttive Europee: 2006/42/CE
È stata fabbricata in conformità allo standard e ai documenti standardizzati seguenti: EN ISO 12100

Il file tecnico in conformità alla normativa 2006/42/CE è disponibile presso:

Makita, Jan-Baptist Vinkstraat 2, 3070, Belgio
29.1.2015

Yasushi Fukaya

Yasushi Fukaya
Amministratore
Makita, Jan-Baptist Vinkstraat 2, 3070, Belgio

Avvertenze di sicurezza relative alle cesoie per potare

⚠AVVERTIMENTO: Leggere tutte le avvertenze relative alla sicurezza e tutte le istruzioni. La mancata osservanza delle avvertenze e delle istruzioni può risultare in scosse elettriche, incendi e/o gravi lesioni personali.

Conservare tutte le avvertenze e le istruzioni come riferimento futuro.

Il termine "utensile elettrico" nelle avvertenze si riferisce sia all'utensile elettrico (cablato) nel funzionamento alimentato da rete elettrica che all'utensile elettrico (a batteria) nel funzionamento alimentato a batteria.

- Utilizzare attrezzature di protezione personale. Indossare sempre occhiali di protezione.** Attrezzature di protezione quali maschere anti-polvere, scarpe di sicurezza antiscivolo, elmetti o protezioni per le orecchie utilizzati per le condizioni appropriate riducono le lesioni personali.
- Evitare l'avvio accidentale. Assicurarsi che l'interruttore sia sulla posizione di spento (off) prima di collegare la fonte di alimentazione elettrica e/o la batteria e prima di sollevare o trasportare l'utensile.** Il trasporto di utensili elettrici con il dito appoggiato sull'interruttore o il collegamento all'alimentazione elettrica di utensili elettrici con l'interruttore di accensione attivato provoca incidenti.
- Vestirsi in modo adeguato. Non indossare indumenti troppo larghi o gioielli. Tenere capelli, indumenti e guanti lontani dalle parti in movimento.** Indumenti troppo larghi, gioielli o capelli lunghi possono restare impigliati nelle parti in movimento.
- Questo utensile serve a potare i rami.** Non utilizzarlo per lavori diversi da quelli a cui è destinato.
- Non consentire mai di utilizzare l'utensile a bambini, persone con ridotte capacità fisiche, sensoriali o mentali o con mancanza di esperienza e preparazione, o a persone che non abbiano familiarità con le presenti istruzioni. Le normative locali potrebbero limitare l'età dell'operatore.**
- Non far funzionare mai l'utensile mentre delle persone, specialmente bambini, o degli animali sono nelle vicinanze.**
- Non sporgersi e mantenere sempre l'equilibrio.** Accertarsi sempre di mantenere i piedi appoggiati saldamente sui pendii e di camminare, senza mai correre.

- Non toccare le parti pericolose in movimento prima che l'utensile sia stato scollegato dalla rete elettrica e/o la batteria sia stata rimossa dall'utensile.**
- Indossare sempre calzature solide e pantaloni lunghi durante l'utilizzo dell'utensile.**
- Scollegare l'alimentazione e/o rimuovere la batteria dall'utensile nei casi seguenti:**
 - ogni volta che l'utensile viene lasciato dall'utente,
 - prima di rimuovere un inceppamento,
 - prima di controllare, pulire o lavorare sull'utensile,
 - dopo aver colpito un oggetto estraneo per ispezionare l'utensile per eventuali danni,
 - qualora l'utensile inizi a vibrare in modo anomalo, per controllarlo immediatamente.
- Non far funzionare mai l'utensile con coperture o protezioni difettose, oppure senza i dispositivi di sicurezza, o qualora il cavo di alimentazione sia danneggiato o usurato.**
- Evitare di utilizzare l'utensile in condizioni meteo avverse, specialmente quando sussiste il rischio di fulmini.**
- Non utilizzare l'utensile né effettuare operazioni di ricarica della batteria sotto la pioggia.**
- Non lasciare l'utensile sotto la pioggia oppure in ubicazioni bagnate.**
- Fare attenzione a non consentire che materiale estraneo resti incastrato tra le lame.** Qualora del materiale estraneo resti incastrato tra le lame, spegnere immediatamente l'utensile e scollegare la batteria dall'utensile. Quindi rimuovere il materiale estraneo dalle lame.
- Non tenere mai il ramo che si sta potando con la mano libera.** Tenere la mano libera lontana dall'area di taglio. Non toccare mai le lame, in quanto sono molto affilate e l'utente potrebbe tagliarsi.
- Non forzare l'utensile per produrre il taglio.** Si potrebbe scivolare causando lesioni personali o tagliare qualcos'altro accidentalmente.
- Evitare di tagliare cavi elettrici che potrebbero essere nascosti.**
- Controllare sempre con molta attenzione le lame prima dell'uso.**
- Maneggiare le lame con estrema cura, per evitare tagli o lesioni personali causati dalle lame.**
- Scollegare la batteria dall'utensile dopo ogni uso e prima di tentare di effettuare operazioni di ispezione e di manutenzione.**
- Tenere sempre l'utensile nella sua fondina quando non è in uso.**

Uso e manutenzione degli strumenti a batterie

- Ricaricare solo con il caricabatterie specificato dal produttore.** Un caricabatterie appropriato per un tipo di batteria potrebbe creare un rischio di incendio, se utilizzato con un'altra batteria.
- Utilizzare gli utensili elettrici solo con le batterie specificamente designate.** L'uso di qualsiasi altra batteria potrebbe creare un rischio di lesioni personali e incendi.

3. Quando la batteria non è in uso, tenerla lontana da altri oggetti metallici, quali graffette, monete, chiavi, chiodi, viti o altri piccoli oggetti metallici, che potrebbero fare contatto tra terminali diversi. Il cortocircuito dei terminali della batteria può causare ustioni o incendi.
4. In condizioni di uso improprio, la batteria potrebbe emettere un liquido: evitare il contatto con tale liquido. Qualora si verifici un contatto accidentale con il liquido, lavare abbondantemente con acqua. Qualora il liquido entri in contatto con gli occhi, richiedere anche assistenza medica. Il liquido espulso dalla batteria può causare irritazioni o ustioni.
6. Non conservare l'utensile e la cartuccia della batteria in ubicazioni in cui la temperatura possa raggiungere o superare i 50°C.
7. Non incenerire la cartuccia della batteria anche qualora sia gravemente danneggiata o completamente esaurita. La cartuccia della batteria può esplodere se a contatto con il fuoco.
8. Fare attenzione a non far cadere e a non colpire la batteria.
9. Non utilizzare una batteria danneggiata.
10. Le batterie a ioni di litio contenute sono soggette ai requisiti del regolamento sul trasporto di merci pericolose (Dangerous Goods Legislation).

Assistenza tecnica

1. Per l'assistenza tecnica relativa all'utensile elettrico, rivolgersi a un riparatore qualificato che utilizzi solo pezzi di ricambio identici. In tal modo, si garantisce che la sicurezza dell'utensile elettrico venga preservata.
2. Seguire le istruzioni per la lubrificazione e la sostituzione degli accessori.
3. Mantenere i manici asciutti, puliti e privi di olio e grasso.

⚠AVVERTIMENTO: NON lasciare che comodità o la familiarità d'utilizzo con il prodotto (acquisita con l'uso ripetuto) sostituisca la stretta osservanza delle norme di sicurezza per il prodotto in questione. L'USO IMPROPRIO o la mancata osservanza delle norme di sicurezza indicate nel presente manuale di istruzioni potrebbero causare gravi lesioni personali.

Istruzioni di sicurezza importanti per la cartuccia della batteria

1. Prima di utilizzare la cartuccia della batteria, leggere tutte le istruzioni e le avvertenze riportate (1) sul caricabatteria, (2) sulla batteria e (3) sul prodotto che utilizza la batteria.
2. Non smontare la cartuccia della batteria.
3. Qualora il tempo di utilizzo si riduca eccessivamente, interrompere immediatamente l'utilizzo dell'utensile. In caso contrario, si può incorrere nel rischio di surriscaldamento, possibili ustioni e persino un'esplosione.
4. Qualora l'elettrolita entri in contatto con gli occhi, sciacquarli con acqua pulita e richiedere immediatamente assistenza medica. Questa eventualità può risultare nella perdita della vista.
5. Non cortocircuitare la cartuccia della batteria:
 - (1) Non toccare i terminali con alcun materiale conduttivo.
 - (2) Evitare di conservare la cartuccia della batteria in un contenitore insieme ad altri oggetti metallici quali chiodi, monete, e così via.
 - (3) Non esporre la cartuccia della batteria all'acqua o alla pioggia.

Un cortocircuito della batteria può causare un grande flusso di corrente, un surriscaldamento, possibili ustioni e persino un guasto.

- Per trasporti commerciali, ad esempio da parte di terzi o spedizionieri, è necessario osservare dei requisiti speciali sull'imballaggio e sull'etichetta. Per la preparazione dell'articolo da spedire, è richiesta la consulenza di un esperto in materiali pericolosi. Attenersi anche alle normative nazionali, che potrebbero essere più dettagliate. Nasturare o coprire i contatti aperti e imballare la batteria in modo tale che non si possa muovere liberamente all'interno dell'imballaggio.
11. Attenersi alle normative locali relative allo smaltimento della batteria.

CONSERVARE LE PRESENTI ISTRUZIONI.

⚠ATTENZIONE: Utilizzare solo batterie originali Makita. L'utilizzo di batterie Makita non originali, o di batterie che siano state alterate, potrebbe risultare nello scoppio della batteria, causando incendi, lesioni personali e danni. Inoltre, ciò potrebbe invalidare la garanzia Makita per l'utensile e il caricabatterie Makita.

Suggerimenti per preservare la durata massima della batteria

1. Caricare la cartuccia della batteria prima che si scarichi completamente. Smettere sempre di utilizzare l'utensile e caricare la cartuccia della batteria quando si nota che la potenza dell'utensile è diminuita.
2. Non ricaricare mai una cartuccia della batteria completamente carica. La sovraccarica riduce la vita utile della batteria.
3. Caricare la cartuccia della batteria a una temperatura ambiente compresa tra 10°C e 40°C. Lasciar raffreddare una cartuccia della batteria prima di caricarla.
4. Caricare la cartuccia della batteria se non la si è utilizzata per un periodo di tempo prolungato (più di sei mesi).

Simbolo N

Il simbolo N è un marchio o un marchio registrato di NFC Formula, Inc. negli Stati Uniti e in altre nazioni nel mondo.

DESCRIZIONE DELLE PARTI

► Fig.1

1	Imbracatura	2	Zainetto	3	Scatola di commutazione	4	Indicatore luminoso pilota (rosso)
5	Indicatore luminoso pilota (verde)	6	Interruttore I/O	7	Fondina	8	Portacavo
9	Cavo di collegamento	10	Cesoie	11	Interruttore a grilletto	-	-

DESCRIZIONE DELLE FUNZIONI

⚠ATTENZIONE: Accertarsi sempre che l'utensile sia spento e che la cartuccia della batteria sia stata rimossa prima di regolare o di controllare il funzionamento dell'utensile.

Installazione o rimozione della cartuccia della batteria

⚠ATTENZIONE: Spegnerne sempre l'utensile prima di installare o rimuovere la cartuccia della batteria.

⚠ATTENZIONE: Mantenere saldamente lo strumento e la batteria quando si intende installare o rimuovere la cartuccia della batteria. Qualora non si mantengano saldamente lo strumento e la cartuccia della batteria, questi ultimi potrebbero scivolare dalle mani, con la possibilità di causare un danneggiamento dello strumento e della cartuccia della batteria, nonché una lesione personale.

► Fig.2: 1. Indicatore rosso 2. Pulsante 3. Cartuccia della batteria 4. Portabatterie

Per rimuovere la cartuccia della batteria, farla scorrere via dall'utensile mentre si fa scorrere allo stesso tempo il pulsante sulla parte anteriore della cartuccia.

Per installare la cartuccia della batteria, allineare l'appendice della batteria con la scanalatura nell'alloggiamento e farla scivolare in sede. Inserirla completamente fino al suo blocco in sede con un leggero scatto. Se è possibile vedere l'indicatore rosso sul lato superiore del pulsante, la batteria non è bloccata completamente.

⚠ATTENZIONE: Installare sempre fino in fondo la cartuccia della batteria, fino a quando l'indicatore rosso non è più visibile. In caso contrario, la batteria potrebbe cadere accidentalmente dall'utensile, causando lesioni personali all'operatore o a chi gli è vicino.

⚠ATTENZIONE: Non installare forzatamente la cartuccia della batteria. Qualora la batteria non si inserisca scorrendo agevolmente, vuol dire che non viene inserita correttamente.

NOTA: Lo strumento non funziona con una sola cartuccia della batteria.

Sistema di protezione strumento/batteria

L'utensile è dotato di un sistema di protezione dell'utensile stesso e della batteria. Tale sistema interrompe automaticamente l'alimentazione al motore per prolungare la vita utile dell'utensile e della batteria. L'utensile si arresta automaticamente durante il funzionamento qualora l'utensile stesso o la batteria si trovino in una delle condizioni seguenti. In alcune condizioni, gli indicatori luminosi sulla scatola di commutazione si illuminano.

Protezione dal sovraccarico

Quando l'utensile viene utilizzato in un modo che causa un assorbimento di corrente elevato in modo anomalo, lo strumento si arresta automaticamente senza alcuna indicazione. In questa situazione, spegnere l'utensile e interrompere l'applicazione che ne ha causato il sovraccarico. Quindi, accendere l'utensile per ricominciare.

Protezione dal surriscaldamento

Quando l'utensile è surriscaldato si arresta automaticamente, e l'indicatore luminoso verde sulla scatola di commutazione lampeggia. In questa situazione, lasciar raffreddare l'utensile prima di riaccenderlo.

Protezione dalla sovrascarica

Quando la carica della batteria si riduce, l'utensile si arresta automaticamente. Inoltre, l'indicatore luminoso rosso sulla scatola di commutazione si illumina o lampeggia. Qualora il prodotto non funzioni anche quando si attivano gli interruttori, rimuovere le batterie dal portabatterie e caricarle.

Indicazione della carica residua della batteria

Solo per le cartucce delle batterie con una "B" alla fine del numero del modello

► Fig.3: 1. Indicatori luminosi 2. Pulsante di controllo

Premere il pulsante di controllo sulla cartuccia della batteria per indicare la carica residua della batteria. Gli indicatori luminosi si illuminano per alcuni secondi.

Indicatori luminosi			Carica residua
■ Illuminato	□ Spento	▬ Lampeggiante	
■	■	■	Dal 75% al 100%
■	■	■	Dal 50% al 75%
■	■	□	Dal 25% al 50%
■	□	□	Dallo 0% al 25%
▬	□	□	Caricare la batteria.
■	■	□	La batteria potrebbe essersi guastata.
□	□	■	

NOTA: A seconda delle condizioni d'uso e della temperatura ambiente, l'indicazione potrebbe variare leggermente rispetto alla carica effettiva.

Utilizzo dell'interruttore

⚠ATTENZIONE: Prima di collegare la batteria alle cesoie, controllare sempre che l'interruttore a grilletto funzioni correttamente e torni sulla posizione "OFF" quando viene rilasciato.

⚠ATTENZIONE: Quando non si intende utilizzare l'utensile, accertarsi sempre che l'interruttore I/O sia sulla posizione "O".

⚠ATTENZIONE: Non premere l'interruttore I/O sulla posizione "I" (accensione) mentre si preme l'interruttore a grilletto. La lama si chiude leggermente e potrebbe causare lesioni personali.

Per accendere l'utensile, effettuare le operazioni seguenti:

1. Collegare la scatola di commutazione, il cavo di collegamento e le cesoie. (Fare riferimento a "Installazione del cavo di collegamento".)
2. Tenere saldamente le cesoie, quindi premere l'interruttore I/O sulla posizione "I" (accensione). L'indicatore luminoso pilota verde si illumina.
► **Fig.4:** 1. Interruttore I/O 2. Indicatore luminoso pilota (verde) 3. Indicatore luminoso pilota (rosso)
3. Le lame delle cesoie sono in modalità di blocco quando l'interruttore I/O viene attivato. Per annullare il blocco, premere due volte l'interruttore a grilletto. La lama superiore delle cesoie si apre automaticamente.
4. Per chiudere la lama delle cesoie, premere l'interruttore a grilletto.
► **Fig.5:** 1. Interruttore a grilletto

Passaggio automatico alla modalità di blocco o alla modalità di spegnimento

Per motivi di sicurezza, l'utensile passa automaticamente alla modalità di blocco o alla modalità di spegnimento, qualora venga lasciato inutilizzato per un determinato periodo di tempo.

Dopo 5 minuti: L'utensile passa alla modalità di blocco. Premere due volte l'interruttore a grilletto per annullare il blocco.

Dopo 15 minuti: L'utensile passa alla modalità di spegnimento, e l'indicatore luminoso pilota verde si spegne. Premere una volta l'interruttore I/O sulla posizione "O" (spegnimento), poi premere di nuovo l'interruttore I/O sulla posizione "I" (accensione), quindi premere due volte l'interruttore a grilletto per annullare il blocco.

Leva del selettore dell'angolo di apertura

► **Fig.6:** 1. Leva del selettore dell'angolo di apertura

Mediante l'inclinazione della leva del selettore dell'angolo di apertura verso il lato sinistro, è possibile far aprire maggiormente la lama superiore delle cesoie. Per limitare l'angolo di apertura della lama superiore delle cesoie, innanzitutto premere a fondo l'interruttore a grilletto, quindi riportare la leva del selettore dell'angolo di apertura sulla posizione diritta.

Regolazione della profondità di taglio

⚠ATTENZIONE: Evitare che le mani o altre parti del corpo si avvicinino alle lame delle cesoie. In caso contrario, si potrebbero causare lesioni personali.

Dopo aver affilato o sostituito la lama delle cesoie, regolare la profondità di taglio, se necessario.

Accendere l'utensile, poi premere l'interruttore a grilletto due volte per aprire le lame delle cesoie, quindi premere l'interruttore I/O sulla posizione "O" (spegnimento).

Per incrementare la profondità di taglio, ruotare la vite di regolazione della profondità di taglio in senso orario con la chiave esagonale. Invece, per ridurre la profondità di taglio, ruotare la vite di regolazione della profondità di taglio in senso antiorario.

► **Fig.7:** 1. Vite di regolazione della profondità di taglio

NOTA: Controllare la profondità di taglio dopo la regolazione. Qualora la profondità di taglio non sia sufficiente, il ramo potrebbe non venire tagliato completamente.

Indicatori luminosi pilota sulla scatola di commutazione

► **Fig.8:** 1. Interruttore I/O 2. Indicatore luminoso pilota (verde) 3. Indicatore luminoso pilota (rosso)

Gli indicatori luminosi verde e rosso indicano quanto segue:

(Acceso: ● Spento: ○ Lampeggiante: ☀)

- L'indicatore luminoso verde si illumina: l'utensile è acceso.

Verde	Rosso
●	○

- L'indicatore luminoso verde e l'indicatore luminoso rosso si illuminano: qualora si inserisca la batteria nel portabatterie mentre l'interruttore I/O è sulla posizione "I" (accensione), entrambi gli indicatori luminosi si illuminano e la lama non si muove anche se si preme l'interruttore a grilletto. In questo caso, premere una volta l'interruttore I/O sulla posizione "O" (spegnimento), quindi premere di nuovo l'interruttore I/O sulla posizione "I" (accensione).

Verde	Rosso
●	●

- L'indicatore luminoso verde lampeggia: l'utensile è surriscaldato. Lasciar raffreddare l'utensile prima di riaccenderlo.

	Verde	Rosso
☀	☀	○

- L'indicatore luminoso verde si illumina e l'indicatore luminoso rosso lampeggia o si illumina: la carica della batteria è bassa o quasi completamente esaurita. Caricare le batterie. Quando la carica di una delle batterie diventa bassa, l'indicatore luminoso rosso lampeggia, anche se una delle batterie è completamente carica.

	Verde	Rosso
☀	●	☀ / ●

- Gli indicatori luminosi verde e rosso lampeggiano alternativamente: l'utensile ha rilevato la rottura di un filo. Controllare il cavo di collegamento per eventuali allentamenti del collegamento con la scatola di commutazione e le cesoie. Qualora gli indicatori luminosi continuino a lampeggiare alternativamente, interrompere immediatamente l'utilizzo dell'utensile, scollegare il cavo di collegamento, rimuovere la batteria, quindi rivolgersi al proprio centro di assistenza autorizzato locale per la riparazione.

⚠	Gli indicatori luminosi lampeggiano alternativamente
	○ ● ↔ ● ○

MONTAGGIO

⚠ATTENZIONE: Accertarsi sempre che l'utensile sia spento e che la cartuccia della batteria sia stata rimossa, prima di effettuare qualsiasi intervento sull'utensile.

Installazione del portabatterie nello zainetto

► Fig.9: 1. Fibbia 2. Portabatterie 3. Cinturino

1. Far passare la scatola di commutazione attraverso l'apertura (a destra o a sinistra) dello zainetto.
2. Far passare il cinturino attraverso il foro quadrato del portabatterie, quindi fissare il portabatterie con il cinturino. Accertarsi che il portabatterie sia alloggiato saldamente nello zainetto.

Installazione della fondina

► Fig.10: 1. Fondina 2. Cinturino

Far passare la cintura della fibbia inferiore attraverso l'apertura della fondina.

Regolazione dell'imbracatura

Regolare l'imbracatura nel modo seguente:

1. Chiudere e bloccare la fibbia inferiore, quindi regolare la lunghezza della sua cintura.

► Fig.11: 1. Fibbia inferiore

2. Regolare la lunghezza della bretella.

► Fig.12

3. Regolare la posizione della fibbia superiore. Chiudere e bloccare la fibbia superiore, quindi regolare la lunghezza della sua cintura.

► Fig.13: 1. Fibbia superiore

⚠ATTENZIONE: In caso di emergenza, aprire rapidamente la fibbia inferiore e la fibbia superiore, allentare le bretelle, quindi appoggiare a terra lo zainetto.

Installazione del cavo di collegamento

⚠ATTENZIONE: Accertarsi sempre che l'interruttore I/O della scatola di commutazione sia posizionato sul lato "O" prima di montare il cavo di collegamento.

⚠ATTENZIONE: Non far funzionare l'utensile qualora il cavo di collegamento sia danneggiato.

AVVISO: Non sottoporre a stress il cavo di collegamento. Non trasportare l'utensile tirando il cavo di collegamento. Tenere il cavo di collegamento lontano da fonti di calore, olio o bordi affilati. In caso contrario, il cavo di collegamento potrebbe danneggiarsi.

Agganciare il cavo di collegamento alla scatola di commutazione e alle cesoie nel modo seguente:

1. Innanzitutto, allineare i simboli triangolari sullo spinotto maschio del cavo di collegamento con il simbolo triangolare sul connettore femmina della scatola di commutazione. Inserire lo spinotto del cavo di collegamento nel connettore della scatola di commutazione. Quindi, allineare l'indicazione sul giunto di accoppiamento con i simboli triangolari, e premere verso l'interno e ruotare il giunto di accoppiamento per serrarlo.

- **Fig.14:** 1. Simbolo triangolare 2. Cavo di collegamento 3. Scatola di commutazione 4. Indicazione sul giunto di accoppiamento 5. Giunto di accoppiamento

AVVISO: Quando si intende scollegare il cavo di collegamento, ruotare innanzitutto il giunto di accoppiamento e allineare l'indicazione sul giunto di accoppiamento con i simboli triangolari.

2. Appendere la scatola di commutazione sulla cintura alla vita o sulla cintura superiore.

► **Fig.15**

3. Spingere il cavo di collegamento nell'anello del portacavo.

► **Fig.16**

Appendere il portacavo sulla cintura superiore o sulla cintura alla vita, quella su cui non sia appesa la scatola di commutazione.

Il portacavo evita che il cavo di collegamento penzoli dal corpo, e inoltre il portacavo può evitare che il cavo di collegamento venga tagliato per errore.

► **Fig.17**

► **Fig.18**

AVVISO: Non appendere al portacavo alcun oggetto diverso dal cavo di collegamento. In caso contrario, il portacavo potrebbe rompersi.

AVVISO: Non forzare l'apertura del portacavo.

In caso contrario, si potrebbe deformare o rompere il portacavo.

4. Applicare il bracciale sul braccio. Quindi, infilare il cavo di collegamento attraverso il bracciale.

► **Fig.19:** 1. Bracciale

5. Innanzitutto, allineare i simboli triangolari sulla presa femmina del cavo di collegamento con il simbolo triangolare del connettore maschio delle cesoie. Inserire la presa del cavo di collegamento nel connettore delle cesoie. Quindi, allineare l'indicazione sul giunto di accoppiamento con i simboli triangolari, e premere verso l'interno e ruotare il giunto di accoppiamento per serrarlo.

► **Fig.20:** 1. Simbolo triangolare 2. Cavo di collegamento 3. Cesoie 4. Indicazione sul giunto di accoppiamento 5. Giunto di accoppiamento

AVVISO: Quando si intende scollegare il cavo di collegamento, ruotare innanzitutto il giunto di accoppiamento e allineare l'indicazione sul giunto di accoppiamento con i simboli triangolari.

Inserimento delle cesoie nella fondina

Tenere premuto l'interruttore a grilletto per chiudere le lame delle cesoie, quindi premere l'interruttore I/O dal lato "O" per spegnere l'utensile. Quindi, inserire le cesoie nella fondina e mantenere le cesoie con il cinturino della fondina.

FUNZIONAMENTO

ATTENZIONE: Mantenere sempre saldamente l'utensile. Inoltre, mantenere sempre i piedi appoggiati saldamente.

ATTENZIONE: Non avvicinare alcuna parte del corpo alle lame durante il funzionamento.

ATTENZIONE: Prima dell'uso, verificare che le lame, i bulloni delle lame o altre parti non siano usurati o danneggiati. Per un funzionamento sicuro, sostituire le parti usurate o danneggiate.

AVVISO: Qualora la lama resti incastrata in un ramo durante l'uso, non torcere la lama. In tale situazione, spegnere l'utensile ed estrarre le lame lentamente dal ramo tenendole diritte. In caso contrario, le lame potrebbero venire danneggiate.

AVVISO: Qualora si tagli un ramo troppo spesso o qualcosa di troppo duro, la protezione dal sovraccarico si attiva e l'utensile si arresta. In tale situazione, qualora la lama superiore delle cesoie sia eccessivamente aperta e l'interruttore a grilletto sia completamente premuto, la lama superiore si chiude leggermente quando si preme l'interruttore I/O sulla posizione "I" (accensione) per riavviare l'utensile.

Operazioni di potatura

► **Fig.21**

Tagliare i rami uno alla volta. Lo spessore massimo dei rami che possono essere tagliati con le presenti cesoie è di circa 33 mm. Mantenere sempre i piedi appoggiati saldamente e il corpo correttamente bilanciato.

Dopo l'uso

Chiudere le lame delle cesoie, premere l'interruttore I/O sulla posizione "O" (spegnimento), quindi scollegare il cavo di collegamento dalle cesoie e dalla scatola di commutazione e rimuovere le batterie dal portabatterie. Conservare le cesoie in un luogo asciutto, alto o chiuso a chiave, fuori dalla portata dei bambini.

AVVISO: Rimuovere le batterie quando non si intende utilizzare le cesoie. In caso contrario, la carica delle batterie si riduce con il passare del tempo.

MANUTENZIONE

ATTENZIONE: Accertarsi sempre che l'utensile sia spento e che la cartuccia della batteria sia stata rimossa prima di tentare di eseguire interventi di ispezione o manutenzione.

ATTENZIONE: Indossare guanti di sicurezza quando si maneggiano le lame. In caso contrario, si potrebbero causare lesioni personali.

AVVISO: Non utilizzare mai benzina, benzene, solventi, alcol o altre sostanze simili. In caso contrario, si potrebbero causare scolorimenti, deformazioni o crepe.

Manutenzione delle lame

AVVISO: La mancata manutenzione delle lame potrebbe causare un attrito eccessivo delle lame e ridurre il tempo di utilizzo per ogni carica della batteria.

Prima e dopo l'uso, controllare con cura le lame delle cesoie.

Dopo l'uso, pulire le lame con una spazzola dura. Quindi, pulire le lame con un panno. Inoltre, applicare olio per macchine originale Makita sul filo delle lame e sulla parte mobile.

► Fig.22

Affilatura delle lame

Lama superiore delle cesoie

1. Applicare la superficie piatta della lima diamantata sul filo della lama.

Spingere la lima diamantata verso la punta della lama per affilarla lungo l'intero filo della lama.

Mantenere in modo uniforme lo stesso contatto piatto della lima lungo l'intero filo della lama.

► Fig.23: 1. Lima diamantata

2. Applicare leggermente la superficie piatta della lima diamantata sul lato opposto della lama.

Spostare leggermente la lima diamantata verso la punta della lama per rimuovere le sbavature.

► Fig.24

AVVISO: Non affilare eccessivamente questo lato. Limarlo solo leggermente per rimuovere le sbavature. In caso contrario, lo spazio tra le lame potrebbe diventare eccessivo o la vita utile delle lame potrebbe venire ridotta.

Lama inferiore delle cesoie

1. Applicare la superficie rotonda della lima diamantata sul filo della lama.

Spingere la lima diamantata verso la punta della lama per affilarla lungo l'intero filo della lama.

► Fig.25

2. Applicare leggermente la superficie piatta della lima diamantata sul lato opposto della lama.

Spostare leggermente la lima diamantata verso la punta della lama per rimuovere le sbavature.

► Fig.26

AVVISO: Non affilare eccessivamente questo lato. Limarlo solo leggermente per rimuovere le sbavature. In caso contrario, lo spazio tra le lame potrebbe diventare eccessivo o la vita utile delle lame potrebbe venire ridotta.

Regolazione della distanza tra le lame

► Fig.27: 1. Bullone di fissaggio della piastra
2. Piastra di bloccaggio
3. Dado di serraggio delle lame

Di tanto in tanto, regolare lo spazio tra le lame delle cesoie nel modo seguente:

1. Accendere l'utensile, quindi premere l'interruttore a grilletto per aprire le lame delle cesoie.

2. Con le lame delle cesoie aperte, spegnere l'utensile. Quindi, scollegare il cavo di collegamento dall'utensile.

3. Allentare il bullone di fissaggio della piastra. Quindi, rimuovere la piastra di bloccaggio.

4. Regolare manualmente il serraggio del dado di serraggio delle lame (coppia di serraggio per il dado di serraggio delle lame: circa 0,5 N•m).

5. Installare di nuovo la piastra di bloccaggio e il bullone di fissaggio della piastra.

6. Controllare il serraggio della lama in modo che le lame non tremolino mai, ma affinché sia possibile aprire o chiudere la lama superiore di circa 3 mm a mano. Qualora le lame siano troppo serrate o allentate, regolare di nuovo la distanza.

AVVISO: Fare attenzione alla distanza tra le lame. Una distanza troppo allentata potrebbe risultare in un taglio smussato, mentre una distanza tra le lame troppo stretta potrebbe risultare nel sovraccarico del motore e in un tempo breve di funzionamento dell'utensile.

Rimozione o installazione delle lame delle cesoie

Per rimuovere le lame delle cesoie, attenersi alla procedura seguente:

1. Innanzitutto, inclinare la leva del selettore dell'angolo di apertura verso il lato sinistro, per far aprire completamente le lame.

2. Accendere l'utensile, quindi premere l'interruttore a grilletto per aprire le lame delle cesoie.

3. Con le lame delle cesoie aperte, spegnere l'utensile. Quindi, scollegare il cavo di collegamento dall'utensile.

► Fig.28

4. Rimuovere con la chiave esagonale i due bulloni in prossimità dell'interruttore a grilletto.

Rimuovere la protezione del grilletto separando la linguetta sulla protezione del grilletto dalla scanalatura dell'alloggiamento.

► Fig.29: 1. Bulloni 2. Protezione del grilletto

5. Rimuovere l'anello d'arresto sul braccio di collegamento con un cacciavite a testa scanalata o uno strumento simile.

► Fig.30: 1. Anello d'arresto 2. Braccio di collegamento

AVVISO: L'anello d'arresto è un componente non riutilizzabile. Non riutilizzare l'anello d'arresto durante il rimontaggio.

6. Rimuovere con attenzione il perno.
▶ **Fig.31:** 1. Perno
7. Rimuovere i due bulloni dalla superficie laterale dell'alloggiamento.
▶ **Fig.32:** 1. Bulloni
8. Rimuovere con attenzione le cesoie superiore e inferiore dall'alloggiamento.
▶ **Fig.33**
9. Per separare la lama superiore dalla lama inferiore, allentare innanzitutto il bullone di fissaggio della piastra.
Quindi, rimuovere la piastra di bloccaggio.
▶ **Fig.34:** 1. Bullone di fissaggio della piastra
2. Piastra di bloccaggio
10. Allentare e rimuovere il dado di serraggio delle lame.
▶ **Fig.35:** 1. Dado di serraggio delle lame 2. Bullone di serraggio delle lame

Per installare le lame delle cesoie, eseguire la procedura indicata sopra al contrario. Accertarsi che tutti i bulloni siano serrati saldamente.

Dopo aver installato la lama, regolare sempre la distanza tra le lame. (Vedere "Regolazione dello spazio tra le lame".)

Per installare le lame delle cesoie, eseguire la procedura indicata sopra al contrario. Quando si intende installare le lame delle cesoie, fare attenzione ai punti seguenti:

- Applicare olio o grasso per macchine sul bullone di serraggio delle lame e tra le lame.
- Qualora non si riesca a inserire correttamente il bullone di fissaggio della piastra, innanzitutto rimuovere dalla piastra di bloccaggio la guarnizione circolare e il bullone di fissaggio della piastra. Quindi, capovolgere la piastra di bloccaggio e rimettere al suo posto la guarnizione circolare e il bullone di fissaggio della piastra.
- Quando si intende installare la protezione del grilletto, allineare la linguetta della protezione del grilletto con la scanalatura dell'alloggiamento.

▶ **Fig.36**

- Accertarsi che tutti i bulloni siano serrati saldamente.
- Dopo aver installato la lama, regolare sempre la distanza tra le lame. (Vedere "Regolazione dello spazio tra le lame".)
- Dopo aver installato la lama, regolare sempre la profondità di taglio. (Vedere "Regolazione della profondità di taglio".)

Risoluzione dei problemi

Prima di effettuare una richiesta di riparazione, controllare il problema personalmente. Qualora si rilevi una qualsiasi anomalia, controllare l'utensile in base alla descrizione del presente manuale. Qualora la misura correttiva menzionata di seguito non riesca a risolvere il problema, rivolgersi al proprio centro di assistenza autorizzato locale per le riparazioni. Non modificare né smontare alcuna parte in modo contrario alla descrizione.

Stato di anomalia	Causa probabile (guasto)	Azione correttiva
La lama delle cesoie non si sposta anche dopo aver premuto l'interruttore a grilletto.	La batteria è scarica.	Caricare la batteria.
	L'interruttore I/O è sulla posizione "Off".	Premere l'interruttore I/O sulla posizione "I".
	Le cesoie sono bloccate.	Sbloccare le cesoie attenendosi alla procedura descritta in "Utilizzo dell'interruttore".
	Il cavo di collegamento è allentato.	Controllare i punti di collegamento del cavo di collegamento sulla scatola di commutazione e sulle cesoie.
	L'interruttore I/O è sulla posizione di "accensione" mentre si inserisce la cartuccia della batteria.	Premere una volta l'interruttore I/O sulla posizione "O" (spegnimento), quindi premere di nuovo l'interruttore I/O sulla posizione "I" (accensione).
Le lame delle cesoie sono incastrate nel ramo.	Difetto dell'interruttore a grilletto.	Interrompere immediatamente l'utilizzo dell'utensile e rivolgersi al proprio centro di assistenza autorizzato locale per le riparazioni.
	Il ramo è troppo spesso.	Rilasciare l'interruttore a grilletto. Premere l'interruttore I/O sulla posizione "O". Quindi, estrarre lentamente le lame dal ramo tenendole diritte.
L'interruttore a grilletto è bloccato e non è possibile premerlo.	Le lame delle cesoie sono state aperte forzatamente.	Spegnere e riaccendere l'utensile con l'interruttore I/O. (La lama superiore delle cesoie si chiude leggermente quando si accende l'utensile.)
Il taglio non è uniforme.	Le lame delle cesoie sono spuntate.	Affilare le lame delle cesoie o regolare la distanza tra le lame.
	Le lame delle cesoie sono consumate.	Sostituire le lame delle cesoie.

Per preservare la SICUREZZA e l'AFFIDABILITÀ del prodotto, le riparazioni e qualsiasi altro intervento di manutenzione e di regolazione devono essere eseguiti da un centro di assistenza autorizzato Makita, utilizzando sempre ricambi Makita.

ACCESSORI OPZIONALI

⚠ATTENZIONE: Questi accessori o componenti aggiuntivi sono consigliati per l'uso con l'utensile Makita specificato nel presente manuale.

L'impiego di altri accessori o componenti aggiuntivi può costituire un rischio di lesioni alle persone.

Utilizzare gli accessori o i componenti aggiuntivi solo per il loro scopo prefissato.

Per ottenere ulteriori dettagli relativamente a questi accessori, rivolgersi a un centro di assistenza Makita.

- Lama superiore delle cesoie
- Lama inferiore delle cesoie
- Lima diamantata
- Bracciale
- Fondina
- Portacavo
- Batteria e caricabatterie originali Makita

NOTA: Alcuni articoli nell'elenco potrebbero essere inclusi nell'imballaggio dell'utensile come accessori standard. Tali articoli potrebbero variare da nazione a nazione.

TECHNISCHE GEGEVENS

Model:	DUP361	
Max. snoeicapaciteit	33 mm	
Totale lengte (snoeischaar-gedeelte)	305 mm	
Nominale spanning	Gelijkstroom 36 V	
Accu	BL1815N, BL1820, BL1820B	BL1830, BL1830B, BL1840, BL1840B, BL1850, BL1850B, BL1860B
Nettogewicht (met snoeischaar, schakeldoos, aansluitkabel, twee accu's en rugzak)	3,3 kg	3,8 kg

- In verband met ononderbroken research en ontwikkeling, behouden wij ons het recht voor de bovenstaande technische gegevens zonder voorafgaande kennisgeving te wijzigen.
- De technische gegevens van de accu kunnen van land tot land verschillen.
- Gewicht, inclusief accu, volgens de EPTA-procedure 01/2003

Symbolen

Hieronder staan de symbolen die voor het gereedschap worden gebruikt. Zorg ervoor dat u weet wat ze betekenen alvorens het gereedschap te gebruiken.



Lees de gebruiksaanwijzing.



Stel niet bloot aan vocht.



Gevaar: let op weggeworpen voorwerpen.



Houd omstanders uit de buurt.



Alleen voor EU-landen
Geef elektrisch gereedschap en accu's niet met het huisvuil mee!
Volgens de Europese richtlijn inzake oude elektrische en elektronische apparaten, en inzake batterijen en accu's en oude batterijen en accu's, en de toepassing daarvan binnen de nationale wetgeving, dienen elektrisch gereedschap, accu's en batterijen die het einde van hun levensduur hebben bereikt, gescheiden te worden ingezameld en te worden afgevoerd naar een recyclebedrijf dat voldoet aan de geldende milieu-eisen.

Gebruiksdoelinden

Het gereedschap is bedoeld voor het snoeien van takjes of takken.

Geluidsniveau

De typische, A-gewogen geluidsniveaus zijn gemeten volgens EN50636:

Geluidsdrukniveau (L_{pA}): 70 dB (A) of lager
Onzekerheid (K): 3,2 dB (A)

Het geluidsniveau kan tijdens gebruik hoger worden dan 80 dB (A).

WAARSCHUWING: Draag gehoorbescherming.

Trilling

De totale trillingswaarde (triaxiale vectorsom) zoals vastgesteld volgens EN50636:
Trillingsemismissie (a_h): 2,5 m/s² of lager
Onzekerheid (K): 1,5 m/s²

OPMERKING: De opgegeven trillingsemismissiewaarde is gemeten volgens de standaardtestmethode en kan worden gebruikt om dit gereedschap te vergelijken met andere gereedschappen.

OPMERKING: De opgegeven trillingsemismissiewaarde kan ook worden gebruikt voor een beoordeling vooraf van de blootstelling.

WAARSCHUWING: De trillingsemismissie tijdens het gebruik van het elektrisch gereedschap in de praktijk kan verschillen van de opgegeven trillingsemismissiewaarde afhankelijk van de manier waarop het gereedschap wordt gebruikt.

WAARSCHUWING: Zorg ervoor dat veiligheidsmaatregelen worden getroffen ter bescherming van de operator die zijn gebaseerd op een schatting van de blootstelling onder praktijkomstandigheden (rekening houdend met alle fasen van de bedrijfscyclus, zoals de tijdsduur gedurende welke het gereedschap is uitgeschakeld en stationair draait, naast de ingeschakelde tijdsduur).

EU-verklaring van conformiteit

Alleen voor Europese landen

Makita verklaart hierbij dat de volgende machine(s):

Aanduiding van de machine: Accusnoeischaar

Modelnr./Type: DUP361

Voldoet aan de volgende Europese richtlijnen:
2006/42/EU

Ze zijn gefabriceerd in overeenstemming met de volgende norm of genormaliseerde documenten: EN ISO 12100



Yasushi Fukaya
Directeur
Makita, Jan-Baptist Vinkstraat 2, 3070, België

Veiligheidswaarschuwingen voor een snoeischaar

⚠️ WAARSCHUWING: Lees alle veiligheids-
waarschuwingen en alle instructies. Het niet vol-
gen van de waarschuwingen en instructies kan leiden
tot elektrische schokken, brand en/of ernstig letsel.

Bewaar alle waarschuwingen en instructies om in de toekomst te kunnen raadplegen.

De term "elektrisch gereedschap" in de veiligheidsvoor-
schriften duidt op gereedschappen die op stroom van
het lichtnet werken (met snoer) of gereedschappen met
een accu (snoerloos).

- Gebruik persoonlijke-veiligheidsmid-
delen. Draag altijd oogbescherming.**
Veiligheidsmiddelen, zoals stofmaskers, slipvaste
veiligheidsschoenen, veiligheidshelm en gehoor-
bescherming, gebruikt in toepasselijke situaties,
dragen bij tot vermindering van persoonlijk letsel.
- Voorkom onbedoeld starten. Controleer dat de
schakelaar in de uit-stand staat alvorens het
gereedschap aan te sluiten op de voeding en/
of accu, op te pakken of te dragen.** Door elek-
trisch gereedschap te dragen met uw vinger op de
schakelaar, of door het gereedschap op een voe-
ding aan te sluiten terwijl de schakelaar aan staat,
neemt de kans op ongelukken sterk toe.
- Draag geschikte kleding. Draag geen losse
kleding of sieraden. Houd uw haar, kleding en
handschoenen uit de buurt van bewegende
delen.** Loshangende kleding, sieraden en lang
haar kunnen verstrikt raken in bewegende delen.
- Dit gereedschap is voor het snoeien van tak-
ken.** Gebruik het niet voor enig ander werk dan
waarvoor het is bedoeld.
- Laat nooit kinderen, personen met een ver-
minderd lichamelijk, zintuiglijk of geestelijk
vermogen, of gebrek aan kennis en ervaring,
of mensen die niet bekend zijn met deze
gebruiksaanwijzing, het gereedschap gebrui-
ken. Lokale regelgeving kan de leeftijd van de
gebruiker beperken.**
- Gebruik het gereedschap nooit wanneer men-
sen, met name kinderen, of huisdieren zich in
de buurt bevinden.**
- Reik niet te ver en bewaar altijd uw evenwicht.**
Zorg er altijd voor dat u stevig staat op een helling
en nooit rent, maar wandelt.

- Raak bewegende, gevaarlijke delen niet aan
voordat het gereedschap is losgekoppeld van
het elektriciteitsnet en/of de accu vanaf het
gereedschap is verwijderd.**
- Draag altijd stevige schoenen en een lange
broek wanneer u het gereedschap bedient.**
- Koppel het gereedschap los van de voe-
ding en/of verwijder de accu vanaf het
gereedschap:**
 - wanneer het gereedschap wordt achtergela-
ten door de gebruiker,
 - alvorens een blokkade op te heffen,
 - alvorens het gereedschap te controleren,
reinigen of onderhouden,
 - na het raken van een vreemd voorwerp om
het gereedschap te inspecteren op bescha-
diging, en
 - wanneer het gereedschap abnormaal begint
te trillen om het onmiddellijk te inspecteren.
- Bedien het gereedschap nooit met defecte
beschermkappen of schilden, of zonder vei-
ligheidsinrichtingen, en wanneer de kabel
beschadigd of versleten is.**
- Vermijd het gebruik van het gereedschap bij
slechte weersomstandigheden, met name
wanneer de kans op bliksem bestaat.**
- Gebruik het gereedschap niet en laad de accu
niet op in de regen.**
- Laat het gereedschap niet achter in de regen of
op natte plaatsen.**
- Zorg ervoor dat geen vreemde voorwerpen
tussen de schaarbladen blijven zitten.** Indien de
schaarbladen vanwege vreemde voorwerpen klem
zitten, dient u het gereedschap onmiddellijk uit te
schakelen en de accu van het gereedschap los te
koppelen. Verwijder dan de vreemde voorwerpen
uit de schaarbladen.
- Houd de tak die u aan het snoeien bent nooit
met uw vrije hand vast.** Houd uw vrije hand weg
van de plaats waar u snoeit. Raak de schaarbla-
den nooit aan, aangezien deze scherp zijn en
snijwonden kunnen veroorzaken.
- Forceer het gereedschap niet om iets af te
snijden.** U zou kunnen uitglijden en verwondingen
oplopen of ongewild iets anders afsnijden.
- Pas op dat u niet snijdt in mogelijk verborgen
elektrische draden.**
- Controleer altijd zorgvuldig de schaarbladen
alvorens het gereedschap te gebruiken.**
- Behandel de schaarbladen met de grootste
voorzichtigheid om snijwonden of verwonding
te voorkomen.**
- Koppel de accu los van het gereedschap na elk
gebruik en ook telkens voordat u begint met
inspectie of onderhoud.**
- Houd het gereedschap altijd in zijn holster
wanneer u het niet gebruikt.**

**Gebruik en verzorging van gereedschap dat op een
accu werkt**

- Laad alleen op met de acculader aanbevolen
door de fabrikant.** Een acculader die geschikt
is voor een bepaald type accu, kan brandgevaar
opleveren indien gebruikt met een ander type accu.

2. **Gebruik elektrisch gereedschap uitsluitend met de daarvoor bestemde accu.** Gebruik van andere accu's kan gevaar voor letsel of brandgevaar opleveren.
3. **Als de accu niet wordt gebruikt, houdt u deze uit de buurt van metalen voorwerpen, zoals paperclips, muntgeld, sleutels, spijkers, schroeven en andere kleine metalen voorwerpen die een kortsluiting kunnen veroorzaken tussen de accupolen.** Kortsluiting tussen de accupolen kan leiden tot brandwonden of brand.
4. **Onder zware gebruiksomstandigheden kan vloeistof uit de accu komen. Voorkom aanraking!** Als u er per ongeluk mee in aanraking komt, spoelt u het er met water af. Als de vloeistof in uw ogen komt, raadpleegt u tevens een arts. Vloeistof uit de accu kan irritatie en brandwonden veroorzaken.

Reparatie

1. **Laat uw elektrisch gereedschap repareren door een vakbekwame reparateur die gebruik maakt van uitsluitend identieke vervangingsonderdelen.** Zo bent u ervan verzekerd dat de veiligheid van het elektrisch gereedschap behouden blijft.
2. **Volg de instructies voor het smeren en verwisselen van accessoires.**
3. **Houd de handgrepen droog, schoon en vrij van olie en vetten.**

⚠️ WAARSCHUWING: Laat u NIET misleiden door een vals gevoel van comfort en bekendheid met het gereedschap (na veelvuldig gebruik) en neem alle veiligheidsvoorschriften van het betreffende gereedschap altijd strikt in acht. **VERKEERD GEBRUIK** of het niet naleven van de veiligheidsvoorschriften in deze gebruiksaanwijzing kan leiden tot ernstig persoonlijk letsel.

Belangrijke veiligheidsinstructies voor een accu

1. Lees alle voorschriften en waarschuwingen op (1) de acculader, (2) de accu, en (3) het product waarvoor de accu wordt gebruikt, alvorens de accu in gebruik te nemen.
2. **Neem de accu niet uit elkaar.**
3. **Als de gebruikstijd van een opgeladen accu aanzienlijk korter is geworden, moet u het gebruik ervan onmiddellijk stopzetten.** Voortgezet gebruik kan oververhitting, brandwonden en zelfs een ontploffing veroorzaken.
4. **Als elektrolyt in uw ogen is terechtgekomen, spoelt u uw ogen met schoon water en roept u onmiddellijk de hulp van een dokter in.** Elektrolyt in de ogen kan blindheid veroorzaken.
5. **Voorkom kortsluiting van de accu:**
 - (1) **Raak de accuklemmen nooit aan met een geleidend materiaal.**
 - (2) **Bewaar de accu niet in een bak waarin andere metalen voorwerpen zoals spijkers, munten e.d. worden bewaard.**

(3) **Stel de accu niet bloot aan water of regen.** Kortsluiting van de accu kan oorzaak zijn van een grote stroomafgifte, oververhitting, brandwonden, en zelfs defecten.

6. **Bewaar het gereedschap en de accu niet op plaatsen waar de temperatuur kan oplopen tot 50°C of hoger.**
7. **Werp de accu nooit in het vuur, ook niet wanneer hij zwaar beschadigd of volledig versleten is. De accu kan ontploffen in het vuur.**
8. **Wees voorzichtig dat u de accu niet laat vallen en hem niet blootstelt aan schokken of stoten.**
9. **Gebruik nooit een beschadigde accu.**
10. **De bijgeleverde lithium-ionbatterijen zijn onderhevig aan de vereisten in de wetgeving omtrent gevaarlijke stoffen.** Voor commercieel transport en dergelijke door derden en transporteurs moeten speciale vereisten ten aanzien van verpakking en etikettering worden nageleefd. Als voorbereiding van het artikel dat wordt getransporteerd is het noodzakelijk een expert op het gebied van gevaarlijke stoffen te raadplegen. Houd u tevens aan mogelijk strengere nationale regelgeving. Blootliggende contactpunten moeten worden afgedekt met tape en de accu moet zodanig worden verpakt dat deze niet kan bewegen in de verpakking.
11. **Volg bij het weggoien van de accu de plaatselijke voorschriften.**

BEWAAR DEZE INSTRUCTIES.

⚠️ LET OP: Gebruik uitsluitend originele Makita accu's. Het gebruik van niet-originele accu's, of accu's die zijn gewijzigd, kan ertoe leiden dat de accu ontploft en brand, persoonlijk letsel en schade veroorzaakt. Ook vervalt daarmee de garantie van Makita op het gereedschap en de lader van Makita.

Tips voor een maximale levensduur van de accu

1. **Laad de accu op voordat hij volledig ontladen is. Stop het gebruik van het gereedschap en laad de accu op telkens wanneer u vaststelt dat het vermogen van het gereedschap is afgenomen.**
2. **Laad een volledig opgeladen accu nooit opnieuw op. Te lang opladen verkort de levensduur van de accu.**
3. **Laad de accu op bij een omgevingstemperatuur tussen 10°C en 40°C. Laat een warme accu afkoelen alvorens hem op te laden.**
4. **Laad de accu op als u deze gedurende een lange tijd (meer dan zes maanden) niet gaat gebruiken.**

N-markering

De N-markering is een handelsmerk of gedeponeerde handelsmerk van NFC Formula, Inc. in de Verenigde Staten van Amerika en in andere landen van de wereld.

BESCHRIJVING VAN DE ONDERDELEN

► Fig.1

1	Draagstel	2	Rugzak	3	Schakeldoos	4	Controlelampje (rood)
5	Controlelampje (groen)	6	I/O-schakelaar	7	Holster	8	Kabelhouder
9	Aansluitkabel	10	Snoeischaar	11	Trekkerschakelaar	-	-

BESCHRIJVING VAN DE FUNCTIES

⚠ LET OP: Zorg altijd dat het gereedschap is uitgeschakeld en de accu ervan is verwijderd alvorens de functies op het gereedschap af te stellen of te controleren.

De accu aanbrengen en verwijderen

⚠ LET OP: Schakel het gereedschap altijd uit voordat u de accu aanbrengt of verwijdert.

⚠ LET OP: Houd het gereedschap en de accu stevig vast tijdens het aanbrengen of verwijderen van de accu. Als u het gereedschap en de accu niet stevig vasthoudt, kunnen deze uit uw handen glijpen en het gereedschap of de accu beschadigen, of kan persoonlijk letsel worden veroorzaakt.

► Fig.2: 1. Rood gedeelte 2. Knop 3. Accu 4. Accuhouder

Om de accu te verwijderen verschuift u de knop aan de voorkant van de accu en schuift u tegelijkertijd de accu uit het gereedschap.

Om de accu aan te brengen lijnt u de lip op de accu uit met de groef in de behuizing en duwt u de accu op zijn plaats. Steek de accu zo ver mogelijk in het gereedschap tot u een klinkgeluid hoort. Als u het rode deel aan de bovenkant van de knop kunt zien, is de accu niet goed aangebracht.

⚠ LET OP: Breng de accu altijd helemaal aan totdat het rode deel niet meer zichtbaar is. Als u dit niet doet, kan de accu per ongeluk uit het gereedschap vallen en u of anderen in uw omgeving verwonden.

⚠ LET OP: Breng de accu niet met kracht aan. Als de accu niet gemakkelijk in het gereedschap kan worden geschoven, wordt deze niet goed aangebracht.

OPMERKING: Het gereedschap werkt niet als slechts één accu is aangebracht.

Gereedschap-/accubeveiligingssysteem

Het gereedschap is uitgerust met een gereedschap-/accubeveiligingssysteem. Dit systeem sluit automatisch de voeding naar de motor af om de levensduur van het gereedschap en de accu te verlengen. Het gereedschap zal tijdens gebruik automatisch stoppen wanneer het gereedschap of de accu zich in een van de volgende omstandigheden bevindt. Onder sommige omstandigheden branden de lampjes op de schakeldoos.

Overbelastingsbeveiliging

Wanneer het gereedschap wordt gebruikt op een manier die een abnormaal hoge stroomsterkte vergt, stopt het gereedschap automatisch zonder dat een indicatorlampje gaat branden. Schakel in dat geval het gereedschap uit en stop het gebruik dat ertoe leidde dat het gereedschap overbelast raakte. Schakel daarna het gereedschap weer in om verder te gaan.

Oververhittingsbeveiliging

Wanneer het gereedschap oververhit is, stopt het gereedschap automatisch en knippert het groene lampje op de schakeldoos. In die situatie laat u het gereedschap eerst afkoelen voordat u het gereedschap opnieuw inschakelt.

Beveiliging tegen te diepe ontlading



















Wanneer de acculading laag wordt, stopt het gereedschap automatisch. Het rode lampje op de schakeldoos brandt of knippert. Als het gereedschap niet werkt, ook niet wanneer de schakelaars worden bediend, verwijdert u de accu's vanaf de accuhouder en laadt u de accu's op.

De resterende acculading controleren

Alleen voor accu's waarvan het modelnummer eindigt op "B".

► Fig.3: 1. Indicatorlampjes 2. Testknop

Druk op de testknop op de accu om de resterende acculading te zien. De indicatorlampjes branden gedurende enkele seconden.

Indicatorlampjes			Resterende acculading
 Brandt	 Uit	 Knippert	
			75% tot 100%
			50% tot 75%
			25% tot 50%
			0% tot 25%
			Laad de accu op.
			Er kan een storing zijn opgetreden in de accu.
			

OPMERKING: Afhankelijk van de gebruiksomstandigheden en de omgevingstemperatuur, is het mogelijk dat de aangegeven acculading verschilt van de werkelijke acculading.

Werking van de schakelaar

⚠️ LET OP: Alvorens u de accu op de snoeischaar aansluit, moet u altijd eerst controleren of de trekkerschakelaar juist werkt en bij loslaten naar de "OFF"-stand terugkeert.

⚠️ LET OP: Wanneer u het gereedschap niet gebruikt, zorgt u er altijd voor dat de I/O-schakelaar aan de "O"-kant staat.

⚠️ LET OP: Duw de I/O-schakelaar niet naar de "I" (aan)-stand terwijl de trekkerschakelaar is ingeknepen. Het schaarblad sluit iets en dat kan persoonlijk letsel veroorzaken.

Om het gereedschap in te schakelen, gaat u als volgt te werk:

1. Sluit de schakeldoos, de aansluitkabel en de snoeischaar op elkaar aan. (Raadpleeg "De aansluitkabel aansluiten".)
2. Houd de snoeischaar stevig vast en duw de I/O-schakelaar naar de "I" (aan)-stand. Het groene controlelampje gaat branden.
 - **Fig.4:** 1. I/O-schakelaar 2. Controlelampje (groen) 3. Controlelampje (rood)

3. De schaarbladen zijn vergrendeld wanneer de I/O-schakelaar is ingeschakeld. Om de vergrendeling te ontgrendelen, knijpt u twee keer de trekkerschakelaar in. Het bovenste schaarblad gaat automatisch open.

4. Om het schaarblad te sluiten, knijpt u de trekker-schakelaar in.

► **Fig.5:** 1. Trekkerschakelaar

In werking treden van de automatische vergrendelingsfunctie en automatische uitschakelfunctie

Om veiligheidsredenen wordt het gereedschap automatisch in de vergrendelingsfunctie of uitschakelfunctie gezet als het gereedschap gedurende een bepaalde tijdsduur niet wordt aangeraakt.

Na 5 minuten: Het gereedschap wordt in de vergrendelingsfunctie gezet. Knijp twee keer de trekkerschakelaar in om de vergrendeling te ontgrendelen.

Na 15 minuten: Het gereedschap wordt in de uitschakelfunctie gezet en het groene controlelampje gaat uit. Duw de I/O-schakelaar eenmaal naar de "O" (uit)-stand en duw de I/O-schakelaar weer naar de "I" (aan)-stand, en knijp daarna twee keer de trekkerschakelaar in om de vergrendeling te ontgrendelen.

Openingshoek-keuzehendel

► **Fig.6:** 1. Openingshoek-keuzehendel

Door de openingshoek-keuzehendel naar links te kantelen, kunt u het bovenste schaarblad verder openen.

Om de openingshoek van het bovenste schaarblad te beperken, knijpt u eerst de trekkerschakelaar helemaal in en zet u daarna de openingshoek-keuzehendel terug in de rechte stand.

De snoeidiepte afstellen

⚠️ LET OP: Houd uw handen of lichaam uit de buurt van de schaarbladen. Anders kan persoonlijk letsel worden veroorzaakt.

Na het slijpen of vervangen van de schaarbladen, stelt u zo nodig de snoeidiepte af.

Schakel het gereedschap in en knijp twee keer de trekkerschakelaar in om de schaarbladen te openen, en duw daarna de I/O-schakelaar naar de "O" (uit)-stand. Om de snoeidiepte te vergroten, draait u de snoeidiepteafstelschroef rechtsom met behulp van een inbus-sleutel. Om de snoeidiepte te verkleinen, draait u de snoeidiepteafstelschroef linksom.

► **Fig.7:** 1. Snoeidiepteafstelschroef

OPMERKING: Controleer de snoeidiepte na afstelling. Als de snoeidiepte te klein is, wordt de tak mogelijk niet volledig doorgeknijpt.

Controlelampjes op de schakeldoos

► **Fig.8:** 1. I/O-schakelaar 2. Controlelampje (groen) 3. Controlelampje (rood)

De groene en rode lampjes geven het volgende aan:

(Aan: ● Uit: ○ Knippert: ✨)

- Groene lampje brandt: het gereedschap is ingeschakeld.

Groen	Rood
●	○

- Groene lamp en rode lamp branden: als u de accu in de accuhouder aanbrengt terwijl de I/O-schakelaar in de "I" (aan)-stand staat, gaan beide lampen branden en beweegt het schaarblad niet, ook niet wanneer u de trekkerschakelaar inknijpt. In dit geval, duwt u de I/O-schakelaar naar de "O" (uit)-stand en duwt u de I/O-schakelaar terug naar de "I" (aan)-stand.

Groen	Rood
●	●

- Groene lampje knippert: het gereedschap is oververhit. Laat het gereedschap eerst afkoelen voordat u het gereedschap opnieuw inschakelt.

	Groen	Rood
⚡	✨	○

- Het groene lampje brandt en het rode lampje knippert of brandt: de resterende acculading is laag of bijna op. Laad de accu's op. Als één van de accu's bijna leeg is, knippert het rode lampje, ondanks dat de andere accu nog vol is.

	Groen	Rood
🔋	●	✨ / ●

- Het groene lampje en het rode lampje knippen beurtelings: het gereedschap detecteert een onderbreking in de aansluitkabel. Controleer de aansluitkabel op een loszittende aansluiting op de schakeldoos en/of de snoeischaar. Als de lampjes nog steeds beurtelings knippen, stopt u onmiddellijk met het gebruik van het gereedschap, kopfelt u de aansluitkabel los, verwijdert u de accu, en vraagt u uw plaatselijk, erkend servicecentrum het gereedschap te repareren.



MONTAGE

⚠ LET OP: Zorg altijd dat het gereedschap is uitgeschakeld en de accu ervan is verwijderd alvorens enig werk aan het gereedschap uit te voeren.

De accuhouder in de rugzak plaatsen

► **Fig.9:** 1. Gesp 2. Accuhouder 3. Riem

- Steek de schakeldoos door de opening (links of rechts) in de rugzak.
- Steek de riem door het vierkante gat in de accuhouder en zet de accuhouder vast met de riem. Zorg ervoor dat de accuhouder stevig vastzit in de rugzak.

De holster aanbrengen

► **Fig.10:** 1. Holster 2. Riem

Steek de gesp van de heupgordel door de opening in de holster.

Het draagstel afstellen

Stel het draagstel als volgt af:

- Sluit en vergrendel de gesp van de heupgordel en stel zijn lengte af.
► **Fig.11:** 1. Gesp van heupgordel

- Stel de lengte van de schoudergordels af.
► **Fig.12**

- Stel de hoogte van de borstriem af. Sluit en vergrendel de gesp van de borstriem en stel lengte ervan af.
► **Fig.13:** 1. Gesp van borstriem

⚠ LET OP: In noodgevallen opent u snel de gesp van de heupgordel en de gesp van de borstriem, maakt u de schoudergordels los en doet u het draagstel af.

De aansluitkabel aansluiten

⚠ LET OP: Zorg er altijd voor dat de I/O-schakelaar van de schakeldoos in de "O"-stand staat voordat u de aansluitkabel aansluit.

⚠ LET OP: Bedien het gereedschap niet wanneer de aansluitkabel beschadigd is.

KENNISGEVING: Misbruik de aansluitkabel niet. Draag het gereedschap niet door het aan de aansluitkabel op te tillen. Houd de aansluitkabel uit de buurt van hitte, olie of scherpe randen. Anders kan de aansluitkabel worden beschadigd.

Sluit de aansluitkabel als volgt aan op de schakeldoos en de snoeischaar:

- Lijn eerst de driehoekmarkering op de mannelijke stekker van de aansluitkabel uit met de driehoekmarkering op de vrouwelijke aansluiting van de schakeldoos. Duw de stekker van de aansluitkabel in de aansluiting van de schakeldoos. Lijn daarna de markering op de vergrendelring uit met de driehoekmarkeringen. Duw de vergrendelring erop en draai hem om te vergrendelen.

► **Fig.14:** 1. Driehoekmarkering 2. Aansluitkabel 3. Schakeldoos 4. Markering op vergrendelring 5. Vergrendelring

KENNISGEVING: Wanneer u de aansluitkabel wilt loskoppelen, draait u eerst de vergrendelring en lijnt u de markering op de vergrendelring uit met de driehoekmarkeringen.

- Hang de schakeldoos aan de heupgordel of de borstriem.
► **Fig.15**

- Duw de aansluitkabel in de ring van de kabelhouder.
► **Fig.16**

Hang de kabelhouder aan de borstriem of de heupgordel, waar de schakeldoos niet aan hangt.

De kabelhouder voorkomt dat de aansluitkabel in de weg hangt en de kabelhouder kan ook voorkomen dat de aansluitkabel per ongeluk wordt doorgesneden.

► **Fig.17**

► **Fig.18**

KENNISGEVING: Hang niet anders dan de aansluitkabel aan de kabelhouder. Anders kan de kabelhouder breken.

KENNISGEVING: Forceer de opening van de kabelhouder niet. Anders kan de kabelhouder worden vervormd of kan hij afbreken.

- Plaats de armband om uw arm. Steek de aansluitkabel door de armband.
► **Fig.19:** 1. Armband

- Lijn eerst de driehoekmarkering op de vrouwelijke stekker van de aansluitkabel uit met de driehoekmarkering op de mannelijke aansluiting van de snoeischaar. Duw de stekker van de aansluitkabel in de aansluiting van de snoeischaar. Lijn daarna de markering op de vergrendelring uit met de driehoekmarkeringen. Duw de vergrendelring erop en draai hem om te vergrendelen.

- **Fig.20:** 1. Driehoekmarkering 2. Aansluitkabel
3. Snoeischaar 4. Markering op vergrendelring 5. Vergrendelring

KENNISGEVING: Wanneer u de aansluitkabel wilt loskoppelen, draait u eerst de vergrendelring en lijnt u de markering op de vergrendelring uit met de driehoekmarkeringen.

De snoeischaar in de holster plaatsen

Houd de trekkerschakelaar ingeknepen om de schaarbladen te sluiten, en duw de I/O-schakelaar naar de "O"-stand om het gereedschap uit te schakelen. Plaats de snoeischaar daarna in de holster en beveilig de snoeischaar met het riempje van de holster.

BEDIENING

▲LET OP: Houd het gereedschap altijd stevig vast. Zorg dat u stevig staat.

▲LET OP: Let erop dat tijdens gebruik uw lichaamsdelen niet in de buurt van de schaarbladen komen.

▲LET OP: Inspecteer vóór gebruik of de schaarbladen, bladbouten of andere onderdelen versleten of beschadigd zijn. Vervang versleten of beschadigde onderdelen voor een veilig gebruik.

KENNISGEVING: Als tijdens gebruik de schaarbladen vast komen te zitten in een tak, mag u de schaarbladen niet zijdelings verdraaien. In dat geval schakelt u het gereedschap uit en trekt u de schaarbladen recht uit de tak. Anders kunnen de schaarbladen worden beschadigd.

KENNISGEVING: In het geval u een te dikke tak of een te hard voorwerp probeert door de snijden, treedt de overbelastingsbeveiliging in werking en stopt het gereedschap. In die situatie, als het bovenste schaarblad te ver geopend is en de trekkerschakelaar helemaal wordt ingeknepen, sluit het bovenste schaarblad iets wanneer u de I/O-schakelaar naar de "I" (aan)-stand duwt om het gereedschap opnieuw in te schakelen.

Snoeien

- **Fig.21**

Snijdt de takken één voor één af. De maximale dikte van de takken die u met deze schaar kunt afsnijden is ongeveer 33 mm. Zorg dat u altijd goede steun voor de voeten hebt en goed uw evenwicht bewaart.

Na gebruik

Sluit de schaarbladen, duw de I/O-schakelaar naar de "O" (uit)-stand en koppel de aansluitkabel los van de snoeischaar en de schakeldoos, en verwijder de accu uit de accuhouder.

Bewaart de snoeischaar op een droge, hoge of afgesloten plaats, buiten het bereik van kinderen.

KENNISGEVING: Verwijder de accu wanneer u de snoeischaar niet gebruikt. Anders neemt de accucapaciteit af na verloop van tijd.

ONDERHOUD

▲LET OP: Zorg altijd dat het gereedschap is uitgeschakeld en de accu ervan is verwijderd alvorens te beginnen met onderhoud of inspectie.

▲LET OP: Draag veiligheidshandschoenen wanneer u de schaarbladen aanraakt. Als dit niet gebeurt, kan dat leiden tot persoonlijk letsel.

KENNISGEVING: Gebruik nooit benzine, wasbenzine, thinner, alcohol en dergelijke. Hierdoor kunnen verkleuring, vervormingen en barsten worden veroorzaakt.

Schaarbladen onderhouden

KENNISGEVING: Slecht onderhoud van de schaarbladen kan overmatige schaarbladfrictie veroorzaken, zodat de gebruiksduur per acculading korter wordt.

Inspecteer de schaarbladen zorgvuldig zowel voor als na het gebruik.

Na elk gebruik moet u de schaarbladen met een harde borstel schoonborstelen. Veeg daarna de schaarbladen af met een doek. Breng originele Makita machineolie aan op de randen en het bewegende deel van de schaarbladen.

- **Fig.22**

Aanscherpen van de schaarbladen

Bovenste schaarblad

1. Leg het platte vlak van de diamantvijl op de schaarbladrand.

Duw de diamantvijl in de richting van de punt van het schaarblad om de hele schaarbladrand aan te scherpen.

Behoud tijdens het aanscherpen constant hetzelfde vlakke contact tussen de vijl en de hele schaarbladrand.

- **Fig.23:** 1. Diamantvijl

2. Druk het platte vlak van de diamantvijl lichtjes tegen de keerzijde van het schaarblad.

Beweeg de diamantvijl in de richting van de punt van het schaarblad om bramen te verwijderen.

- **Fig.24**

KENNISGEVING: Scherp deze kant niet te veel. Vijl lichtjes en alleen om bramen te verwijderen. Anders kan de speling van de schaarbladen te groot worden of kan de levensduur van de schaarbladen verkort worden.

Onderste schaarblad

1. Leg het ronde vlak van de diamantvijl op de schaarbladrand.

Duw de diamantvijl in de richting van de punt van het schaarblad om de hele schaarbladrand aan te scherpen.

► Fig.25

2. Druk het platte vlak van de diamantvijl lichtjes tegen de keerzijde van het schaarblad.

Beweeg de diamantvijl in de richting van de punt van het schaarblad om bramen te verwijderen.

► Fig.26

KENNISGEVING: Scherp deze kant niet te veel. Vijl lichtjes en alleen om bramen te verwijderen. Anders kan de speling van de schaarbladen te groot worden of kan de levensduur van de schaarbladen verkort worden.

De speling van de schaarbladen afstellen

► Fig.27: 1. Plaatbevestigingsbout 2. Borgplaat
3. Bevestigingsmoer van schaarbladen

Stel van tijd tot tijd de speling van de schaarbladen als volgt af:

1. Schakel het gereedschap in en knijp de trekker-schakelaar in om de schaarbladen te openen.

2. Met de schaarbladen geopend, schakel het gereedschap uit. Koppel de aansluitkabel los van het gereedschap.

3. Draai de plaatbevestigingsbout los. Verwijder daarna de borgplaat.

4. Stel met de hand het aandraaien van de bevestigingsmoer van de schaarbladen af (aanhaalmoment van de bevestigingsmoer van de schaarbladen: ongeveer 0,5 N•m).

5. Monteer de borgplaat en de plaatbevestigingsbout weer.

6. Controleer het aandraaien van de schaarbladen, of de schaarbladen nooit rammelen, maar het bovenste schaarblad met de hand ongeveer 3 mm kan worden geopend. Als de schaarbladen te strak of te los zitten, stelt u de speling opnieuw af.

KENNISGEVING: Let op de speling van de schaarbladen. Een te grote speling kan tot bot afsnijden leiden en een te kleine speling kan tot overbelasting van de motor en een korte gebruiksduur van het gereedschap leiden.

De schaarbladen aanbrengen en verwijderen

Om de schaarbladen te verwijderen, voert u de volgende stappen uit:

1. Kantel de openingshoek-keuzehendel eerst naar links om de schaarbladen volledig te openen.

2. Schakel het gereedschap in en knijp de trekker-schakelaar in om de schaarbladen te openen.

3. Met de schaarbladen geopend, schakel het gereedschap uit. Koppel de aansluitkabel los van het gereedschap.

► Fig.28

4. Verwijder de twee bouten vlakbij de trekkerschaakelaar met behulp van de inbussleutel.

Verwijder de trekkerbescherming door de tong op de trekkerbescherming te scheiden van de groef in de behuizing.

► Fig.29: 1. Bouten 2. Trekkerbescherming

5. Verwijder de E-ring op de verbindingsarm met behulp van een platkopschroevendraaier of iets dergelijks.

► Fig.30: 1. E-ring 2. Verbindingsarm

KENNISGEVING: De E-ring is een verbruiksonderdeel. Gebruik de E-ring niet opnieuw bij het monteren.

6. Verwijder voorzichtig de pen.

► Fig.31: 1. Pen

7. Verwijder twee bouten uit de zijkant van de behuizing.

► Fig.32: 1. Bouten

8. Verwijder voorzichtig de bovenste en onderste schaarbladen uit de behuizing.

► Fig.33

9. Om het bovenste schaarblad en het onderste schaarblad van elkaar te scheiden, draait u eerst de plaatbevestigingsbout los.

Verwijder daarna de borgplaat.

► Fig.34: 1. Plaatbevestigingsbout 2. Borgplaat

10. Draai de bevestigingsmoer van de schaarbladen los en verwijder hem.

► Fig.35: 1. Bevestigingsmoer van schaarbladen
2. Bevestigingsbout van schaarbladen

Om de nieuwe schaarbladen aan te brengen, voert u de bovenstaande procedures in de omgekeerde volgorde uit. Zorg ervoor dat alle bouten stevig worden vastgedraaid.

Na het monteren van de schaarbladen, moet u altijd de speling van de schaarbladen afstellen. (Raadpleeg "De speling van de schaarbladen afstellen".)

Om de nieuwe schaarbladen aan te brengen, voert u de bovenstaande procedures in de omgekeerde volgorde uit. Let bij het monteren van de schaarbladen op de volgende punten:

- Breng machineolie of vet aan op de bevestigingsbout van de schaarbladen en tussen de schaarbladen.
- Als u de plaatbevestigingsbout niet goed kunt plaatsen, verwijdert u eerst de O-ring en de plaatbevestigingsbout vanaf de borgplaat. Draai daarna de borgplaat om en plaats de O-ring en de plaatbevestigingsbout terug.
- Lijn bij het monteren van de trekkerbescherming de tong op de trekkerbescherming uit met de groef in de behuizing.

► Fig.36

- Zorg ervoor dat alle bouten stevig worden vastgedraaid.

- Na het monteren van de schaarbladen, moet u altijd de speling van de schaarbladen afstellen. (Raadpleeg "De speling van de schaarbladen afstellen".)
- Na het monteren van de schaarbladen, moet u altijd de snoeidiepte afstellen. (Raadpleeg "De snoeidiepte afstellen".)

Problemen oplossen

Alvorens een verzoek om reparatie in te dienen, controleert u zelf op problemen. In het geval een abnormaliteit zich voordoet, bedient u het gereedschap aan de hand van de beschrijving in deze gebruiksaanwijzing. Als de hieronder beschreven oplossing het probleem niet verhelpt, vraagt u uw plaatselijke, erkende servicecentrum om reparatie. Demonteer of knoei nooit met enig onderdeel in strijd met de beschrijving.

Probleemomschrijving	Waarschijnlijke oorzaak (storing)	Oplossing
Het schaarblad beweegt niet, zelfs niet nadat de trekker-schakelaar is ingeknepen.	De resterende acculading is laag.	Laad de accu op.
	De I/O-schakelaar staat in de "O"-stand.	Duw de I/O-schakelaar naar de "I"-stand.
	De snoeischaar is vergrendeld.	Ontgrendel de snoeischaar door de stappen uit te voeren in "Werking van de schakelaar".
	De aansluitkabel zit los.	Controleer de aansluitingen voor de aansluitkabel op de schakeldoos en snoeischaar.
	De I/O-schakelaar staat in de "aan"-stand wanneer de accu wordt aangebracht.	Duw u de I/O-schakelaar naar de "O" (uit)-stand en duw u de I/O-schakelaar terug naar de "I" (aan)-stand.
	De trekkerschaakelaar is defect.	Stop onmiddellijk met het gebruik van het gereedschap en vraag uw plaatselijke, erkende servicecentrum om reparatie.
De schaarbladen zitten vast in een tak.	De tak is te dik.	Laat de trekkerschaakelaar los. Duw de I/O-schakelaar naar de "O"-stand. Trek daarna de schaarbladen langzaam recht uit de tak.
De trekker-schakelaar is vergrendeld en kan niet worden ingeknepen.	De schaarbladen werden met geweld geopend.	Schakel het gereedschap uit en weer in met behulp van de I/O-schakelaar. (Het bovenste schaarblad sluit iets bij het inschakelen.)
De snede is niet glad.	De schaarbladen zijn bot.	Scherp de schaarbladen of stel de speling van de schaarbladen af.
	De schaarbladen zijn versleten.	Vervang de schaarbladen.

Om de VEILIGHEID en BETROUWBAARHEID van het gereedschap te handhaven, dienen alle reparaties, onderhoud of afstellingen te worden uitgevoerd bij een erkend Makita-servicecentrum of de Makita-fabriek, en altijd met gebruik van Makita-ervangingsonderdelen.

OPTIONELE ACCESSOIRES

⚠ LET OP: Deze accessoires of hulpstukken worden aanbevolen voor gebruik met het Makita gereedschap dat in deze gebruiksaanwijzing is beschreven. Bij gebruik van andere accessoires of hulpstukken bestaat het gevaar van persoonlijke letsel. Gebruik de accessoires of hulpstukken uitsluitend voor hun bestemde doel.

Wenst u meer bijzonderheden over deze accessoires, neem dan contact op met het plaatselijke Makita-servicecentrum.

- Bovenste schaarblad
- Onderste schaarblad
- Diamantvrij
- Armband
- Holster
- Kabelhouder
- Originele Makita accu's en acculaders

OPMERKING: Sommige items op de lijst kunnen zijn inbegrepen in de doos van het gereedschap als standaard toebehoren. Deze kunnen van land tot land verschillen.

ESPECIFICACIONES

Modelo:	DUP361	
Capacidad máxima de corte	33 mm	
Longitud total (parte de tijeras)	305 mm	
Tensión nominal	36 V CC	
Cartucho de batería	BL1815N, BL1820, BL1820B	BL1830, BL1830B, BL1840, BL1840B, BL1850, BL1850B, BL1860B
Peso neto (con tijeras, caja de interruptor, cable de conexión, dos cartuchos de batería y mochila)	3,3 kg	3,8 kg

- Debido a nuestro continuado programa de investigación y desarrollo, las especificaciones aquí dadas están sujetas a cambios sin previo aviso.
- Las especificaciones y el cartucho de batería pueden diferir de país a país.
- Peso, con cartucho de batería, de acuerdo con el procedimiento EPTA 01/2003

Símbolos

A continuación se muestran los símbolos utilizados con este equipo. Asegúrese de que entiende su significado antes de usarlo.



Lea el manual de instrucciones.



No exponga a la humedad.



Peligro; sea consciente de que salen objetos lanzados.



Mantenga alejados a los transeúntes.



Sólo para países de la Unión Europea
 ¡No deseche los aparatos eléctricos o baterías junto con los residuos domésticos!
 De conformidad con las Directivas Europeas, sobre residuos de aparatos eléctricos y electrónicos y baterías y acumuladores y residuos de baterías y acumuladores y su aplicación de acuerdo con la legislación nacional, los aparatos eléctricos y pilas y baterías cuya vida útil haya llegado a su fin deberán ser recogidos por separado y trasladados a una planta de reciclaje que cumpla con las exigencias ecológicas.

Uso previsto

La herramienta ha sido prevista para podar brotes y ramas.

Ruido

El nivel de ruido A-ponderado típico determinado de acuerdo con la norma EN50636:

Nivel de presión sonora (L_{pA}): 70 dB (A) o menos
 Error (K): 3,2 dB (A)

El nivel de ruido en situación de trabajo puede exceder 80 dB (A).

ADVERTENCIA: Póngase protectores para oídos.

Vibración

El valor total de la vibración (suma de vectores triaxiales) determinado de acuerdo con la norma EN50636:
 Emisión de vibración (a_{hv}): 2,5 m/s² o menos
 Error (K): 1,5 m/s²

NOTA: El valor de emisión de vibración declarado ha sido medido de acuerdo con el método de prueba estándar y se puede utilizar para comparar una herramienta con otra.

NOTA: El valor de emisión de vibración declarado también se puede utilizar en una valoración preliminar de exposición.

ADVERTENCIA: La emisión de vibración durante la utilización real de la herramienta eléctrica puede variar del valor de emisión declarado dependiendo de las formas en las que la herramienta sea utilizada.

ADVERTENCIA: Asegúrese de identificar medidas de seguridad para proteger al operario que estén basadas en una estimación de la exposición en las condiciones reales de utilización (teniendo en cuenta todas las partes del ciclo operativo como las veces cuando la herramienta está apagada y cuando está funcionando en vacío además del tiempo de gatillo).

Declaración de conformidad CE

Para países europeos solamente

Makita declara que la(s) máquina(s) siguiente(s):
 Designación de máquina: Tijera de podar Inalámbrica
 Modelo N°/ Tipo: DUP361

Cumplen con las directivas europeas siguientes:
 2006/42/CE

Están fabricadas de acuerdo con las normas o documentos normalizados siguientes: EN ISO 12100
 El archivo técnico de acuerdo con la norma 2006/42/CE está disponible en:



Yasushi Fukaya

Director

Makita, Jan-Baptist Vinkstraat 2, 3070, Bélgica

Advertencias de seguridad para la tijera de podar

⚠️ ADVERTENCIA: Lea todas las advertencias de seguridad y todas las instrucciones. Si no sigue las advertencias e instrucciones podrá resultar en una descarga eléctrica, un incendio y/o heridas graves.

Guarde todas las advertencias e instrucciones para futuras referencias.

El término "herramienta eléctrica" en las advertencias se refiere a su herramienta eléctrica de funcionamiento con conexión a la red eléctrica (con cable) o herramienta eléctrica de funcionamiento a batería (sin cable).

1. **Utilice equipo de protección personal. Póngase siempre protección para los ojos.** El equipo de protección como máscara contra el polvo, zapatos de seguridad antideslizantes, casco rígido y protección para los oídos utilizado en las condiciones apropiadas reducirá el riesgo de sufrir heridas personales.
2. **Evite los arranques involuntarios. Asegúrese de que el interruptor está en la posición desactivada antes de conectar a la toma de corriente y/o la batería, coger o transportar la herramienta.** El transportar herramientas eléctricas con el dedo en el interruptor o el conectar la alimentación a herramientas eléctricas que tienen el interruptor activado invita a accidentes.
3. **Vístase apropiadamente. No se ponga ropa holgada ni joyas. Mantenga su pelo, ropa y guantes alejados de las partes en movimiento.** La ropa holgada, las joyas y el pelo largo pueden engancharse en las partes en movimiento.
4. **Esta herramienta es para podar ramas.** No la utilice para ningún trabajo excepto ese para el que ha sido prevista.
5. **No permita nunca que niños, personas con capacidades físicas, sensoriales o mentales reducidas o falta de experiencia y conocimiento o personas no familiarizadas con estas instrucciones utilicen la herramienta. Puede que los reglamentos locales restrinjan la edad del operario.**
6. **No utilice nunca la herramienta mientras haya gente, especialmente niños, o animales domésticos cerca.**
7. **No trabaje donde no alcance y mantenga el equilibrio en todo momento.** Asegúrese siempre de poner los pies sobre suelo firme en pendientes y caminar, nunca correr.

8. **No toque partes peligrosas en movimiento antes de que la herramienta haya sido desconectada de la toma de corriente y/o la batería haya sido retirada de la herramienta.**
9. **Póngase siempre calzado robusto y pantalones largos mientras utiliza la herramienta.**
10. **Desconecte el suministro eléctrico y/o retire la batería de la herramienta:**
 - siempre que el usuario deje la herramienta,
 - antes de desbloquear un bloqueo,
 - antes de comprobar, limpiar o trabajar en la herramienta,
 - después de golpear un objeto extraño para inspeccionar la herramienta por si hay daños,
 - si la herramienta comienza a vibrar anormalmente, para comprobar inmediatamente.
11. **No utilice nunca la herramienta con protectores o escudos defectuosos, o sin dispositivos de seguridad, o si el cable está dañado o desgastado.**
12. **Evite utilizar la herramienta en malas condiciones meteorológicas especialmente cuando haya riesgo de relámpagos.**
13. **No utilice la herramienta o realice operaciones de carga de la batería bajo la lluvia.**
14. **No deje la herramienta bajo la lluvia o en lugares mojados.**
15. **Tenga cuidado de que no se enganche materia extraña entre las cuchillas.** Si las cuchillas se traban con materia extraña, apague inmediatamente la herramienta y desconecte la batería de la herramienta. Después retire la materia extraña de las cuchillas.
16. **No sujete nunca con la mano libre la rama que está podando.** Mantenga la mano libre alejada del área de corte. No toque nunca las cuchillas, están muy afiladas y podrá cortarse.
17. **No fuerce la herramienta para hacer que corte.** Podrá resbalarse y herirse o cortar otra cosa involuntariamente.
18. **Evite cortar cables eléctricos que pueda haber ocultos.**
19. **Compruebe siempre las cuchillas cuidadosamente antes de la operación.**
20. **Maneje las cuchillas con sumo cuidado para evitar cortes o heridas con las cuchillas.**
21. **Desconecte la batería de la herramienta después de cada utilización y antes de intentar realizar una inspección o mantenimiento.**
22. **Cuando no esté siendo utilizada, mantenga siempre la herramienta en su funda.**

Utilización y cuidado de la herramienta a batería

1. **Cargue la batería solamente con el cargador especificado por el fabricante.** Un cargador que es apropiado para un tipo de batería puede crear un riesgo de incendio cuando se utiliza con otra batería.
2. **Utilice las herramientas eléctricas solamente con las baterías designadas específicamente para ellas.** La utilización de cualquier otra batería puede crear un riesgo de heridas o incendio.

3. Cuando la batería no esté siendo utilizada, guárdela alejada de otros objetos metálicos, como sujetapapeles, monedas, llaves, clavos, tornillos u otros objetos metálicos pequeños, que puedan hacer conexión entre un terminal y el otro. Si se cortocircuitan entre sí los terminales de la batería podrán producirse quemaduras o un incendio.
4. En condiciones abusivas, es posible que salga expulsado líquido de la batería; evite el contacto con él. Si se produce un contacto accidental, enjuague con agua. Si el líquido entra en los ojos, además de enjuagarlos, solicite asistencia médica. El líquido expulsado de la batería puede ocasionar irritación y quemaduras.
6. No guarde la herramienta y el cartucho de batería en lugares donde la temperatura pueda alcanzar o exceder los 50 °C.
7. Nunca incinere el cartucho de batería incluso en el caso de que esté dañado seriamente o ya no sirva en absoluto. El cartucho de batería puede explotar si se tira al fuego.
8. Tenga cuidado de no dejar caer ni golpear el cartucho de batería.
9. No utilice una batería dañada.
10. Las baterías de litio-ion contenidas están sujetas a los requisitos de la Legislación para Materiales Peligrosos.

Para transportes comerciales, p.ej., por terceras personas y agentes de transportes, se deberán observar requisitos especiales para el empaquetado y etiquetado.

Para la preparación del artículo que se va a enviar, se requiere consultar con un experto en materiales peligrosos. Por favor, observe también la posibilidad de reglamentos nacionales más detallados.

Cubra con cinta aislante o enmascare los contactos expuestos y empaquete la batería de tal manera que no se pueda mover alrededor dentro del embalaje.

11. Siga los reglamentos locales referentes al desecho de la batería.

Servicio

1. Haga que su herramienta eléctrica sea servida por una persona de reparación cualificada utilizando solamente piezas de repuesto idénticas. De esta forma la herramienta eléctrica seguirá siendo segura.
2. Siga las instrucciones para lubricarlas y cambiar los accesorios.
3. Mantenga las empuñaduras secas, limpias y libres de aceite y grasa.

⚠ADVERTENCIA: NO deje que la comodidad o familiaridad con el producto (a base de utilizarlo repetidamente) sustituya la estricta observancia de las normas de seguridad para el producto en cuestión. El MAL USO o el no seguir las normas de seguridad establecidas en este manual de instrucciones podrá ocasionar graves heridas personales.

Instrucciones de seguridad importantes para el cartucho de batería

1. Antes de utilizar el cartucho de batería, lea todas las instrucciones e indicaciones de precaución sobre (1) el cargador de baterías, (2) la batería, y (3) el producto con el que se utiliza la batería.
2. No desarme el cartucho de batería.
3. Si el tiempo de uso se acorta demasiado, cese la operación inmediatamente. Podría resultar en un riesgo de recalentamiento, posibles quemaduras e incluso una explosión.
4. Si entra electrolito en sus ojos, aclárelos con agua limpia y acuda a un médico inmediatamente. Existe el riesgo de poder perder la vista.
5. No cortocircuite el cartucho de batería:
 - (1) No toque los terminales con ningún material conductor.
 - (2) Evite guardar el cartucho de batería en un cajón junto con otros objetos metálicos, como clavos, monedas, etc.
 - (3) No esponge el cartucho de batería al agua ni a la lluvia.

Un cortocircuito en la batería puede producir una gran circulación de corriente, un recalentamiento, posibles quemaduras e incluso una rotura de la misma.

GUARDE ESTAS INSTRUCCIONES.

⚠PRECAUCIÓN: Utilice solamente baterías genuinas de Makita. La utilización de baterías no genuinas de Makita, o baterías que han sido alteradas, puede resultar en una explosión de la batería ocasionando incendios, heridas personales y daños. También anulará la garantía de Makita para la herramienta y el cargador de Makita.

Consejos para alargar al máximo la vida de servicio de la batería

1. Cargue el cartucho de batería antes de que se descargue completamente. Detenga siempre la operación y cargue el cartucho de batería cuando note menos potencia en la herramienta.
2. No cargue nunca un cartucho de batería que esté completamente cargado. La sobrecarga acortará la vida de servicio de la batería.
3. Cargue el cartucho de batería a temperatura ambiente de 10 °C - 40 °C. Si un cartucho de batería está caliente, déjelo enfriar antes de cargarlo.
4. Cargue el cartucho de batería si no lo utiliza durante un periodo de tiempo prolongado (más de seis meses).

Marca N

La marca N es una marca comercial o marca comercial registrada de NFC Formula, Inc. en EE. UU. y otros países del mundo.

DESCRIPCIÓN DE LAS PARTES

► Fig.1

1	Arnés	2	Mochila	3	Caja de interruptor	4	Lámpara piloto (roja)
5	Lámpara piloto (verde)	6	Interruptor I/O	7	Funda	8	Portacable
9	Cable de conexión	10	Tijeras	11	Gatillo interruptor	-	-

DESCRIPCIÓN DEL FUNCIONAMIENTO

⚠PRECAUCIÓN: Asegúrese siempre de que la herramienta está apagada y el cartucho de batería retirado antes de realizar cualquier ajuste o comprobación en la herramienta.

Instalación o extracción del cartucho de batería

⚠PRECAUCIÓN: Apague siempre la herramienta antes de instalar o retirar el cartucho de batería.

⚠PRECAUCIÓN: Sujete la herramienta y el cartucho de batería firmemente cuando instale o retire el cartucho de batería. Si no sujeta la herramienta y el cartucho de batería firmemente podrán caérsele de las manos y resultar en daños a la herramienta y al cartucho de batería y heridas personales.

► Fig.2: 1. Indicador rojo 2. Botón 3. Cartucho de batería 4. Portabaterías

Para retirar el cartucho de batería, deslícelo de la herramienta mientras desliza el botón de la parte frontal del cartucho.

Para instalar el cartucho de batería, alinee la lengüeta del cartucho de batería con la ranura de la carcasa y deslícelo hasta que encaje en su sitio. Insértelo a tope hasta que se bloquee en su sitio produciendo un pequeño chasquido. Si puede ver el indicador rojo en el lado superior del botón, no estará bloqueado completamente.

⚠PRECAUCIÓN: Instale siempre el cartucho de batería completamente hasta que no pueda verse el indicador rojo. En caso contrario, podrá caerse accidentalmente de la herramienta y ocasionarle heridas a usted o a alguien que esté cerca de usted.

⚠PRECAUCIÓN: No instale el cartucho de batería empleando fuerza. Si el cartucho no se desliza al interior fácilmente, será porque no está siendo insertado correctamente.

NOTA: La herramienta no funciona con solo un cartucho de batería.

Sistema de protección de la herramienta / batería

La herramienta está equipada con un sistema de protección de la herramienta/batería. Este sistema corta automáticamente la alimentación al motor para alargar la vida útil de la herramienta y la batería. La herramienta se detendrá automáticamente durante la operación si la herramienta o la batería es puesta en una de las condiciones siguientes. En algunas condiciones, las lámparas en la caja de interruptor se iluminan.

Protección contra sobrecarga

Cuando la herramienta es utilizada de una manera que da lugar a que tenga que absorber una corriente anormalmente alta, la herramienta se detiene automáticamente sin ninguna indicación. En esta situación, apague la herramienta y detenga la tarea que ocasiona la sobrecarga de la herramienta. Después encienda la herramienta para volver a empezar.

Protección contra el recalentamiento

Cuando la herramienta se recalienta, la herramienta se detiene automáticamente, y lámpara verde en la caja de interruptor parpadea. En esta situación, deje que la herramienta se enfríe antes de encenderla otra vez.

Protección contra descarga excesiva

Cuando la capacidad de batería sea baja, la herramienta se detendrá automáticamente. Y la lámpara roja en la caja de interruptor se ilumina o parpadea. Si el producto no funciona aun cuando los interruptores sean accionados, retire las baterías del portabaterías y cargue las baterías.

Modo de indicar la capacidad de batería restante

Solamente para cartuchos de batería con "B" al final del número de modelo

► Fig.3: 1. Lámparas indicadoras 2. Botón de comprobación

Presione el botón de comprobación en el cartucho de batería para indicar la capacidad de batería restante. Las lámparas indicadoras se iluminan durante unos pocos segundos.

Lámparas indicadoras			Capacidad restante
Iluminada	Apagada	Parpadeando	
			75% a 100%
			50% a 75%
			25% a 50%
			0% a 25%
			Cargue la batería.
			Puede que la batería no esté funcionando bien.

NOTA: Dependiendo de las condiciones de utilización y de la temperatura ambiente, la indicación podrá variar ligeramente de la capacidad real.

Accionamiento del interruptor

⚠ PRECAUCIÓN: Antes de conectar la batería a las tijeras, compruebe siempre para ver que el gatillo interruptor se acciona debidamente y que vuelve a la posición "OFF" cuando lo suelta.

⚠ PRECAUCIÓN: Cuando no esté utilizando la herramienta, asegúrese siempre de que el interruptor I/O está en el lado "O".

⚠ PRECAUCIÓN: No presione el interruptor I/O a la posición "I" (encender) mientras está apretando el gatillo interruptor. La cuchilla se cierra ligeramente y puede ocasionar heridas personales.

Para encender la herramienta, realice lo siguiente:

1. Conecte la caja de interruptor, el cable de conexión, y las tijeras. (Consulte "Instalación del cable de conexión").

2. Sujete las tijeras firmemente, y presione el interruptor I/O a la posición "I" (encender). La lámpara piloto verde se ilumina.

► **Fig.4:** 1. Interruptor I/O 2. Lámpara piloto (verde)
3. Lámpara piloto (roja)

3. Las cuchillas de las tijeras están en modo bloqueado cuando el interruptor I/O está activado. Para liberar el bloqueo, apriete el gatillo interruptor dos veces. La cuchilla superior de las tijeras se abre automáticamente.

4. Para cerrar la cuchilla de las tijeras, apriete el gatillo interruptor.

► **Fig.5:** 1. Gatillo interruptor

Cambio automático a modo bloqueado y modo apagado

Por razones de seguridad, la herramienta cambia a modo bloqueado o modo apagado automáticamente si la herramienta es dejada sin tocar durante un cierto periodo de tiempo.

Después de 5 minutos: La herramienta cambia a modo bloqueado. Apriete el gatillo interruptor dos veces para liberar el bloqueo.

Después de 15 minutos: La herramienta cambia a modo apagado, y la lámpara piloto verde se apaga. Presione el interruptor I/O a la posición "O" (apagar) una vez, y presione el interruptor I/O a la posición "I" (encender) otra vez, después apriete el gatillo interruptor dos veces para liberar el bloqueo.

Palanca selectora de ángulo de abertura

► **Fig.6:** 1. Palanca selectora de ángulo de abertura

Ladeando la palanca selectora de ángulo de abertura hacia el lado izquierdo, usted puede abrir más la cuchilla superior de las tijeras.

Para limitar el ángulo de abertura de la cuchilla superior de las tijeras, primero apriete el gatillo interruptor completamente, y después vuelva a poner la palanca selectora de ángulo de abertura en posición recta.

Ajuste de la profundidad de corte

⚠ PRECAUCIÓN: No ponga sus manos o parte del cuerpo cerca de las cuchillas de las tijeras. De lo contrario podrá resultar en heridas personales.

Después de afilar o reemplazar la cuchilla de las tijeras, ajuste la profundidad de corte si es necesario.

Encienda la herramienta, y apriete el gatillo interruptor dos veces para abrir las cuchillas de las tijeras, y después presione el interruptor I/O a la posición "O" (apagar).

Para aumentar la profundidad de corte, gire el tornillo de ajuste de la profundidad de corte hacia la derecha con la llave hexagonal. Y para reducir la profundidad de corte, gire el tornillo de ajuste de la profundidad de corte hacia la izquierda.

► **Fig.7:** 1. Tornillo de ajuste de la profundidad de corte

NOTA: Compruebe la profundidad de corte después del ajuste. Si la profundidad de corte es muy poco profunda, la rama podrá no ser cortada completamente.

Lámparas piloto en la caja de interruptor

► **Fig.8:** 1. Interruptor I/O 2. Lámpara piloto (verde)
3. Lámpara piloto (roja)

Las lámparas verde y roja indican lo siguiente:

(Encendida: ● Apagada: ○ Parpadeando: ⚡)

- La lámpara verde se ilumina: la herramienta está encendida.

Verde	Roja
●	○

- La lámpara verde y lámpara roja se encienden: si inserta la batería en el portabaterías cuando el interruptor I/O está en la posición "I" (encender), se encenderán ambas lámparas y la cuchilla no se moverá aunque usted apriete el gatillo interruptor. En esta situación, presione el interruptor I/O a la posición "O" (apagar) una vez, y presione el interruptor I/O a la posición "I" (encender) otra vez.

Verde	Roja
●	●

- La lámpara verde parpadea: la herramienta está recalentada. Deje que la herramienta se enfríe antes de encenderla otra vez.

⚡	Verde	Roja
	☀	○

- La lámpara verde se ilumina y la lámpara roja parpadea o se ilumina: la batería está débil o casi agotada. Cargue las baterías. Cuando cualquiera de las baterías se vuelve débil, la lámpara roja parpadea aunque una de las baterías esté llena.

🔋	Verde	Roja
	●	☀ / ●

- La lámpara verde y la lámpara roja parpadean alternativamente: la herramienta detecta rotura de cable. Compruebe el cable de conexión por si hay una conexión floja con la caja de interruptor y las tijeras. Si las lámparas aún parpadean alternativamente, deje de utilizar la herramienta inmediatamente, desconecte el cable de conexión, retire la batería, y pida al centro de servicio autorizado local que le hagan la reparación.

⚠	Las lámparas parpadean alternativamente	
	○ ●	↔ ● ○

MONTAJE

PRECAUCIÓN: Asegúrese siempre de que la herramienta está apagada y el cartucho de batería retirado antes de realizar cualquier trabajo en la herramienta.

Instalación del portabaterías en la mochila

► Fig.9: 1. Hebilla 2. Portabaterías 3. Correa

- Pase la caja de interruptor a través de la abertura (derecha o izquierda) de la mochila.
- Pase la correa a través del agujero cuadrado del portabaterías, y sujete el portabaterías con la correa. Asegúrese de que el portabaterías está asentado firmemente en la mochila.

Instalación de la funda

► Fig.10: 1. Funda 2. Correa

Pase la correa de la hebilla inferior a través de la abertura de la funda.

Ajuste del arnés

Ajuste el arnés de la forma siguiente:

- Cierre y bloquee la hebilla inferior, y ajuste la longitud de su correa.

► Fig.11: 1. Hebilla inferior

- Ajuste la longitud de las correas de hombros.

► Fig.12

- Ajuste la posición de la hebilla superior. Cierre y bloquee la hebilla superior y ajuste la longitud de su correa.

► Fig.13: 1. Hebilla superior

PRECAUCIÓN: En caso de emergencia, abra rápidamente la hebilla inferior y la hebilla superior, afloje las correas de hombros, y ponga la mochila en el suelo.

Instalación del cable de conexión

PRECAUCIÓN: Asegúrese siempre de que el interruptor I/O de la caja de interruptor está en el lado "O" antes de colocar el cable de conexión.

PRECAUCIÓN: No utilice la herramienta si el cable de conexión está dañado.

AVISO: No haga mal uso del cable de conexión. No transporte la herramienta tirando del cable de conexión. Mantenga el cable de conexión alejado de calor, aceite, o bordes cortantes. De lo contrario el cable de conexión podrá dañarse.

Coloque el cable de conexión con la caja de conexión y las tijeras de la forma siguiente:

- Primero, alinee las marcas triangulares de la clavija macho del cable de conexión con la marca triangular del conector hembra de la caja de interruptor. Empuje la clavija del cable de conexión hacia dentro del conector de la caja de interruptor. Después, alinee la marca en el acoplador con las marcas triangulares, y empuje el acoplador hacia dentro y gírelo para apretar.

► Fig.14: 1. Marca triangular 2. Cable de conexión 3. Caja de interruptor 4. Marca en el acoplador 5. Acoplador

AVISO: Gire el acoplador y alinee la marca en el acoplador con las marcas triangulares primero cuando vaya a desconectar el cable de conexión.

- Cuelgue la caja de interruptor en el cinturón o la correa superior.

► Fig.15

- Empuje el cable de conexión hacia el interior del ojal del portacable.

► Fig.16

Cuelgue el portacable en la correa superior o bien en el cinturón en el que no esté colgada la caja de interruptor.

El portacable evita que el cable de conexión cuelgue alrededor de su cuerpo, y el portacable también puede evitar que el cable de conexión sea cortado por error.

► Fig.17

► Fig.18

AVISO: No cuelgue nada que no sea el cable de conexión en el portacable. De lo contrario el portacable podrá romperse.

AVISO: No fuerce la abertura del portacable. De lo contrario podrá resultar en deformación o rotura del portacable.

4. Ponga la banda para el brazo en su brazo. Y deslice el cable de conexión a través de la banda para el brazo.

► Fig.19: 1. Banda para el brazo

5. Primero, alinee las marcas triangulares del receptor hembra del cable de conexión con la marca triangular del conector macho de las tijeras. Empuje el receptor del cable de conexión hacia dentro del conector de las tijeras. Después, alinee la marca en el acoplador con las marcas triangulares, y empuje el acoplador hacia dentro y gírelo para apretar.

► Fig.20: 1. Marca triangular 2. Cable de conexión 3. Tijeras 4. Marca en el acoplador 5. Acoplador

AVISO: Gire el acoplador y alinee la marca en el acoplador con las marcas triangulares primero cuando vaya a desconectar el cable de conexión.

Colocación de las tijeras en la funda

Siga apretando el gatillo interruptor para cerrar las cuchillas de las tijeras, y presione el interruptor I/O al lado "O" para apagar la herramienta. Después ponga las tijeras dentro de la funda y sujete las tijeras con la correa de la funda.

OPERACIÓN

PRECAUCIÓN: Sujete siempre la herramienta firmemente. Y mantenga los pies sobre suelo firme.

PRECAUCIÓN: No ponga ninguna de las partes de su cuerpo cerca de las cuchillas durante la operación.

PRECAUCIÓN: Antes de utilizar, inspeccione para asegurarse de que las cuchillas, pernos de las cuchillas u otras partes no están desgastadas o dañadas. Reemplace las partes desgastadas o dañadas para una operación segura.

AVISO: Si la cuchilla se estanca en una rama durante la operación, no retuerza la cuchilla. En esa situación, apague la herramienta y saque las cuchillas de la rama despacio y en línea recta. De lo contrario la cuchilla podrá dañarse.

AVISO: En el caso de que corte una rama muy gruesa o algo muy duro, la protección contra sobrecarga se accionará y la herramienta se parará. En esa situación, si la cuchilla superior de las tijeras está demasiado abierta y el gatillo interruptor está apretado completamente, la cuchilla superior se cerrará ligeramente cuando usted presione el interruptor I/O a la posición "I" (encender) para volver a poner en marcha la herramienta.

Operación de poda

► Fig.21

Corte ramas una a una. Con estas tijeras se pueden cortar ramas de un grosor máximo de unos 33mm. Mantenga sus pies sobre suelo firme y el equilibrio en todo momento.

Después de la utilización

Cierre las cuchillas de las tijeras, presione el interruptor I/O a la posición "O" (apagar), y desconecte el cable de conexión de las tijeras y la caja de interruptor, y retire las baterías del portabaterías.

Guarde las tijeras en un lugar seco, alto o cerrado con llave, donde los niños no puedan alcanzarlas.

AVISO: Retire la batería cuando no esté utilizando las tijeras. De lo contrario la capacidad de batería se reducirá con el paso del tiempo.

MANTENIMIENTO

PRECAUCIÓN: Asegúrese siempre de que la herramienta está apagada y de que el cartucho de batería está retirado antes de intentar hacer una inspección o mantenimiento.

PRECAUCIÓN: Póngase guantes de seguridad cuando maneje la cuchilla. De lo contrario podrá resultar en heridas personales.

AVISO: No utilice nunca gasolina, bencina, disolvente, alcohol o similares. Podría producir descoloración, deformación o grietas.

Mantenimiento de la cuchilla

AVISO: El no realizar el mantenimiento de la cuchilla podrá ocasionar una fricción excesiva de la cuchilla y acortar el tiempo de operación por carga de batería.

Antes y después de la operación, compruebe las cuchillas de las tijeras cuidadosamente.

Después de la operación, limpie las cuchillas con un cepillo duro. Después limpie las cuchillas con un paño. Y aplique aceite para máquinas genuino de Makita al filo de la cuchilla y partes móviles.

Afilado de las cuchillas

Cuchilla superior de las tijeras

1. Aplique la superficie plana de la lima adiamantada al filo de la cuchilla.

Empuje la lima adiamantada hacia la punta de la cuchilla para afilar a lo largo de todo el filo de la cuchilla.

Mantenga el mismo contacto plano con la lima consistentemente a lo largo de todo el filo de la cuchilla.

► Fig.23: 1. Lima adiamantada

2. Aplique la superficie plana de la lima adiamantada ligeramente por el lado inverso de la cuchilla.

Mueva la lima adiamantada hacia la punta de la cuchilla ligeramente para retirar las rebabas.

► Fig.24

AVISO: No afile demasiado este lado. Lime ligeramente solamente para retirar las rebabas. De lo contrario la holgura de la cuchilla podrá volverse excesiva o la vida de servicio de la cuchilla podrá acortarse.

Cuchilla inferior de las tijeras

1. Aplique la superficie redonda de la lima adiamantada al filo de la cuchilla.

Empuje la lima adiamantada hacia la punta de la cuchilla para afilar a lo largo de todo el filo de la cuchilla.

► Fig.25

2. Aplique la superficie plana de la lima adiamantada ligeramente por el lado inverso de la cuchilla.

Mueva la lima adiamantada hacia la punta de la cuchilla ligeramente para retirar las rebabas.

► Fig.26

AVISO: No afile demasiado este lado. Lime ligeramente solamente para retirar las rebabas. De lo contrario la holgura de la cuchilla podrá volverse excesiva o la vida de servicio de la cuchilla podrá acortarse.

Ajuste para la holgura de la cuchilla

► Fig.27: 1. Perno de fijación de la placa 2. Placa de bloqueo 3. Tuerca de apriete de las cuchillas

De vez en cuando, ajuste la holgura de las cuchillas de las tijeras de la forma siguiente:

1. Encienda la herramienta, y apriete el gatillo interruptor para abrir las cuchillas de las tijeras.

2. Con las cuchillas de las tijeras abiertas, apague la herramienta. Y desconecte el cable de conexión de la herramienta.

3. Afloje el perno de fijación de la placa. Y después retire la placa de bloqueo.

4. Ajuste el apriete de la tuerca de apriete de las cuchillas a mano (par de apriete para la tuerca de apriete de las cuchillas: aproximadamente 0,5 N·m).

5. Instale la placa de bloqueo y el perno de fijación de la placa otra vez.

6. Compruebe el apriete de las cuchillas si las cuchillas no traquetean nunca pero la cuchilla superior se puede abrir o cerrar unos 3 mm a mano. Si las cuchillas están muy apretadas o muy flojas, ajuste la holgura otra vez.

AVISO: Preste atención a la holgura de las cuchillas. Una holgura muy floja puede resultar en un corte tedioso, y una holgura de la cuchilla muy apretada puede resultar en una sobrecarga para el motor y un tiempo de funcionamiento corto de la herramienta.

Desmontaje o instalación de las cuchillas de las tijeras

Para retirar las cuchillas de las tijeras, realice los pasos siguientes:

1. Incline la palanca selectora de ángulo de apertura hacia el lado izquierdo primero para abrir las cuchillas completamente.

2. Encienda la herramienta, y apriete el gatillo interruptor para abrir las cuchillas de las tijeras.

3. Con las cuchillas de las tijeras abiertas, apague la herramienta. Y desconecte el cable de conexión de la herramienta.

► Fig.28

4. Retire dos pernos cerca del gatillo interruptor con la llave hexagonal.

Retire el protector del gatillo separando la lengüeta del protector del gatillo de la ranura del alojamiento.

► Fig.29: 1. Pernos 2. Protector del gatillo

5. Retire el anillo en E del brazo de articulación con un destornillador de punta plana o similar.

► Fig.30: 1. Anillo en E 2. Brazo de articulación

AVISO: El anillo en E es una pieza prescindible. No reutilice el anillo en E cuando vuelva a ensamblar.

6. Retire con cuidado el pasador.

► Fig.31: 1. Pasador

7. Retire dos pernos del lado del alojamiento.

► Fig.32: 1. Pernos

8. Retire con cuidado las cuchillas superior e inferior del alojamiento.

► Fig.33

9. Para separar la cuchilla superior y la cuchilla inferior, primero afloje el perno de fijación de la placa. Después retire la placa de bloqueo.

► Fig.34: 1. Perno de fijación de la placa 2. Placa de bloqueo

10. Afloje y retire la tuerca de apriete de las cuchillas.

► Fig.35: 1. Tuerca de apriete de las cuchillas
2. Perno de apriete de las cuchillas

Para instalar las cuchillas de las tijeras, realice los procedimientos de arriba a la inversa. Asegúrese de que todos los pernos están apretados firmemente.

Después de instalar la cuchilla, ajuste siempre la holgura de la cuchilla. (Consulte "Ajuste para la holgura de la cuchilla").

Para instalar las cuchillas de las tijeras, realice los procedimientos de arriba a la inversa. Cuando instale las cuchillas de las tijeras, preste atención a los puntos siguientes:

- Aplique aceite o grasa para máquinas al perno de apriete de las cuchillas y entre las cuchillas.
- Si no puede poner el perno de fijación de la placa debidamente, primero, retire el anillo en O y el perno de fijación de la placa de la placa de bloqueo. Y después dé la vuelta a la placa de bloqueo, y vuelva a poner el anillo en O y el perno de fijación de la placa.
- Cuando instale el protector del gatillo, alinee la lengüeta del protector del gatillo con la ranura del alojamiento.

► Fig.36

- Asegúrese de que todos los pernos están apretados firmemente.
- Después de instalar la cuchilla, ajuste siempre la holgura de la cuchilla. (Consulte "Ajuste para la holgura de la cuchilla").
- Después de instalar la cuchilla, ajuste siempre la profundidad de corte. (Consulte "Ajuste de la profundidad de corte").

Solución de problemas

Antes de hacer una solicitud para reparaciones, compruebe si hay algún problema usted mismo. Si encuentra alguna anomalía, controle su herramienta de acuerdo con la descripción de este manual. Si el remedio mencionado abajo no puede resolver el problema, pida al centro de servicio autorizado local que le hagan la reparación. Nunca manipule o desmonte ninguna parte contraria a la descripción.

Estado de anomalía	Causa probable (mal funcionamiento)	Remedio
La cuchilla de las tijeras no se mueve aun después de apretar el gatillo interruptor.	La batería está débil.	Cargue la batería.
	El interruptor I/O está en la posición "O" (apagar).	Presione el interruptor I/O a la posición "I".
	Las tijeras están bloqueadas.	Desbloquee las tijeras realizando los pasos en "Accionamiento del interruptor".
	El cable de conexión está flojo.	Compruebe los puntos de conexión del cable de conexión en la caja de interruptor y las tijeras.
	El interruptor I/O está en posición "encendida" al insertar el cartucho de batería.	Presione el interruptor I/O a la posición "O" (apagar) una vez, y presione el interruptor I/O a la posición "I" (encender) otra vez.
El gatillo interruptor está defectuoso.	Deje de utilizar la herramienta inmediatamente, y pida al centro de servicio autorizado local que le hagan la reparación.	

Estado de anomalía	Causa probable (mal funcionamiento)	Remedio
Las cuchillas de las tijeras se han estancado en la rama.	La rama es demasiado gruesa.	Libere el gatillo interruptor. Presione el interruptor I/O a la posición "O". Después saque las cuchillas de la rama despacio y en línea recta.
El gatillo interruptor está bloqueado y no se puede apretar.	Las cuchillas de las tijeras han sido abiertas a la fuerza.	Desactive y active el interruptor I/O. (La cuchilla superior de las tijeras se cierra ligeramente al activar).
El corte no es uniforme.	Las cuchillas de las tijeras están desafiladas.	Afile las cuchillas de las tijeras, o ajuste la holgura de la cuchilla.
	Las cuchillas de las tijeras están desgastadas.	Reemplace las cuchillas de las tijeras.

Para mantener la SEGURIDAD y FIABILIDAD del producto, las reparaciones, y cualquier otra tarea de mantenimiento o ajuste deberán ser realizadas en centros de servicio o de fábrica autorizados por Makita, empleando siempre repuestos Makita.

ACCESORIOS OPCIONALES

⚠PRECAUCIÓN: Estos accesorios o aditamentos están recomendados para su uso con la herramienta Makita especificada en este manual. El uso de cualquier otro accesorio o aditamento puede suponer un riesgo de heridas personales. Utilice el accesorio o aditamento solamente con la finalidad indicada para el mismo.

Si necesita cualquier ayuda para más detalles en relación con estos accesorios, pregunte al centro de servicio Makita local.

- Cuchilla superior de las tijeras
- Cuchilla inferior de las tijeras
- Lima adiamantada
- Banda para el brazo
- Funda
- Portacable
- Batería y cargador genuinos de Makita

NOTA: Algunos elementos de la lista podrán estar incluidos en el paquete de la herramienta como accesorios estándar. Pueden variar de un país a otro.

ESPECIFICAÇÕES

Modelo:	DUP361	
Capacidade máxima de corte	33 mm	
Comprimento geral (peça da tesoura)	305 mm	
Tensão nominal	C.C. 36 V	
Bateria	BL1815N, BL1820, BL1820B	BL1830, BL1830B, BL1840, BL1840B, BL1850, BL1850B, BL1860B
Peso líquido (com a tesoura, caixa do interruptor, cabo de ligação, duas baterias e mochila)	3,3 kg	3,8 kg

- Devido a um programa contínuo de pesquisa e desenvolvimento, estas especificações estão sujeitas a alteração sem aviso prévio.
- As especificações e a bateria podem variar de país para país.
- Peso, com a bateria, de acordo com o Procedimento 01/2003 da EPTA (European Power Tool Association)

Símbolos

A seguir são apresentados os símbolos utilizados para o equipamento. Certifique-se de que compreende o seu significado antes de utilizar o equipamento.



Leia o manual de instruções.



Não exponha à humidade.



Perigo; cuidado com os objetos arremessados.



Mantenha as pessoas não intervenientes afastadas.



Apenas para países da UE
Não elimine equipamentos elétricos ou baterias juntamente com o material residual doméstico!
Em cumprimento com as Diretivas Europeias relativas aos resíduos de equipamentos elétricos e eletrónicos e pilhas e acumuladores e baterias e acumuladores e resíduos de pilhas e acumuladores e a sua implementação de acordo com as leis nacionais, o equipamento elétrico e as baterias e pacote(s) de bateria(s) que atingiram o fim de vida têm de ser recolhidos separadamente e devolvidos a instalações de reciclagem compatíveis a nível ambiental.

Utilização a que se destina

A ferramenta tem como função podar galhos ou ramos.

Ruído

A característica do nível de ruído A determinado de acordo com a EN50636:
Nível de pressão acústica (L_{pA}): 70 dB (A) ou menos
Variabilidade (K): 3,2 dB (A)
O nível de ruído durante o funcionamento pode exceder 80 dB (A).

AVISO: Utilize protetores auriculares.

Vibração

Valor total da vibração (soma vetorial tri-axial) determinado de acordo com a EN50636:
Emissão de vibração (a_h): 2,5 m/s² ou menos
Variabilidade (K): 1,5 m/s²

NOTA: O valor da emissão de vibração indicado foi medido de acordo com o método de teste padrão e pode ser utilizado para comparar duas ferramentas.

NOTA: O valor da emissão de vibração indicado pode também ser utilizado na avaliação preliminar da exposição.

AVISO: A emissão de vibração durante a utilização real da ferramenta elétrica pode diferir do valor de emissão indicado, dependendo das formas como a ferramenta é utilizada.

AVISO: Certifique-se de identificar as medidas de segurança para proteção do operador que sejam baseadas em uma estimativa de exposição em condições reais de utilização (considerando todas as partes do ciclo de operação, tal como quando a ferramenta está desligada e quando está a funcionar em marcha lenta além do tempo de acionamento).

Declaração de conformidade CE

Só para países Europeus

A Makita declara que a(s) seguinte(s) máquina(s):
Designação da ferramenta: Tesoura de Jardim a Bateria N.º Tipo de modelo: DUP361
Em conformidade com as seguintes diretivas europeias: 2006/42/CE
São fabricadas de acordo com as seguintes normas ou documentos normalizados: EN ISO 12100
O ficheiro técnico, que está em conformidade com a 2006/42/CE, está disponível em:
Makita, Jan-Baptist Vinkstraat 2, 3070, Bélgica
29.1.2015

Yasushi Fukaya

Diretor

Makita, Jan-Baptist Vinkstraat 2, 3070, Bélgica

Avisos de segurança da tesoura de jardim

⚠️ AVISO: Leia todos os avisos de segurança e todas as instruções. O não cumprimento de todos os avisos e instruções pode originar choque elétrico, incêndio e/ou ferimentos graves.

Guarde todos os avisos e instruções para futuras referências.

O termo “ferramenta elétrica” nos avisos refere-se às ferramentas elétricas ligadas à corrente elétrica (com cabo) ou às ferramentas elétricas operadas por meio de bateria (sem cabo).

1. **Utilize equipamento de proteção pessoal. Use sempre óculos de proteção.** Os equipamentos de proteção, como uma máscara contra a poeira, calçado de segurança antiderrapante, capacete ou proteção auricular utilizados para as condições adequadas, reduzirão os ferimentos pessoais.
2. **Previna o arranque não intencional. Certifique-se de que o interruptor está na posição de desligado antes de ligar a uma fonte de alimentação e/ou à bateria, pegar ou transportar a ferramenta.** Transportar as ferramentas elétricas com o dedo no interruptor ou dar energia a uma ferramenta elétrica que tenha o interruptor ligado, pode dar origem a acidentes.
3. **Vista-se de forma adequada. Não use vestuário solto nem joias. Mantenha o cabelo, o vestuário e as luvas afastadas das peças em movimento.** O vestuário solto, as joias ou o cabelo longo podem ficar presos nas peças em movimento.
4. **Esta ferramenta serve para podar ramos.** Utilize-a de maneira adequada e apenas para o fim a que se destina.
5. **Nunca permita que a ferramenta seja utilizada por crianças, pessoas com capacidades físicas, sensoriais ou mentais reduzidas ou pessoas sem experiência e conhecimento ou que não estejam familiarizadas com estas instruções. As regulamentações locais podem restringir a idade do operador.**
6. **Nunca utilize a ferramenta quando estiverem pessoas, especialmente crianças, ou animais nas proximidades.**
7. **Não se estique demasiado e mantenha sempre o equilíbrio.** Certifique-se sempre de que tem os pés bem assentes nos planos inclinados e que caminha, nunca corre.
8. **Não toque em peças móveis perigosas antes de a ferramenta ser desligada da corrente elétrica e/ou a bateria ser removida da ferramenta.**
9. **Use sempre calçado substancial e calças compridas quando utilizar a ferramenta.**

10. **Desligue a alimentação e/ou remova a bateria da ferramenta:**
 - sempre que a ferramenta é deixada pelo utilizador,
 - antes de eliminar um entupimento,
 - antes de verificar, limpar ou trabalhar na ferramenta,
 - depois de bater numa objeto estranha para inspecionar a ferramenta quanto a danos,
 - se a ferramenta começar a vibrar anormalmente, para verificação imediata.
11. **Nunca utilize a ferramenta com resguardos ou proteções defeituosas, ou sem os dispositivos de segurança, ou se o cabo estiver danificado ou gasto.**
12. **Evite utilizar a ferramenta em más condições atmosféricas, especialmente quando há riscos de trovoada.**
13. **Não utilize a ferramenta nem realize operações de carregamento da bateria debaixo de chuva.**
14. **Não deixe a ferramenta à chuva nem em locais molhados.**
15. **Tenha cuidado para não capturar matérias estranhas entre as lâminas.** Se as lâminas ficarem encravadas devido a matérias estranhas, desligue imediatamente a ferramenta e desligue a bateria da ferramenta. Depois, retire a matéria estranha das lâminas.
16. **Nunca pegue no ramo que está a podar com a mão que está livre.** Mantenha a sua mão livre afastada da área de corte. Nunca toque nas lâminas, são muito afiadas e pode cortar-se.
17. **Não exerça pressão na ferramenta para cortar.** Pode escorregar e magoar-se ou cortar alguma coisa involuntariamente.
18. **Tenha cuidado para não cortar fios de corrente elétrica que possam estar encobertos.**
19. **Verifique sempre as lâminas cuidadosamente antes da operação.**
20. **Manuseie as lâminas com todo o cuidado para prevenir cortes ou ferimentos provocados pelas lâminas.**
21. **Desligue a bateria da ferramenta após cada utilização e antes de efetuar uma inspeção ou manutenção.**
22. **Quando não está a ser utilizada, guarde sempre a ferramenta dentro da bolsa.**

Utilização e cuidados com a ferramenta a bateria

1. **Recarregue apenas com o carregador especificado pelo fabricante.** Um carregador adequado para um tipo de bateria pode criar um risco de incêndio quando utilizado com outra bateria.
2. **Utilize as ferramentas elétricas apenas com as baterias especificamente designadas.** A utilização de uma bateria diferente pode criar um risco de ferimentos e de incêndio.
3. **Quando a bateria não está a ser utilizada, mantenha-a afastada de outros objetos metálicos, como cliques, moedas, chaves, pregos, parafusos ou outros objetos metálicos pequenos que possam fazer a ligação entre os dois terminais.** Colocar os terminais da bateria em curto-circuito um com o outro pode provocar queimaduras ou um incêndio.

4. Em condições abusivas, o líquido pode ser ejetado da bateria; evite o contacto com o mesmo. Se ocorrer um contacto accidental, lave com água. Se o líquido entrar em contacto com os olhos, procure também assistência médica. O líquido ejetado da bateria pode provocar irritações ou queimaduras.
7. Não queime a bateria mesmo que esteja estragada ou completamente gasta. A bateria pode explodir no fogo.

Assistência

1. A ferramenta elétrica deve receber assistência por parte de pessoal qualificado que utilize apenas peças de substituição idênticas. Isto garantirá que a segurança da ferramenta elétrica é mantida.
2. Siga as instruções para lubrificação e mudança de acessórios.
3. Mantenha as pegas secas, limpas e sem óleo e massa lubrificante.
10. As baterias de íões de lítio contidas na ferramenta são sujeitas aos requisitos da DGL (Dangerous Goods Legislation - Legislação de bens perigosos).
Para o transporte comercial, por exemplo, por terceiros ou agentes de expedição, têm de ser observados os requisitos referentes à embalagem e etiquetagem.
Para preparação do artigo a ser expedido, é necessário consultar um perito em materiais perigosos. Tenha ainda em conta a possibilidade de existirem regulamentos nacionais mais detalhados.
Coloque fita-cola ou tape os contactos abertos e embale a bateria de tal forma que não possa mover-se dentro da embalagem.
11. Siga os regulamentos locais relacionados com a eliminação de baterias.

⚠AVISO: NÃO permita que o conforto ou familiaridade com o produto (adquirido com o uso repetido) substitua o cumprimento estrito das regras de segurança da ferramenta. A MÁ INTERPRETAÇÃO ou o não seguimento das regras de segurança estabelecidas neste manual de instruções pode provocar ferimentos pessoais graves.

Instruções de segurança importantes para a bateria

1. Antes de utilizar a bateria, leia todas as instruções e etiquetas de precaução no (1) carregador de bateria (2) bateria e (3) produto que utiliza a bateria.
2. Não abra a bateria.
3. Se o tempo de funcionamento se tornar excessivamente curto, pare o funcionamento imediatamente. Pode resultar em sobreaquecimento, possíveis queimaduras e mesmo explosão.
4. Se entrar eletrólito nos seus olhos, lave-os com água e consulte imediatamente um médico. Pode resultar em perda de visão.
5. Não coloque a bateria em curto-circuito:
 - (1) Não toque nos terminais com qualquer material condutor.
 - (2) Evite guardar a bateria juntamente com outros objetos metálicos tais como pregos, moedas, etc.
 - (3) Não exponha a bateria à água ou chuva. Um curto-circuito pode ocasionar um enorme fluxo de corrente, sobreaquecimento, possíveis queimaduras e mesmo estragar-se.
6. Não guarde a ferramenta e a bateria em locais onde a temperatura pode atingir ou exceder 50°C.

GUARDE ESTAS INSTRUÇÕES.

⚠PRECAUÇÃO: Utilize apenas baterias genuínas da Makita. A utilização de baterias não genuínas da Makita ou de baterias que foram alteradas, pode resultar no rebentamento da bateria provocando incêndios, ferimentos pessoais e danos. Além disso, anulará da garantia da Makita no que se refere à ferramenta e ao carregador Makita.

Conselhos para manter a máxima vida útil da bateria

1. Carregue a bateria antes que esteja completamente descarregada. Pare sempre o funcionamento da ferramenta e carregue a bateria quando notar menos poder na ferramenta.
2. Nunca carregue uma bateria completamente carregada. Carregamento excessivo diminui a vida útil da bateria.
3. Carregue a bateria à temperatura ambiente de 10°C – 40°C. Deixe que uma bateria quente arrefeça antes de a carregar.
4. Carregue a bateria se não a utilizar durante um longo período de tempo (mais de seis meses).

Marca N

A Marca N é uma marca comercial ou uma marca registrada da NFC Formula, Inc. nos EUA e noutros países do mundo.

DESCRIÇÃO DAS PEÇAS

► Fig.1

1	Cablagem	2	Mochila	3	Caixa do interruptor	4	Luz piloto (vermelha)
5	Luz piloto (verde)	6	Interruptor I/O	7	Bolsa	8	Suporte do cabo
9	Cabo de ligação	10	Tesoura	11	Gatilho	-	-

DESCRIÇÃO FUNCIONAL

⚠️PRECAUÇÃO: Certifique-se sempre de que a ferramenta está desligada e a bateria foi retirada antes de regular ou verificar qualquer função na ferramenta.

Instalação ou remoção da bateria

⚠️PRECAUÇÃO: Desligue sempre a ferramenta antes de colocar ou retirar a bateria.

⚠️PRECAUÇÃO: Segure firmemente a ferramenta e a bateria quando instalar ou remover a bateria. Se não segurar firmemente a ferramenta e a bateria pode fazer com que escorreguem das suas mãos resultando em danos na ferramenta e na bateria e ferimentos pessoais.

- **Fig.2:** 1. Indicador vermelho 2. Botão 3. Bateria 4. Suporte da bateria

Para retirar a bateria, deslize-a para fora da ferramenta enquanto desliza o botão na frente da bateria.

Para instalar a bateria, alinhe a lingueta da bateria com a ranhura no compartimento e deslize-a no lugar. Empurre-a até o fim para que a mesma encaixe no lugar com um clique. Se puder ver a parte vermelha no lado superior do botão, significa que não está completamente bloqueada.

⚠️PRECAUÇÃO: Instale sempre a bateria até ao fim, até deixar de ver o indicador vermelho.

Caso contrário, a bateria poderá cair da ferramenta acidentalmente e provocar ferimentos em si mesmo ou em alguém próximo.

⚠️PRECAUÇÃO: Não instale a bateria à força. Se a bateria não deslizar facilmente é porque não foi colocada corretamente.

NOTA: A ferramenta não funciona com apenas uma bateria.

Sistema de proteção da ferramenta/bateria

A ferramenta está equipada com um sistema de proteção da ferramenta/bateria. Este sistema corta automaticamente a corrente de alimentação ao motor para aumentar a vida útil da ferramenta e da bateria. A ferramenta para automaticamente durante a operação se a ferramenta ou a bateria for colocada sob uma das seguintes condições. Em algumas condições, as luzes na caixa do interruptor acendem.

Proteção contra sobrecarga

Quando a ferramenta é utilizada de tal forma que puxa uma corrente demasiado elevada, a ferramenta para automaticamente sem qualquer indicação. Nesta situação, desligue a ferramenta e pare a aplicação que provocou a sobrecarga da ferramenta. Depois, volte a ligar a ferramenta para voltar ao trabalho.

Proteção contra sobreaquecimento

Quando a ferramenta fica sobreaquecida, a ferramenta para automaticamente e a luz verde na caixa do interruptor pisca. Nesta situação, deixe a ferramenta arrefecer antes de voltar a ligá-la.

Proteção contra descarga excessiva






















Quando a capacidade da bateria fica baixa, a ferramenta para automaticamente. E a luz vermelha na caixa do interruptor acende ou pisca. Se o produto não funcionar mesmo quando os interruptores são operados, remova as baterias do suporte da bateria e carregue-as.

Indicação da capacidade restante da bateria

Apenas as baterias com a indicação "B" no final do número do modelo

- **Fig.3:** 1. Luzes indicadoras 2. Botão de verificação

Prima o botão de verificação na bateria para indicar a capacidade restante da bateria. As luzes indicadoras acendem durante alguns segundos.

Luzes indicadoras			Capacidade restante
 Aceso	 Apagado	 A piscar	
			75% a 100%
			50% a 75%
			25% a 50%
			0% a 25%
			Carregar a bateria.
			A bateria pode estar avariada.

NOTA: Dependendo das condições de utilização e da temperatura ambiente, a indicação pode ser ligeiramente diferente da capacidade real.

Ação do interruptor

⚠️PRECAUÇÃO: Antes de ligar a bateria à tesoura verifique sempre se o gatilho funciona corretamente e volta para a posição "OFF" (desligado) quando libertado.

⚠️PRECAUÇÃO: Quando não estiver a utilizar a ferramenta, certifique-se sempre que o interruptor I/O está no lado "O".

⚠️PRECAUÇÃO: Não prima o interruptor I/O para a posição "I" (ligado) enquanto puxa o gatilho. A lâmina fecha ligeiramente e pode provocar ferimentos pessoais.

Para ligar a ferramenta, faça o seguinte:

1. Ligue a caixa do interruptor, o cabo de ligação e a tesoura. (Consulte "Instalação do cabo de ligação").
2. Segure a tesoura firmemente e prima o interruptor I/O para a posição "I" (ligado). A luz piloto verde acende.
► **Fig.4:** 1. Interruptor I/O 2. Luz piloto (verde) 3. Luz piloto (vermelha)
3. As lâminas da tesoura estão em modo de bloqueio quando o interruptor I/O está ligado. Para soltar o bloqueio, puxe o gatilho duas vezes. A lâmina superior da tesoura abre-se automaticamente.
4. Para fechar a lâmina da tesoura, puxe o gatilho.
► **Fig.5:** 1. Gatilho

Troca automática para modo de bloqueio e modo de encerramento

Por questões de segurança, a ferramenta muda automaticamente para modo de bloqueio ou modo de encerramento se for deixada sem ninguém lhe tocar durante um determinado período de tempo. Após 5 minutos: A ferramenta muda para modo de bloqueio. Puxe o gatilho duas vezes para soltar o bloqueio. Após 15 minutos: A ferramenta muda para modo de encerramento e a luz piloto verde apaga-se. Prima o interruptor I/O para a posição "O" (desligado) uma vez e prima o interruptor I/O para a posição "I" (ligado) novamente, depois, puxe o gatilho duas vezes para soltar o bloqueio.

Alavanca seletora do ângulo de abertura

► **Fig.6:** 1. Alavanca seletora do ângulo de abertura

Ao inclinar a alavanca seletora do ângulo de abertura para o lado esquerdo, pode abrir mais a lâmina superior da tesoura. Para limitar o ângulo de abertura da lâmina superior da tesoura, puxe primeiro o gatilho até ao fim e volte, em seguida, a alavanca seletora do ângulo de abertura para a posição reta.

Regulação da profundidade de corte

⚠PRECAUÇÃO: Não deixe as mãos nem nenhuma parte do corpo perto das lâminas da tesoura. Caso contrário, podem resultar ferimentos pessoais.

Depois de afiar ou substituir a lâmina da tesoura, regule a profundidade do corte, se necessário. Ligue a ferramenta e puxe o gatilho duas vezes para abrir as lâminas da tesoura e, em seguida, prima o interruptor I/O para a posição "O" (desligado). Para que a profundidade de corte seja maior, gire o parafuso de regulação da profundidade de corte no sentido dos ponteiros do relógio com uma chave hexagonal. E para que a profundidade de corte seja menor, gire o parafuso de regulação da profundidade de corte no sentido contrário ao dos ponteiros do relógio.
► **Fig.7:** 1. Parafuso de regulação da profundidade de corte

NOTA: Verifique a profundidade de corte depois de ajustar. Se a profundidade de corte for demasiado superficial, o ramo pode não ficar totalmente cortado.

Luzes piloto na caixa do interruptor

► **Fig.8:** 1. Interruptor I/O 2. Luz piloto (verde) 3. Luz piloto (vermelha)

As luzes verde e vermelha indicam o seguinte: (Acesa: ● Apagada: ○ A piscar: ⚡)

- A luz verde acende: a ferramenta está ligada.

Verde	Vermelha
●	○

- A luz verde e a luz vermelha acendem: se inserir a bateria no suporte da bateria quando o interruptor I/O está na posição "I" (ligado), ambas as luzes acendem e a lâmina não se move apesar de puxar o gatilho. Neste caso, prima o interruptor I/O para a posição "O" (desligado) uma vez e prima o interruptor I/O para a posição "I" (ligado) novamente.

Verde	Vermelha
●	●

- A luz verde pisca: a ferramenta está sobreaquecida. Deixe a ferramenta arrefecer antes de voltar a ligar a ferramenta outra vez.

⚡	Verde	Vermelha
	⚡	○

- A luz verde acende e a luz vermelha pisca ou acende: a bateria está fraca ou quase vazia. Carregue as baterias. Quando qualquer uma das baterias fica fraca, a luz vermelha pisca mesmo que uma das baterias esteja cheia.

🔋	Verde	Vermelha
	●	⚡ / ●

- A luz verde e a luz vermelha piscam alternadamente: a ferramenta deteta uma quebra de um fio. Verifique o cabo de ligação quanto a ligações soltas com a caixa do interruptor e a tesoura. Se as luzes ainda piscarem alternadamente, pare imediatamente de usar a ferramenta, desligue o cabo de ligação, retire a bateria e envie a ferramenta para reparação no centro local de assistência autorizado.

⚠	As luzes piscam alternadamente
	○ ● ↔ ● ○

MONTAGEM

⚠PRECAUÇÃO: Certifique-se sempre de que a ferramenta está desligada e a bateria retirada antes de executar qualquer trabalho na ferramenta.

Instalação do suporte da bateria na mochila

► **Fig.9:** 1. Fivela 2. Suporte da bateria 3. Faixa

1. Passe a caixa do interruptor através da abertura (pela esquerda ou direita) da mochila.
2. Passe a faixa através do orifício quadrado do suporte da bateria e prenda o suporte da bateria com a faixa. Certifique-se de que o suporte da bateria assenta firmemente na mochila.

Instalação da bolsa

► **Fig.10:** 1. Bolsa 2. Faixa

Passe o cinto da fivela inferior através da abertura da bolsa.

Regulação da cablagem

Regule a cablagem como se segue:

1. Feche e prenda a fivela inferior e regule o comprimento do respetivo cinto.

► **Fig.11:** 1. Fivela inferior

2. Regule o comprimento da faixa do ombro.

► **Fig.12**

3. Regule a posição da fivela superior. Feche e prenda a fivela superior e regule o comprimento do respetivo cinto.

► **Fig.13:** 1. Fivela superior

⚠PRECAUÇÃO: Em caso de emergência, abra rapidamente as fivelas inferior e superior, solte as faixas do ombro e assente a mochila.

Instalação do cabo de ligação

⚠PRECAUÇÃO: Certifique-se sempre de que o interruptor I/O da caixa do interruptor está no lado "O" antes de ligar o cabo de ligação.

⚠PRECAUÇÃO: Não utilize a ferramenta se o cabo de ligação estiver danificado.

OBSERVAÇÃO: Não force o cabo de ligação. Não transporte a ferramenta puxando pelo cabo de ligação. Mantenha o cabo de ligação afastado do calor, de óleo ou de extremidades aguçadas. Caso contrário, o cabo de ligação pode ficar danificado.

Ligue o cabo de ligação à caixa do interruptor e à tesoura como se segue:

1. Primeiro, alinhe as marcas triangulares da ficha macho no cabo de ligação com a marca triangular do conector fêmea na caixa do interruptor. Empurre a ficha do cabo de ligação para dentro do conector da caixa do interruptor. Depois, alinhe a marca no acoplamento com as marcas triangulares e empurre o acoplamento para dentro e rode-o para apertar.

► **Fig.14:** 1. Marca triangular 2. Cabo de ligação 3. Caixa do interruptor 4. Marca no acoplamento 5. Acoplamento

OBSERVAÇÃO: Gire o acoplamento e alinhe primeiro a marca no acoplamento com as marcas triangulares quando desligar o cabo de ligação.

2. Deixe a caixa do interruptor pendurada no cinto da cintura ou no cinto superior.

► **Fig.15**

3. Empurre o cabo de ligação para dentro da laçada do suporte do cabo.

► **Fig.16**

Suspenda o suporte do cabo no cinto da superior ou da cintura no qual não tiver pendurado a caixa do interruptor.

O suporte do cabo impede que o cabo de ligação fique pendurado em volta do seu corpo e, além disso, pode impedir que o cabo de ligação seja cortado por engano.

► **Fig.17**

► **Fig.18**

OBSERVAÇÃO: Não deixe nada pendurado além do cabo de ligação no suporte do cabo. Caso contrário, o suporte do cabo pode partir-se.

OBSERVAÇÃO: Não force a abertura do suporte do cabo. Caso contrário, o suporte do cabo pode ficar deformado ou partido.

4. Coloque a braçadeira no braço. E passe o cabo de ligação pela braçadeira.

► **Fig.19:** 1. Braçadeira

5. Primeiro, alinhe as marcas triangulares na tomada fêmea do cabo de ligação com a marca triangular no conector macho da tesoura. Empurre a tomada do cabo de ligação para entrar no conector da tesoura. Depois, alinhe a marca no acoplamento com as marcas triangulares e empurre o acoplamento para dentro e rode-o para apertar.

► **Fig.20:** 1. Marca triangular 2. Cabo de ligação

3. Tesoura 4. Marca no acoplamento

5. Acoplamento

OBSERVAÇÃO: Gire o acoplamento e alinhe primeiro a marca no acoplamento com as marcas triangulares quando desligar o cabo de ligação.

Colocação da tesoura na bolsa

Continue a puxar o gatilho para fechar as lâminas da tesoura e prima o interruptor I/O para o lado "O" para desligar a ferramenta. Depois, coloque a tesoura dentro da bolsa e segure na tesoura com a faixa da bolsa.

OPERAÇÃO

⚠️PRECAUÇÃO: Segure sempre a ferramenta firmemente. E mantenha o equilíbrio.

⚠️PRECAUÇÃO: Não coloque nenhuma parte do seu corpo junto das lâminas durante a operação.

⚠️PRECAUÇÃO: Antes de utilizar, inspecione as lâminas, os parafusos das lâminas ou outras peças para ver se não estão gastos ou danificados. Substitua as peças gastas ou danificadas para um funcionamento seguro.

OBSERVAÇÃO: Se a lâmina ficar presa num ramo durante a operação, não gire a lâmina. Nessa situação, desligue a ferramenta e puxe lentamente as lâminas a direito para a soltar do ramo. Caso contrário, a lâmina pode ficar danificada.

OBSERVAÇÃO: Caso esteja a cortar um ramo demasiado grosso ou algo muito duro, a proteção de sobrecarga entra em funcionamento e a ferramenta para. Nessa situação, se a lâmina superior da tesoura estiver demasiado aberta e o gatilho for puxado até ao fim, a lâmina superior fecha ligeiramente quando prime o interruptor I/O para a posição "I" (ligado) para reiniciar a ferramenta.

Operação de podar

► Fig.21

Corte os ramos um a um. A espessura máxima dos ramos que podem ser cortados com esta tesoura é de cerca de 33 mm. Mantenha-se sempre bem equilibrado.

Após a utilização

Feche as lâminas da tesoura, prima o interruptor I/O para a posição "O" (desligado) e desligue o cabo de ligação da tesoura e da caixa do interruptor, e retire as baterias do suporte da bateria.

Guarde a tesoura num local seco, alto e trancado – fora do alcance de crianças.

OBSERVAÇÃO: Retire a bateria quando não estiver a utilizar a tesoura. Caso contrário, com o tempo, a capacidade da bateria vai ficando reduzida.

MANUTENÇÃO

⚠️PRECAUÇÃO: Certifique-se sempre de que a ferramenta se encontra desligada e de que a bateria foi retirada antes de executar qualquer inspeção ou manutenção.

⚠️PRECAUÇÃO: Use luvas de segurança quando manusear a lâmina. Caso contrário, pode resultar em ferimentos pessoais.

OBSERVAÇÃO: Nunca utilize gasolina, benzina, diluente, álcool ou produtos semelhantes. Pode ocorrer a descoloração, deformação ou rachaduras.

Manutenção da lâmina

OBSERVAÇÃO: Se não tiver os devidos cuidados com as lâminas poderá causar fricção excessiva das lâminas e diminuir o tempo de funcionamento por carga da bateria.

Antes e depois da operação, inspecione cuidadosamente as lâminas da tesoura.

Depois da operação, limpe as lâminas com uma escova dura. Depois, limpe as lâminas com um pano. E aplique óleo para máquinas genuíno da Makita no fio das lâminas e peças móveis.

► Fig.22

Afiar as lâminas

Lâmina superior da tesoura

1. Coloque a superfície plana da lima diamantada no fio da lâmina.

Empurre a lima diamantada em direção à ponta da lâmina para afiar ao longo de todo o fio da lâmina.

Mantenha o mesmo contacto plano com a lima consistentemente ao longo de todo o fio da lâmina.

► Fig.23: 1. Lima diamantada

2. Coloque suavemente a superfície plana da lima diamantada no lado contrário da lâmina.

Movimente suavemente a lima diamantada em direção à ponta da lâmina para remover as aparas.

► Fig.24

OBSERVAÇÃO: Não afie demasiado este lado. Lime suavemente apenas para remover as aparas. Caso contrário, poderá resultar numa folga da lâmina demasiado grande ou a vida da lâmina pode ficar encurtada.

Lâmina inferior da tesoura

1. Coloque a superfície arredondada da lima diamantada no fio da lâmina.

Empurre a lima diamantada em direção à ponta da lâmina para afiar ao longo de todo o fio da lâmina.

► Fig.25

2. Coloque suavemente a superfície plana da lima diamantada no lado contrário da lâmina.

Movimente suavemente a lima diamantada em direção à ponta da lâmina para remover as aparas.

► Fig.26

OBSERVAÇÃO: Não afie demasiado este lado. Lime suavemente apenas para remover as aparas. Caso contrário, poderá resultar numa folga da lâmina demasiado grande ou a vida da lâmina pode ficar encurtada.

Regulação da folga da lâmina

- **Fig.27:** 1. Parafuso de fixação da chapa 2. Chapa de bloqueio 3. Porca de aperto das lâminas

De tempos a tempos, regule a folga das lâminas da tesoura como se segue:

1. Ligue a ferramenta e puxe o gatilho para abrir as lâminas da tesoura.
2. Com as lâminas da tesoura abertas, desligue a ferramenta. E desligue o cabo de ligação da ferramenta.
3. Solte o parafuso de fixação da chapa. E depois, retire a chapa de bloqueio.
4. Regule à mão o aperto da porca de aperto das lâminas (binário de aperto da porca de aperto das lâminas: aproximadamente 0,5 N*m).
5. Volte a instalar a chapa de bloqueio e o parafuso de fixação da chapa.
6. Verifique o aperto da lâmina, mesmo que as lâminas nunca abanem, mas se a lâmina superior pode ser aberta ou fechada cerca de 3 mm à mão. Se as lâminas estiverem demasiado apertadas ou soltas, regule novamente a folga.

OBSERVAÇÃO: Tome atenção à folga das lâminas. Se a folga for demasiada, resulta num corte rombo e se a folga for pouca, resulta em sobrecarga para o motor e um tempo curto de funcionamento da ferramenta.

Remoção ou instalação das lâminas da tesoura

Para remover as lâminas da tesoura, realize as seguintes etapas:

1. Incline primeiro a alavanca seletora do ângulo de abertura para o lado esquerdo para abrir totalmente as lâminas.
2. Ligue a ferramenta e puxe o gatilho para abrir as lâminas da tesoura.
3. Com as lâminas da tesoura abertas, desligue a ferramenta. E desligue o cabo de ligação da ferramenta.

► **Fig.28**

4. Retire dois parafusos junto ao gatilho com a chave hexagonal.

Retire o resguardo do gatilho separando a lingueta no resguardo do gatilho na ranhura da caixa.

► **Fig.29:** 1. Parafusos 2. Resguardo do gatilho

5. Retire o anel em E no braço de ligação com uma chave de fendas ou outra ferramenta do género.

► **Fig.30:** 1. Anel em E 2. Braço de ligação

OBSERVAÇÃO: O anel em E é uma peça consumível. Não reutilize o anel em E quando voltar a montar.

6. Remova cuidadosamente o pino.

► **Fig.31:** 1. Pino

7. Remova os dois parafusos da parte lateral da caixa.

► **Fig.32:** 1. Parafusos

8. Remova cuidadosamente a tesoura superior e inferior da caixa.

► **Fig.33**

9. Para separar a lâmina superior e a lâmina inferior, solte primeiro o parafuso de fixação da chapa.

Depois, remova a chapa de bloqueio.

► **Fig.34:** 1. Parafuso de fixação da chapa 2. Chapa de bloqueio

10. Solte e remova a porca de aperto das lâminas.

► **Fig.35:** 1. Porca de aperto das lâminas 2. Parafuso de aperto das lâminas

Para montar as lâminas da tesoura, execute inversamente os procedimentos acima. Certifique-se de que todos os parafusos estão apertados em segurança.

Depois de instalar a lâmina, regule sempre a folga da lâmina. (Consulte "Regulação da folga da lâmina").

Para montar as lâminas da tesoura, execute inversamente os procedimentos acima. Quando instalar as lâminas da tesoura, tome atenção aos seguintes pontos:

- Aplique óleo ou graxa de máquina no parafuso de aperto das lâminas e entre as lâminas.
- Se não conseguir instalar adequadamente o parafuso de fixação da chapa, retire primeiro o anel em O e o parafuso de fixação da chapa da chapa de bloqueio. Depois, vire a chapa de bloqueio ao contrário e volte a colocar o anel em O e o parafuso de fixação da chapa.
- Quando instalar o resguardo do gatilho, alinhe a lingueta do resguardo do gatilho com a ranhura da caixa.

► **Fig.36**

- Certifique-se de que todos os parafusos estão apertados em segurança.
- Depois de instalar a lâmina, regule sempre a folga da lâmina. (Consulte "Regulação da folga da lâmina").
- Depois de instalar a lâmina, regule sempre a profundidade de corte. (Consulte "Regulação da profundidade de corte").

Deteção e resolução de problemas

Antes de fazer um pedido de reparação, verifique o problema sozinho. Se for encontrada alguma irregularidade, realize um controlo da ferramenta de acordo com a descrição deste manual. Se a correção mencionada em baixo não solucionar o problema, peça uma reparação junto do centro local de assistência autorizado. Nunca interfira nem desmonte nenhuma peça de uma forma contrária à descrição.

Estado da anomalia	Causa provável (avaria)	Correção
A lâmina da tesoura não se move mesmo depois de puxar o gatilho.	A bateria está fraca.	Carregue a bateria.
	O interruptor I/O está na posição "O" (desligado).	Prima o interruptor I/O para a posição "I".
	A tesoura está bloqueada.	Desbloqueie a tesoura realizando as etapas em "Ação do interruptor".
	O cabo de ligação está solto.	Verifique os pontos de ligação do cabo de ligação na caixa do interruptor e na tesoura.
	O interruptor I/O está na posição "ligado" quando inserir a bateria.	Prima o interruptor I/O para a posição "O" (desligado) uma vez e prima o interruptor I/O para a posição "I" (ligado) novamente.
	Defeito no gatilho.	Pare imediatamente a utilização da ferramenta e peça uma reparação ao centro local de assistência autorizado.
As lâminas da tesoura estão presas num ramo.	O ramo é demasiado grosso.	Solte o gatilho. Prima o interruptor I/O para a posição "O". Depois, puxe lentamente as lâminas a direito para fora do ramo.
O gatilho está bloqueado e não pode ser puxado.	As lâminas da tesoura são abertas forçando.	Desligue e ligue o interruptor I/O. (A lâmina superior da tesoura fecha ligeiramente quando se liga).
O corte não é suave.	As lâminas da tesoura estão rombas.	Afie as lâminas da tesoura ou ajuste a folga da lâmina.
	As lâminas da tesoura estão gastas.	Substitua as lâminas da tesoura.

- Lâmina superior da tesoura
- Lâmina inferior da tesoura
- Lima diamantada
- Braçadeira
- Bolsa
- Suporte do cabo
- Bateria e carregador genuínos da Makita

NOTA: Alguns itens da lista podem estar incluídos na embalagem da ferramenta como acessórios padrão. Eles podem variar de país para país.

Para manter a SEGURANÇA e a FIABILIDADE do produto, as reparações e qualquer outra manutenção ou ajuste devem ser levados a cabo pelos centros de assistência Makita autorizados ou pelos centros de assistência de fábrica, utilizando sempre peças de substituição Makita.

ACESSÓRIOS OPCIONAIS

⚠️ PRECAUÇÃO: Estes acessórios ou peças são recomendados para utilização com a ferramenta Makita especificada neste manual. A utilização de outros acessórios ou peças pode ser perigosa para as pessoas. Utilize apenas acessórios ou peças para os fins indicados.

Se necessitar de informações adicionais relativas a estes acessórios, solicite-as ao seu centro de assistência Makita.

SPECIFIKATIONER

Model:	DUP361	
Maks. skærekapacitet	33 mm	
Længde i alt (saksedel)	305 mm	
Mærkespænding	DC 36 V	
Akku	BL1815N, BL1820, BL1820B	BL1830, BL1830B, BL1840, BL1840B, BL1850, BL1850B, BL1860B
Nettovægt (med saks, afbryderkasse, forbindelsesledning, to akkuer og rygseæk)	3,3 kg	3,8 kg

- På grund af vores kontinuerlige forsknings- og udviklingsprogrammer kan hosstående specifikationer blive ændret uden varsel.
- Specifikationer og akku kan variere fra land til land.
- Vægt inklusive akku, i henhold til EPTA-Procedure 01/2003

Symboler

Følgende viser de symboler, der anvendes til udstyret. Vær sikker på, at De forstår betydningen af symbolerne før brugen.



Læs betjeningsvejledningen.



Må ikke udsættes for fugt.



Fare; pas på kastede genstande.



Hold omkringstående på afstand.



Kun for lande inden for EU
Bortskaf ikke elektrisk udstyr eller akkuen sammen med almindeligt husholdningsaffald!
I overensstemmelse med EU-direktiverne vedrørende Affald af elektrisk og elektronisk udstyr samt Batterier og akkumulatorer og Batteri- og akkumulatoraffald og deres anvendelse i overensstemmelse med nationale love skal elektrisk udstyr og batterier og batteripakker, der har nået slutningen af deres levetid, indsamles separat og returneres til en miljøvenlig genbrugsstation.

Tilsigtet anvendelse

Denne maskine er beregnet til beskæring af kviste og grene.

Lyd

Det typiske A-vægtede støjniveau bestemt i overensstemmelse med EN50636:

Lydtryksniveau (L_{pA}): 70 dB (A) eller derunder
Usikkerhed (K): 3,2 dB (A)

Støjniveauet under arbejdet kan overskride 80 dB (A).

ADVARSEL: Bær høreværn.

Vibration

Vibrationens totalværdi (tre-aksial vektorsum) bestemt i overensstemmelse med EN50636:

Vibrationsemission (a_{rh}): 2,5 m/s² eller mindre
Usikkerhed (K): 1,5 m/s²

BEMÆRK: Den angivne vibrationsemissionsværdier blevet målt i overensstemmelse med standardtestmetoden og kan anvendes til at sammenligne et værktøj med et andet.

BEMÆRK: Den angivne vibrationsemissionsværdien kan også anvendes i en præliminær eksponeringsvurdering.

ADVARSEL: Vibrationsemissionen under den faktiske anvendelse af værktøjet kan være forskellig fra den erklærede emissionsværdi, afhængigt af den måde, hvorpå værktøjet anvendes.

ADVARSEL: Sørg for at identificere de sikkerhedsforskrifter til beskyttelse af operatøren, som er baseret på en vurdering af eksponering under de faktiske brugsforhold (med hensyntagen til alle dele i brugscyklussen, f.eks. de gange, hvor værktøjet er slukket, og når det kører i tomgang i tilgift til afbrydertiden).

EU-konformitetserklæring

Kun for lande i Europa

Makita erklærer, at den følgende maskine (maskiner):

Maskinens betegnelse: Akku grensaks

Model nr./ Type: DUP361

Opfylder betingelserne i de følgende EU-direktiver:
2006/42/EU

De er fremstillet i overensstemmelse med den følgende standard eller standardiserede dokumenter: EN ISO 12100

Den tekniske fil, som er i overensstemmelse med 2006/42/EU er tilgængelig fra:

Makita, Jan-Baptist Vinkstraat 2, 3070, Belgien



Yasushi Fukaya

Direktør

Makita, Jan-Baptist Vinkstraat 2, 3070, Belgien

Sikkerhedsadvarsler for grensaks

⚠ ADVARSEL: Læs alle sikkerhedsadvarsler og alle sikkerhedsinstruktioner. Hvis nedenstående advarsler og instruktioner ikke overholdes, kan det medføre elektrisk stød, brand og/eller alvorlig personskade.

Gem alle advarsler og instruktioner til fremtidig reference.

Ordet "el-værktøj" i advarslerne henviser til det netforsyede (netledning) el-værktøj eller batteriforsyede (akku) el-værktøj.

- Bær personligt beskyttelsesudstyr. Brug altid beskyttelsesbriller.** Beskyttelsesudstyr som f.eks. støvmaske, skridsikre sko, hjelm eller hørevarn, der benyttes under de relevante forhold, forebygger personskade.
- Forebyg, at el-værktøjet starter ved et uheld. Sørg for, at afbryderen er slået fra, før De sætter el-værktøjet til strømforsyningen og/eller batteriet, tager værktøjet op eller bærer det.** Hvis De bærer el-værktøj med fingeren på afbryderen, eller hvis De sætter strøm til el-værktøj, mens afbryderen er slået til, kan det medføre uheld.
- Bær korrekt påklædning. Bær ikke løs påklædning eller smykker.** Hold hår, tøj og handsker væk fra bevægelige dele. Løst tøj, smykker eller langt hår kan sidde fast i bevægelige dele.
- Denne maskine er beregnet til beskæring af grene.** Brug det ikke til noget andet arbejde end det, det er beregnet til.
- Lad aldrig børn, personer med reducerede fysiske, sensoriske eller mentale evner eller med manglende erfaring og viden, eller personer som ikke er bekendt med disse instruktioner bruge denne maskine.** Lokale bestemmelser sætter muligvis en grænse for operatørens alder.
- Betjen aldrig maskinen mens der er personer, især børn, eller kæledyr i nærheden.**
- Stræk dig ikke for langt frem og sørg for altid at holde balancen.** Sørg altid for at have et godt fodfæste på skråninger, samt at gå og aldrig løbe.
- Rør ikke ved farlige dele i bevægelse før maskinen er afbrudt fra stikkontakten, og/eller batteripakken er fjernet fra maskinen.**
- Anvend altid robust fodtøj og lange bukser under anvendelse af maskinen.**
- Afbryd forbindelsen til strømforsyningen og/eller fjern batteripakken fra maskinen:**
 - når brugeren forlader maskinen,
 - inden der fjernes en blokering,
 - inden eftersyn, rengøring eller arbejde på maskinen,

- før maskinen efterses for skader, efter der er ramt et fremmedlegeme,
 - ved øjeblikkeligt eftersyn, hvis maskinen begynder at vibrere unormalt.
- Betjen aldrig maskinen med defekte afskærmninger eller værn, eller uden sikkerhedsudstyr, eller hvis ledningen er beskadiget eller slidt.**
 - Undlad at anvende maskinen i dårligt vejr, især når der er risiko for lynnedslag.**
 - Brug ikke denne maskine og foretag ikke batteriudskiftning i regnvejr.**
 - Efterlad ikke maskinen i regnvejr eller på våde steder.**
 - Undgå at fremmedlegemer sætter sig fast mellem knivene.** Såfremt knivene blokeres pga. fremmedlegemer, skal du omgående slukke for maskinen og afbryde akkuen fra maskinen. Fjern derefter fremmedlegemet fra knivene.
 - Hold aldrig den gren, du beskærer, med din frie hånd.** Hold din frie hånd væk fra skæreområdet. Rør aldrig knivene, da de er meget skarpe, og du kan skære dig på dem.
 - Brug ikke kræfter til maskinen når der klippes.** Det kan medføre, at du glider og kommer til skade, eller utilsigtet klipper i andre ting.
 - Undgå at klippe i skjulte el-ledninger.**
 - Kontrollér altid knivene omhyggeligt før brug.**
 - Vær altid ekstremt forsigtig i omgangen med knivene, så du ikke skærer dig eller kommer til skade på knivene.**
 - Efter hver anvendelse, og inden der udføres eftersyn og vedligeholdelse, skal akkuen altid afbrydes fra maskinen.**
 - Når maskinen ikke er i brug, skal den altid opbevares i dens hylster.**

Brug og vedligeholdelse af batteriet

- Oplad kun med den oplader, som producenten angiver** En oplader, der passer til én type batteri, kan forårsage brand, hvis den anvendes med et andet batteri.
- Brug kun el-værktøjer sammen med de tilhørende batteripakker.** Brug af andre batteripakker kan forårsage personskade og brand.
- Når batteripakker ikke anvendes, skal de holdes borte fra andre metalgenstande som papirclips, mønter, nøgler, søm, skruer og andre små metalgenstande, der kan skabe forbindelse mellem terminalerne.** Hvis batteriets terminaler kortsluttes, kan det forårsage brand.
- I tilfælde af misbrug kan der sprøjte væske ud fra batteriet. Undgå kontakt. Skyl med vand, hvis De kommer i kontakt med væsken. Søg læge, hvis De får væske i øjet.** Væske, der sprøjter ud fra batteriet, kan medføre irritation eller forbrændinger.

Service

- Få udført service på el-værktøjet hos en autoriseret mekaniker, og brug kun tilsvarende reservedele.** Derved vedligeholdes el-værktøjets sikkerhed.
- Følg instruktionerne for smøring og udskiftning af tilbehør.**
- Hold håndtagene tørre, rene og fri for olie og fedtstoffer.**

⚠ ADVARSEL: LAD IKKE bekvemmelighed eller kendskab til produktet (opnået gennem gentagen brug) forhindre, at sikkerhedsforskrifterne for produktet nøje overholdes. MISBRUG eller forsømmelse af at følge de i denne brugsvejledning givne sikkerhedsforskrifter kan medføre alvorlig personskade.

Vigtige sikkerhedsinstruktioner for akkuen

1. Læs alle instruktioner og advarselmærkater på (1) akku-opladeren, (2) akkuen og (3) produktet, som anvender akku.
2. Lad være med at skille akkuen ad.
3. Hold straks op med anvendelsen, hvis brugstiden er blevet stærkt afkortet. Fortsat anvendelse kan resultere i risiko for overophedning, forbrændinger og endog eksplosion.
4. Hvis De har fået elektrolytvæske i øjnene, skal De straks skylle den ud med rent vand og derefter øjeblikkeligt søge lægehjælp. I modsat fald kan De miste synet.
5. Vær påpasselig med ikke at komme til at kortslutte akkuen:
 - (1) Rør ikke ved terminalerne med noget ledende materiale.
 - (2) Undgå at opbevare akkuen i en beholder sammen med andre genstande af metal, for eksempel søm, mønter og lignende.
 - (3) Udsæt ikke akkuen for vand eller regn. Kortslutning af akkuen kan forårsage en kraftig øgning af strømmen, overophedning, mulige forbrændinger og endog værktøjstop.
6. Opbevar ikke værktøjet og akkuen på et sted, hvor temperaturen kan nå eller overstige 50 °C.
7. Lad være med at brænde akkuen, selv ikke i tilfælde, hvor den har lidt alvorlig skade eller er fuldstændig udtjent. Akkuen kan eksplodere, hvis man forsøger at brænde den.

8. Lad være med at brænde akkuen eller udsætte den for stød.
9. Anvend ikke en beskadiget akku.
10. De indbyggede litium-ion-batterier er underlagt lovkrav vedrørende farligt gods. Ved kommerciel transport, f.eks. af tredjeparts transportselskaber, skal særlige krav til forpakning og mærkning overholdes. Ved forberedelse af udstyret til forsendelse skal du kontakte en ekspert i farligt gods. Overhold også eventuel mere detaljeret national lovgivning. Tape eller tildæk åbne kontakter, og pak batteriet på en måde, så det ikke kan flytte sig rundt i pakningen.
11. Følg de lokale love vedrørende bortskaffelsen af batterier.

GEM DENNE BRUGSANVISNING.

⚠ FORSIGTIG: Brug kun originale batterier fra Makita. Brug af uoriginale Makita-batterier, eller batterier som er blevet ændret, kan muligvis medføre brud på batteriet, hvilket kan forårsage brand, personskade eller beskadigelse. Det ugyldiggør også Makita-garantien for Makita-maskinen og opladeren.

Tips til opnåelse af maksimal akku-levetid

1. Oplad akkuen, inden den er helt afladet. Stop altid værktøjet, og oplad akkuen, hvis De bemærker, at værktøjeffekten er aftagende.
2. Genoplad aldrig en fuldt opladet akku. Overopladning vil afkorte akkuens levetid.
3. Oplad akkuen ved stuetemperatur ved 10 °C - 40 °C. Lad altid en varm akku få tid til at køle af, inden den oplades.
4. Oplad akkuen, hvis De ikke skal bruge den i længere tid (mere end seks måneder).

N-mærke

N-mærket er et varemærke eller registreret varemærke tilhørende NFC Formula, Inc. i USA og andre lande i verden.

BESKRIVELSE AF DELENE

► Fig.1

1	Bæresele	2	Rygsæk	3	Afbryderkasse	4	Pilotlampe (rød)
5	Pilotlampe (grøn)	6	I/O-afbryder	7	Hylster	8	Ledningsholder
9	Forbindelsesledning	10	Saks	11	Afbryderknop	-	-

FUNKTIONSBESKRIVELSE

⚠ FORSIGTIG: Sørg altid for at maskinen er slukket, og at akkuen er taget ud, før der udføres justering eller kontrol af funktioner på maskinen.

Isætning eller fjernelse af akkuen

⚠ FORSIGTIG: Sluk altid for værktøjet, før De monterer eller fjerner akkuen.

⚠ FORSIGTIG: Hold værktøjet og akkuen fast ved montering eller fjernelse af akkuen. Hvis De ikke holder værktøjet og akkuen fast, kan de glide ud af hænderne på Dem og forårsage beskadigelse af værktøjet og akkuen eller personskade.

- **Fig.2:** 1. Rød indikator 2. Knap 3. Akku
4. Batterholder

Akkuen fjernes ved, at De trækker den ud af værktøjet, idet De skyder knappen på forsiden af akkuen i stilling.

Akkuen monteres ved, at De sætter tungen på akkuen ud for noten i kabinettet og lader den glide på plads. Sæt den hele vejen ind, så den låses på plads med et lille klik. Hvis den røde indikator på oversiden af knappen er synlig, betyder det, at den ikke er tilstrækkeligt låst.

⚠FORSIGTIG: Monter altid akkuen helt, indtil den røde indikator ikke længere er synlig. Hvis dette ikke gøres, kan den falde ud af værktøjet ved et uheld, hvorved De selv eller personer i nærheden kan komme til skade.

⚠FORSIGTIG: Brug ikke magt ved montering af akkuen. Hvis akkuen ikke glider på plads uden problemer, betyder det, at den ikke sættes i på korrekt vis.

BEMÆRK: Værktøjet fungerer ikke med kun én akku.

Beskyttelsessystem til værktøj/ batteri

Denne maskine er udstyret med et system til beskyttelse af maskine/batteri. Dette system afbryder automatisk strømmen til motoren for at forlænge levetiden for maskinen og batteriet. Maskinen stopper automatisk under anvendelsen, hvis maskinen eller batteriet udsættes for et af de følgende forhold. Under visse forhold lyser lamperne på afbryderkassen.

Overbelastningsbeskyttelse

Når værktøjet betjenes på en måde, der får den til at bruge unormalt meget strøm, stopper værktøjet automatisk uden indikation. Sluk i så fald for værktøjet, og stop den anvendelse, der bevirkede, at værktøjet blev overbelastet. Tænd derefter for værktøjet for at starte igen.

Overophedningsbeskyttelse

Når maskinen er overophedet, stopper maskinen automatisk, og den grønne lampe på afbryderkassen blinker. I denne situation skal du lade maskinen køle af, inden du tænder for maskinen igen.

Overafladningsbeskyttelse

Når batteriladningen bliver lav, stopper maskinen automatisk. Den røde lampe på afbryderkassen lyser eller blinker. Hvis produktet ikke fungerer, selvom afbryderne betjenes, skal du fjerne akkuerne fra batteriholderen og oplade akkuerne.

Indikation af den resterende batteriladning

Kun akkuer, hvor modelnummeret slutter med "B"

- **Fig.3:** 1. Indikatorlamper 2. Kontrolknap

Tryk på kontrolknappen på akkuen for at få vist den resterende batteriladning. Indikatorlampen lyser i nogle sekunder.

Indikatorlamper			Resterende ladning
Tændt	Slukket	Blinker	
■ ■ ■ ■			75% til 100%
■ ■ ■ □			50% til 75%
■ ■ □ □			25% til 50%
■ □ □ □			0% til 25%
▬ □ □ □			Genoplad batteriet.
■ ■ □ □			Der er muligvis fejl i batteriet.
□ □ ■ ■			

BEMÆRK: Afhængigt af brugsforholdene og den omgivende temperatur kan indikationen afvige en smule fra den faktiske ladning.

Afbryderfunktion

⚠FORSIGTIG: Før batteriet forbindes til saksen bør det altid kontrolleres, at afbryderknappen fungerer korrekt og returnerer til "OFF" positionen, når den slippes.

⚠FORSIGTIG: Når maskinen ikke anvendes, skal du altid sørge for at I/O-afbryderen er sat på "O"-siden.

⚠FORSIGTIG: Tryk ikke I/O-afbryderen hen på "I" (til)-positionen, mens du trykker på afbryderknappen. Kniven lukker en lille smule sammen, og det kan muligvis forårsage personskade.

Udfør følgende for at tænde for maskinen:

1. Tilslut afbryderkassen, forbindelsesledningen og saksen. (Se "Installation af forbindelsesledningen".)
2. Hold godt fast i saksen og tryk I/O-afbryderen hen på "I" (til)-positionen. Den grønne pilotlampe lyser.
► **Fig.4:** 1. I/O-afbryder 2. Pilotlampe (grøn) 3. Pilotlampe (rød)
3. Knivene er i låst tilstand, når I/O-afbryderen er slået til. For at ophæve låsen skal du trykke to gange på afbryderknappen. Overkniven åbner automatisk.
4. Tryk på afbryderknappen for at lukke kniven.
► **Fig.5:** 1. Afbryderknap

Skift mellem automatisk låst tilstand og slukket tilstand

Af sikkerhedshensyn skifter automatisk maskinen til låst tilstand eller slukket tilstand, hvis maskinen ikke anvendes i et bestemt stykke tid.

Efter 5 minutter: Maskinen skifter til låst tilstand. Tryk to gange på afbryderknappen for at ophæve låsen.
Efter 15 minutter: Maskinen skifter til slukket tilstand, og den grønne pilotlampe slukker. Tryk I/O-afbryderen én gang hen på "O" (fra)-positionen, og tryk I/O-afbryderen hen på "I" (til)-positionen igen, og tryk derefter to gange på afbryderknappen for at ophæve låsen.

Vinkelvælgerarm for åbning

► Fig.6: 1. Vinkelvælgerarm for åbning

Ved at vippe vinkelvælgerarmen for åbning mod venstre side kan du åbne overkniven mere op.

For at begrænse åbningsvinklen for overkniven skal du først trykke afbryderknappen helt ind, og derefter sætte vinkelvælgerarmen for åbning tilbage i den lige position.

Justering af skæredybde

⚠FORSIGTIG: Hold dine hænder og kropsedele på afstand af knivene. Ellers kan det muligvis medføre personskade.

Juster om nødvendigt skæredybden efter slibning eller udskiftning af kniven.

Tænd for maskinen og tryk to gange på afbryderknappen for at åbne knivene, og tryk derefter på I/O-afbryderen for at skifte til "O" (fra)-positionen.

For at gøre skæredybden dybere skal du dreje skruen til justering af skæredybden i urets retning med unbrakonøglen. For at gøre skæredybden mindre skal du dreje skruen til justering af skæredybden mod urets retning.

► Fig.7: 1. Skruer til justering af skæredybde

BEMÆRK: Kontroller skæredybden efter justering. Hvis skæredybden er for lille, skæres grenen muligvis ikke helt over.

Pilotlampe på afbryderkasse

► Fig.8: 1. I/O-afbryder 2. Pilotlampe (grøn)
3. Pilotlampe (rød)

De grønne og røde lamper indikerer som følger:

(Til: ● Fra: ○ Blinker: ⚡)

- Grøn lampe lyser: maskinen er tændt.

Grøn	Rød
●	○

- Grøn lampe og rød lampe lyser: Hvis du sætter batteriet i batteriholderen, når I/O-afbryderen står på "I" (til)-positionen, lyser begge lamperne, og kniven bevæger sig ikke, selvom du trykker på afbryderknappen. Tryk i så fald I/O-afbryderen én gang hen på "O" (fra)-positionen, og tryk I/O-afbryderen hen på "I" (til)-positionen igen.

Grøn	Rød
●	●

- Grøn lampe blinker: maskinen er overophedet. Lad maskinen køle af, inden du tænder for maskinen igen.

	Grøn	Rød
⚡	⚡	○

- Grøn lampe lyser, og rød lampe blinker eller lyser: batteriet er lavt eller næsten fladt. Oplad batterierne. Når ét af batterierne bliver lavt, blinker den røde lampe, selv om ét af batterierne er fuldt opladet.

	Grøn	Rød
⚡	●	⚡ / ●

- Grøn lampe og rød lampe blinker på skift: maskinen detekterer brud på ledning. Kontroller forbindelsesledningen for løs forbindelse med afbryderkassen og saksen. Hvis lamperne stadig blinker skiftevis, skal du straks stoppe med at anvende maskinen, afbryde forbindelsesledningen, fjerne batteriet og bede dit lokale autoriserede servicecenter om at udføre reparation.

⚠	Lamper blinker på skift
	○ ● ↔ ● ○

SAMLING

⚠FORSIGTIG: Sørg altid for at maskinen er slukket, og at akkuen er taget ud, før der udføres noget arbejde på maskinen.

Installation af batteriholderen i rygsækken

► Fig.9: 1. Klemme 2. Batteriholder 3. Rem

1. Før afbryderkassen gennem åbningen (enten højre eller venstre) i rygsækken.
2. Før klemmen gennem det firkantede hul i batteriholderen, og fastgør batteriholderen med remmen. Sørg for at batteriholderen er placeret ordentligt i rygsækken.

Installation af hylsteret

► Fig.10: 1. Hylster 2. Rem

Før bæltet fra det nederste spænde gennem åbningen i hylsteret.

Justering af bæreselen

Juster bæreselen som følger:

1. Luk og lås det nederste spænde og juster dets bæltelængde.

► Fig.11: 1. Nederste spænde

2. Juster skulderremmens længde.

► Fig.12

3. Juster positionen af det øverste spænde. Luk og lås det øverste spænde og juster dets bæltelængde.

► Fig.13: 1. Øverste spænde

⚠FORSIGTIG: I nødstilfælde skal du hurtigt åbne det nederste spænde og det øverste spænde, løsne skulderremmene og sætte rygsækken ned.

Installation af forbindelsesledningen

⚠️FORSIGTIG: Sørg altid for at afbryderkassens I/O-afbryder er sat på "O"-siden, inden du fastgør forbindelsesledningen.

⚠️FORSIGTIG: Betjen ikke maskinen, hvis forbindelsesledningen er beskadiget.

BEMÆRKNING: Brug ikke forbindelsesledningen forkert. Bær ikke maskinen ved trække i forbindelsesledningen. Hold forbindelsesledningen væk fra varme, olie og skarpe kanter. Ellers kan forbindelsesledningen muligvis blive beskadiget.

Fastgør forbindelsesledningen til afbryderkassen og saksen som følger:

1. Ret først trekantsmærkerne på forbindelsesledningens hanstik ind med trekantsmærket på afbryderkassens hunstik. Tryk forbindelsesledningens stik ind i stikket på afbryderkassen. Ret derefter mærket på koblingen ind med trekantsmærkerne, og tryk ind og drej på koblingen for at spænde til.

► **Fig.14:** 1. Trekantsmærke 2. Forbindelsesledning 3. Afbryderkasse 4. Mærke på kobling 5. Kobling

BEMÆRKNING: Drej først på koblingen og ret mærket på koblingen ind med trekantsmærkerne, når du afbryder forbindelsesledningen.

2. Hæng afbryderkassen på hoftebæltet eller det øverste bælte.

► **Fig.15**

3. Skub forbindelsesledningen ind i ledningsholderens løkke.

► **Fig.16**

Hæng ledningsholderen på enten det øverste bælte eller det hoftebælte, som afbryderkassen ikke hænger på.

Ledningsholderen forhindrer forbindelsesledningen i at dingle rundt om din krop, og derudover kan ledningsholderen også forhindre forbindelsesledningen i at blive skåret over ved et uheld.

► **Fig.17**

► **Fig.18**

BEMÆRKNING: Hæng ikke noget andet en forbindelsesledningen på ledningsholderen. Ellers kan ledningsholderen muligvis gå i stykker.

BEMÆRKNING: Anvend ikke kræfter mod ledningsholderens åbning. Ellers kan det resultere i deformation eller beskadigelse af ledningsholderen.

4. Sæt armbåndet på din arm. Før forbindelsesledningen gennem armbåndet.

► **Fig.19:** 1. Armbånd

5. Ret først trekantsmærkerne på hunstikket på forbindelsesledningen ind med trekantsmærket på hanstikket på saksen. Tryk forbindelsesledningens stik ind i saksens stik. Ret derefter mærket på koblingen ind med trekantsmærkerne, og tryk ind og drej på koblingen for at spænde til.

► **Fig.20:** 1. Trekantsmærke 2. Forbindelsesledning 3. Saks 4. Mærke på kobling 5. Kobling

BEMÆRKNING: Drej først på koblingen og ret mærket på koblingen ind med trekantsmærkerne, når du afbryder forbindelsesledningen.

Placering af saksen i hylsteret

Fortsæt med at trykke på afbryderknappen for at lukke knivene, og tryk I/O-afbryderen over på "O"-siden for at slukke for maskinen. Placer derefter saksen i hylsteret og fastgør saksen med hylsterets rem.

ANVENDELSE

⚠️FORSIGTIG: Hold altid godt fast i maskinen. Sørg for at have et godt fodfæste.

⚠️FORSIGTIG: Placer ikke nogen kroppsdele i nærheden af knivene under anvendelsen.

⚠️FORSIGTIG: Inden brug skal du se efter for, om knivene, knivboltene og andre dele ikke er slidte eller beskadigede. Udskift slidte eller beskadigede dele af hensyn til sikker anvendelse.

BEMÆRKNING: Hvis kniven sidder fast i en gren under anvendelsen, skal du ikke vride kniven. I denne situation skal du slukke for maskinen og trække knivene langsomt og lige ud af grenen. Ellers kan kniven muligvis blive beskadiget.

BEMÆRKNING: Hvis du klipper en for tyk gren, eller noget der er for hårdt, aktiveres overbelastningsbeskyttelsen, og maskinen stopper. Hvis overkniven i denne situation er åbnet for meget, og afbryderknappen er trykket helt ind, lukker overkniven en smule, når du trykker I/O-afbryderen hen på "I" (til)-positionen for at genstarte maskinen.

Beskæringsarbejde

► **Fig.21**

Skær grene én efter én. Den maksimale grentykkelse, der kan skæres med denne saks, er cirka 33mm. Sørg hele tiden for at have sikkert fodfæste og balance.

Efter brug

Luk knivene, tryk I/O-afbryderen hen på "O" (fra)-positionen, og afbryd forbindelsesledningen fra saksen og afbryderkassen, og fjern batterierne fra batteriholderen. Opbevar saksen på et højt, tørt og aflåst sted, der er utilgængeligt for børn.

BEMÆRKNING: Fjern batteriet, når du ikke anvender saksen. Ellers reduceres batteriladningen med tiden.

VEDLIGEHOLDELSE

⚠️FORSIGTIG: Vær altid sikker på, at værktøjet er slukket, og at akkuen er taget ud, inden De begynder at udføre inspektion eller vedligeholdelse.

⚠️FORSIGTIG: Anvend sikkerhedshandsker ved håndtering af kniven. Ellers kan det muligvis medføre personskade.

BEMÆRKNING: Anvend aldrig benzin, rensebenzin, fortynder, alkohol og lignende. Det kan medføre misfarvning, deformation eller revner.

Knivedligneholdelse

BEMÆRKNING: Foretages der ikke knivedligneholdelse, kan det medføre for meget knivfriktion, hvilket afkorter driftstiden pr. batteriopladning.

Efterse knivene omhyggeligt før og efter brug. Rengør knivene med en stiv børste efter endt brug. Tør derefter knivene af med en klud. Påfør ægte maskinolie fra Makita på knivsæggen og den bevægelige del.

► Fig.22

Slibning af knivene

Overkniv

1. Brug diamantfilens flade side til knivsæggen.

Skub diamantfilen mod knivens spids for at slibe langs hele knivens æg.

Bevar den samme flade kontakt med filen langs hele knivsæggen.

► Fig.23: 1. Diamantfil

2. Tryk diamantfilens flade side let ind mod den modsatte side af kniven.

Før let diamantfilen mod spidsen af kniven for at fjerne grater.

► Fig.24

BEMÆRKNING: Slib ikke denne side for meget. Fil let for kun at fjerne grater. Ellers kan knivfrigangen muligvis blive for stor, eller knivlevetiden kan muligvis blive forkortet.

Underkniv

1. Brug diamantfilens runde side til knivsæggen.

Skub diamantfilen mod knivens spids for at slibe langs hele knivens æg.

► Fig.25

2. Tryk diamantfilens flade side let ind mod den modsatte side af kniven.

Før let diamantfilen mod spidsen af kniven for at fjerne grater.

► Fig.26

BEMÆRKNING: Slib ikke denne side for meget. Fil let for kun at fjerne grater. Ellers kan knivfrigangen muligvis blive forkortet.

Justering af knivfrigang

► Fig.27: 1. Bolt til pladefastgørelse 2. Låseplade
3. Møtrik til stramning af knive

Indimellem skal du justere knivenes frigang som følger:

1. Tænd for maskinen og tryk på afbryderknappen for at åbne knivene.

2. Sluk for maskinen, mens knivene er åbne. Afbryd forbindelsesledningen fra maskinen.

3. Løsn boltene til pladefastgørelse. Fjern derefter låsepladen.

4. Juster stramningen af møtrikken til stramning af knivene ved hjælp af håndkraft (spændingsmoment for møtrikken til stramning af knive: ca. 0,5 N·m).

5. Monter låsepladen og boltene til pladefastgørelse igen.

6. Kontroller stramningen af kniven, så knivene aldrig rasler, men overkniven kan åbnes eller lukkes ca. 3 mm ved hjælp af håndkraft. Hvis knivene er for stramme eller løse, skal du justere frigangen igen.

BEMÆRKNING: Vær opmærksom på knivenes frigang. For meget frigang kan resultere i en sløv skæring, og en for stram knivfrigang kan muligvis resultere i overbelastning af motoren og kort anvendelsestid af maskinen.

Afmontering eller montering af knive

Udfør de følgende trin for at afmontere knivene:

1. Vip først vinkelvælgerarmen for åbning mod venstre side for at åbne knivene helt.

2. Tænd for maskinen og tryk på afbryderknappen for at åbne knivene.

3. Sluk for maskinen, mens knivene er åbne. Afbryd forbindelsesledningen fra maskinen.

► Fig.28

4. Fjern to bolte i nærheden af afbryderknappen med unbrakonøglen.

Afmonter afbryderbeskytteren ved at fjerne tungen på afbryderbeskytteren fra rillen i huset.

► Fig.29: 1. Bolte 2. Afbryderbeskytter

5. Fjern E-ringen på linkarmen med en flad skrue-trækker eller lignende.

► Fig.30: 1. E-ring 2. Linkarm

BEMÆRKNING: E-ringen er en forbrugsdel. Genbrug ikke E-ringen ved genmontering.

6. Fjern forsigtigt stiften.

► Fig.31: 1. Stift

7. Fjern to bolte fra siden af huset.

► Fig.32: 1. Bolte

8. Fjern forsigtigt over- og underknivene fra huset.

► Fig.33

9. For at adskille overkniven og underkniven skal du først løsne boltene til pladefastgørelse.

Fjern derefter låsepladen.

► Fig.34: 1. Bolt til pladefastgørelse 2. Låseplade

10. Løsn og fjern møtrikken til stramning af knivene.

► Fig.35: 1. Møtrik til stramning af knive 2. Bolt til stramning af knive

Udfør procedureerne ovenfor i omvendt rækkefølge for at montere knivene. Sørg for at alle boltene er strammet ordentligt.

Juster altid knivfrigangen efter montering af kniven. (Se "Justering af knivfrigang".)

Udfør procedureerne ovenfor i omvendt rækkefølge for at montere knivene. Vær opmærksom på de følgende punkter ved montering af knivene:

- Smør maskinolie eller smørelse på bolten til stramning af kniven og mellem knivene.
- Hvis du ikke kan placere bolten til pladefastgørelse ordentligt, skal du først fjerne O-ringen og bolten til pladefastgørelse fra låsepladen. Vend derefter låsepladen om og sæt O-ringen og bolten til pladefastgørelse tilbage igen.
- Når du monterer afbryderbeskytteren, skal du rette tungen på afbryderbeskytteren ind med rillen i huset.

► Fig.36

- Sørg for at alle boltene er strammet ordentligt.
- Juster altid knivfrigangen efter montering af kniven. (Se "Justering af knivfrigang".)
- Juster altid skæredybden efter montering af kniven. (Se "Justering af skæredybde".)

Fejlfinding

Inden du anmoder om reparation, skal du selv kontrollere for fejl. Hvis der er noget unormalt, skal du kontrollere din maskine i henhold til beskrivelsen i denne vejledning. Hvis afhjælpningen beskrevet nedenfor ikke kan løse problemet, skal du bede dit lokale autoriserede servicecenter om reparation. Forsøg aldrig at rode ved eller afmontere nogen andre dele end som beskrevet.

Unormal tilstand	Sandsynlig årsag (fejl)	Afhjælpning
Kniven bevæger sig ikke, selv efter tryk på afbryderknappen.	Batteriet er lavt.	Oplad batteriet.
	I/O-afbryderen er i "Fra"-positionen.	Tryk I/O-afbryderen hen på "I"-positionen.
	Knivene er låst.	Lås knivene op ved at udføre trinene i "Afbryderfunktion".
	Forbindelsesledningen er løs.	Kontroller forbindelsesledningens forbindelsespunkter på afbryderkassen og saksen.
	I/O-afbryderen er i "til"-positionen, når akkuen indsættes.	Tryk I/O-afbryderen én gang hen på "O" (fra)-positionen, og tryk I/O-afbryderen hen på "I" (til)-positionen igen.
Afbryderknappen er defekt.	Stop straks brugen af maskinen og bed dit lokale autoriserede servicecenter om reparation.	
Knivene sidder fast i grenen.	Grenen er for tyk.	Slip afbryderknappen. Tryk I/O-afbryderen hen på "O"-positionen. Træk derefter knivene langsomt og lige ud af grenen.
Afbryderknappen er låst og kan ikke trykkes ind.	Knivene er tvunget åbne.	Sluk og tænd på I/O-afbryderen. (Overkniven lukker en smule, når der tændes.)
Snittet er ikke jævnt.	Knivene er sløve.	Slib knivene eller juster knivfrigangen.
	Knivene er slidte.	Udskift knivene.

For at opretholde produktets SIKKERHED og PÅLIDELIGHED må reparation, vedligeholdelse eller justering kun udføres af et autoriseret Makita servicecenter eller fabrikksservicecenter med anvendelse af Makita reservedele.

EKSTRAUDSTYR

⚠FORSIGTIG: Det følgende tilbehør og ekstraudstyr er anbefalet til brug med Deres Makita maskine, der er beskrevet i denne brugsanvisning. Anvendelse af andet tilbehør eller ekstraudstyr kan udgøre en risiko for personskade. Anvend kun tilbehør og ekstraudstyr til det beskrevne formål.

Hvis De behøver hjælp ved valg af tilbehør eller ønsker yderligere informationer, bedes De kontakte Deres lokale Makita servicecenter.

- Overkniv
- Underkniv
- Diamantfil
- Armbånd
- Hylster
- Ledningsholder
- Original Makita-akku og oplader

BEMÆRK: Nogle ting på denne liste kan være inkluderet i værktøjspakken som standardtilbehør. Det kan være forskellige fra land til land.

ΠΡΟΔΙΑΓΡΑΦΕΣ

Μοντέλο:	DUP361	
Μέγιστη ικανότητα κοπής	33 mm	
Συνολικό μήκος (τμήμα ψαλιδιού)	305 mm	
Ονομαστική τάση	D.C. 36 V	
Κασέτα μπαταριών	BL1815N, BL1820, BL1820B	BL1830, BL1830B, BL1840, BL1840B, BL1850, BL1850B, BL1860B
Καθαρό βάρος (με ψαλίδι, κουτί διακοπών, καλώδιο σύνδεσης, δύο κασέτες μπαταριών και θήκη πλάτης)	3,3 kg	3,8 kg

- Λόγω του συνεχιζόμενου προγράμματος έρευνας και ανάπτυξης, οι προδιαγραφές αυτές υπόκεινται σε αλλαγές χωρίς προειδοποίηση.
- Οι προδιαγραφές και η κασέτα μπαταριών μπορεί να διαφέρουν ανάλογα με τη χώρα.
- Βάρος, με κασέτα μπαταριών, σύμφωνα με τη διαδικασία ΕΡΤΑ 01/2003

Σύμβολα

Παρακάτω παρουσιάζονται τα σύμβολα που χρησιμοποιούνται για τον εξοπλισμό. Βεβαιωθείτε ότι κατανοείτε τη σημασία τους πριν από τη χρήση.



Διαβάστε το εγχειρίδιο οδηγιών.



Μην εκθέτετε σε υγρασία.



Κίνδυνος. Να προσέχετε για εκτοξευόμενα αντικείμενα.



Να απομακρύνετε τυχόν παρευσκόμενους.



Μόνο για τις χώρες της ΕΕ
Μην απορρίπτετε ηλεκτρικό εξοπλισμό ή την μπαταρία μαζί με τα οικιακά απορρίμματα!
Σύμφωνα με τις Ευρωπαϊκές Οδηγίες για τον απόβλητο ηλεκτρικό και ηλεκτρονικό εξοπλισμό και τις μπαταρίες και συσσωρευτές και τις απόβλητες μπαταρίες και συσσωρευτές και την ενσωμάτωση τους σύμφωνα με την εθνική νομοθεσία, ο ηλεκτρικός εξοπλισμός και η μπαταρία και τα πακέτα μπαταριών που έχουν φτάσει το τέλος ζωής τους πρέπει να συλλέγονται ξεχωριστά και να επιστρέφονται σε εγκαταστάσεις περιβαλλοντικά συμβατής ανακύκλωσης.

Προοριζόμενη χρήση

Το εργαλείο προορίζεται για το κλάδεμα κλαριών ή κλαδιών.

Θόρυβος

Το τυπικό Α επίπεδο καταμετρημένου θορύβου καθορίζεται σύμφωνα με το EN50636:

Στάθμη ηχητικής πίεσης (L_{pA}): 70 dB (A) ή λιγότερο
Αβεβαιότητα (K): 3,2 dB (A)

Η ένταση θορύβου υπό συνθήκες εργασίας μπορεί να

υπερβεί τα 80 dB (A).

ΠΡΟΕΙΔΟΠΟΙΗΣΗ: Να φοράτε ωτοασπίδες.

Κραδασμός

Η ολική τιμή δόνησης (άθροισμα τρι-αξονικού διανύσματος) καθορίζεται σύμφωνα με το EN50636:
Εκπομπή δόνησης (a_h): 2,5 m/s² ή λιγότερο
Αβεβαιότητα (K): 1,5 m/s²

ΠΑΡΑΤΗΡΗΣΗ: Η δηλωμένη τιμή εκπομπής κραδασμών έχει μετρηθεί σύμφωνα με την πρότυπη μέθοδο δοκιμής και μπορεί να χρησιμοποιηθεί για τη σύγκριση ενός εργαλείου με άλλο.

ΠΑΡΑΤΗΡΗΣΗ: Η δηλωμένη τιμή εκπομπής κραδασμών μπορεί να χρησιμοποιηθεί και στην προκαταρκτική αξιολόγηση έκθεσης.

ΠΡΟΕΙΔΟΠΟΙΗΣΗ: Η εκπομπή κραδασμών κατά τη χρήση του ηλεκτρικού εργαλείου σε πραγματικές συνθήκες μπορεί να διαφέρει από τη δηλωμένη τιμή εκπομπής ανάλογα με τον τρόπο χρήσης του εργαλείου.

ΠΡΟΕΙΔΟΠΟΙΗΣΗ: Φροντίστε να λάβετε τα κατάλληλα μέτρα προστασίας του χειριστή βάσει ενός υπολογισμού της έκθεσης σε πραγματικές συνθήκες χρήσης (λαμβάνοντας υπόψη όλες τις συνιστώσες του κύκλου λειτουργίας όπως τους χρόνους που το εργαλείο είναι εκτός λειτουργίας και όταν βρίσκεται σε αδρανή λειτουργία πέραν του χρόνου ενεργοποίησης).

Δήλωση Συμμόρφωσης ΕΚ

Μόνο για χώρες της Ευρώπης

Η Makita δηλώνει ότι τα ακόλουθα μηχανήματα:
Χαρακτηρισμός μηχανήματος: Κλαδευτικό ψαλίδι μπαταρίας

Αρ. μοντέλου/ Τύπος: DUP361

Συμμορφώνονται με τις ακόλουθες Ευρωπαϊκές

Οδηγίες: 2006/42/ΕΚ

Κατασκευάζονται σύμφωνα με τα ακόλουθα πρότυπα ή έγγραφα τυποποίησης: EN ISO 12100

Το τεχνικό αρχείο σύμφωνα με την 2006/42/EK διατίθεται από:

Makita, Jan-Baptist Vinkstraat 2, 3070, Βέλγιο
29.1.2015



Yasushi Fukaya

Διευθυντής

Makita, Jan-Baptist Vinkstraat 2, 3070, Βέλγιο

Προειδοποιήσεις ασφάλειας για το κλαδευτικό ψαλίδι

▲ ΠΡΟΕΙΔΟΠΟΙΗΣΗ: Διαβάστε όλες τις προειδοποιήσεις για την ασφάλεια και όλες τις οδηγίες. Η μη τήρηση των προειδοποιήσεων και οδηγιών μπορεί να καταλήξει σε ηλεκτροπληξία, πυρκαγιά ή/και σοβαρό τραυματισμό.

Φυλάξτε όλες τις προειδοποιήσεις και τις οδηγίες για μελλοντική παραπομπή.

Στις προειδοποιήσεις, ο όρος «ηλεκτρικό εργαλείο» αναφέρεται σε ηλεκτρικό εργαλείο που τροφοδοτείται από την κύρια παροχή ηλεκτρικού ρεύματος (με ηλεκτρικό καλώδιο) ή σε ηλεκτρικό εργαλείο που τροφοδοτείται από μπαταρία (χωρίς ηλεκτρικό καλώδιο).

- 1. Να χρησιμοποιείτε ατομικό εξοπλισμό προστασίας. Να φοράτε πάντα προστασία ματιών.** Εάν χρησιμοποιείτε το σωστό προστατευτικό εξοπλισμό, όπως προσωπίδα κατά της σκόνης, αντλιοσηθιακά παπούτσια ασφάλειας, κράνος ή προστατευτικό ακοής, ανάλογα με τις συνθήκες, θα μειωθεί ο κίνδυνος πρόκλησης προσωπικών τραυματισμών.
- 2. Να αποφεύγετε την αθέλητη ενεργοποίηση του εργαλείου. Βεβαιωθείτε ότι ο διακόπτης βρίσκεται στην ανενεργή θέση πριν συνδέετε την ηλεκτρική παροχή ή/και μπαταρία, σηκώνετε ή μεταφέρετε το εργαλείο.** Εάν φέρετε ηλεκτρικά εργαλεία με το δάχτυλό σας στο διακόπτη ή εάν ενεργοποιείτε ηλεκτρικά εργαλεία όταν ο διακόπτης είναι στην ενεργή θέση, μπορεί να προκληθούν ατυχήματα.
- 3. Να ντύνεστε κατάλληλα. Μη φοράτε φαρδιά ρούχα ή κοσμήματα. Κρατάτε τα μαλλιά, τα ρούχα και τα γάντια σας μακριά από κινούμενα μέρη.** Υπάρχει κίνδυνος να εμπλακούν τα φαρδιά ρούχα, τα κοσμήματα ή τα μακριά μαλλιά σε κινούμενα μέρη.
- 4. Αυτό το εργαλείο προορίζεται για κλάδεμα κλαδιών.** Μη το χρησιμοποιήσετε για καμιά άλλη εργασία εκτός από αυτή που προορίζεται.
- 5. Μην επιτρέπετε ποτέ σε παιδιά, σε άτομα με μειωμένες σωματικές, αισθητήριες ή διανοητικές ικανότητες ή χωρίς πείρα και γνώσεις ή σε άτομα που δεν γνωρίζουν αυτές τις οδηγίες να χρησιμοποιούν αυτό το εργαλείο.** Μπορεί να υπάρχει περιορισμός ηλικίας για το χειριστή βάσει των τοπικών κανονισμών.
- 6. Μη χειρίζεστε ποτέ το εργαλείο όταν άλλα άτομα, ειδικά παιδιά ή κατοικίδια, βρίσκονται σε κοντινή απόσταση.**

- 7. Μην τεντώνεστε υπερβολικά και να διατηρείτε πάντα την ισορροπία σας.** Να είστε πάντα σίγουροι για το πάτημά σας σε κλίσεις και να περπατάτε, ποτέ να μην τρέχετε.
 - 8. Μην αγγίζετε κινούμενα επικίνδυνα μέρη προτού απουσυνδθεί το εργαλείο από την κεντρική ηλεκτρική παροχή ή/και απομακρυνθεί η κασέτα μπαταρίας από το εργαλείο.**
 - 9. Κατά τη λειτουργία του εργαλείου, να φοράτε πάντα κατάλληλα υποδήματα και μακρύ παντελόνι.**
 - 10. Απουσυνδέστε την ηλεκτρική παροχή ή/και αφαιρέστε την κασέτα μπαταρίας από το εργαλείο:**
 - όταν ο χρήστης αφήνει το εργαλείο κάτω,
 - πριν καθαρίσετε κάποια εμπλοκή,
 - πριν ελέγξετε ή καθαρίσετε το εργαλείο ή πριν εκτελέσετε εργασίες σε αυτό,
 - μετά από την πρόσκρουση σε ξένο αντικείμενο για να ελέγξετε το εργαλείο για ζημιά,
 - αν το εργαλείο αρχίσει να δονείται με ασυνήθιστο τρόπο, προβείτε σε άμεσο έλεγχο.
 - 11. Μη χειρίζεστε ποτέ το εργαλείο με ελαττωματικά προστατευτικά ή καλύμματα, ή χωρίς τις διατάξεις ασφάλειας, ή αν το καλώδιο είναι κατεστραμμένο ή φθαρμένο.**
 - 12. Να αποφεύγετε τη χρήση του εργαλείου σε κακές καιρικές συνθήκες, ιδιαίτερα όταν υπάρχει κίνδυνος για εμφάνιση κεραυνών.**
 - 13. Μη χρησιμοποιείτε το εργαλείο και μη φορτίζετε την μπαταρία στη βροχή.**
 - 14. Μην αφήνετε το εργαλείο στη βροχή ή σε υγρές θέσεις.**
 - 15. Προσέχετε να μην πιάσετε ξένη ύλη μεταξύ των λεπίδων.** Αν οι λεπίδες πιάσουν ξένη ύλη, σβήστε αμέσως το εργαλείο και απουσυνδέστε την μπαταρία από το εργαλείο. Μετά αφαιρέστε την ξένη ύλη από τις λεπίδες.
 - 16. Μην κρατάτε ποτέ το κλάδι που κλαδεύετε με το ελεύθερο σας χέρι.** Κρατήστε το ελεύθερο χέρι σας μακριά από την περιοχή κοπής. Μην αγγίζετε τις λεπίδες, είναι πολύ κοφτερές και μπορεί να κοπείτε.
 - 17. Μη ζορίζετε το εργαλείο να κόψει.** Μπορεί να γλιστρήσετε και να τραυματιστείτε ή να κόψετε κάτι άλλο χωρίς να το θέλετε.
 - 18. Αποφύγετε το κόψιμο ηλεκτρικών καλωδίων που μπορεί να είναι κρυμμένα.**
 - 19. Να ελέγχετε πάντα τις λεπίδες προσεκτικά πριν από τη λειτουργία.**
 - 20. Να χειρίζεστε τις λεπίδες με εξαιρετική προσοχή για να αποφύγετε κοψίματα ή τραυματισμούς από τις λεπίδες.**
 - 21. Απουσυνδέστε την μπαταρία από το εργαλείο μετά από κάθε χρήση και πριν εκτελέσετε επιθεώρηση ή συντήρηση.**
 - 22. Όταν δεν χρησιμοποιείτε το εργαλείο, κρατάτε το μέσα στη θήκη του.**
- Χρήση και φροντίδα μπαταριών**
- 1. Να επαναφορτίσετε τις μπαταρίες μόνο με το φορτιστή που καθορίζεται από τον κατασκευαστή.** Ένας φορτιστής που είναι κατάλληλος για μια συγκεκριμένη μπαταρία μπορεί να δημιουργήσει κίνδυνο πυρκαγιάς όταν χρησιμοποιείται με μια άλλη μπαταρία.

2. Να χρησιμοποιείτε ηλεκτρικά εργαλεία μόνο με ειδικά καθορισμένες μπαταρίες. Η χρήση κάθε άλλης μπαταρίας μπορεί να δημιουργήσει κίνδυνο τραυματισμού ή πυρκαγιάς.
3. Όταν δεν χρησιμοποιείται η κασέτα μπαταριών, διατηρήστε τη μακριά από άλλα μεταλλικά αντικείμενα, όπως συνδετήρες, κέρματα, κλειδιά, καρφιά, βίδες ή άλλα μικρά μεταλλικά αντικείμενα, με τα οποία μπορεί να δημιουργηθεί σύνδεση από τον έναν ακροδέκτη στον άλλον. Το βραχυκύκλωμα των ακροδεκτών της μπαταρίας μπορεί να προκαλέσει εγκαύματα ή πυρκαγιά.
4. Υπό συνθήκες κατάχρησης, μπορεί να εξαχθεί υγρό από την μπαταρία. Να αποφεύγετε την επαφή. Εάν συμβεί επαφή κατά λάθος, εκπλύνετε με νερό. Εάν το υγρό έρθει σε επαφή με τα μάτια, αναζητήστε και ιατρική βοήθεια. Το υγρό που εξάγεται από την μπαταρία μπορεί να προκαλέσει ερεθισμό ή εγκαύματα.

Σέρβις

1. Να φροντίζετε το σέρβις του ηλεκτρικού εργαλείου σας να γίνεται από αρμόδιο επαγγελματία χρησιμοποιώντας μόνο γνήσια ανταλλακτικά. Έτσι θα είστε σίγουροι για τη διατήρηση της ασφάλειας του ηλεκτρικού εργαλείου.
2. Να ακολουθείτε τις οδηγίες για τη λίπανση και την αλλαγή των αξεσουάρ.
3. Να διατηρείτε τις λαβές στεγνές, καθαρές, χωρίς λάδι και γράσο.

▲ ΠΡΟΕΙΔΟΠΟΙΗΣΗ: ΜΗΝ επιτρέψετε στην άνεση ή στην εξοικειωσή σας με το προϊόν (που αποκτήθηκε από επανειλημμένη χρήση) να αντικαταστήσει την αυστηρή τήρηση των κανόνων ασφαλείας του παρατόνος εργαλείου. Η ΛΑΝΘΑΣΜΕΝΗ ΧΡΗΣΗ ή η αμέλεια να ακολουθήσετε τους κανόνες ασφαλείας που διατυπώνονται στο παρόν εγχειρίδιο οδηγιών μπορεί να προκαλέσει σοβαρό προσωπικό τραυματισμό.

Σημαντικές οδηγίες ασφάλειας για κασέτα μπαταριών

1. Πριν χρησιμοποιήσετε την κασέτα μπαταριών, διαβάστε όλες τις οδηγίες και σημειώσεις προφύλαξης (1) στον φορτιστή μπαταρίας, (2) στην μπαταρία και (3) στο προϊόν που χρησιμοποιεί την μπαταρία.
2. Μην αποσυναρμολογήσετε την κασέτα μπαταριών.
3. Εάν ο χρόνος λειτουργίας έχει γίνει υπερβολικά βραχύς, σταματήστε τη λειτουργία αμέσως. Αλλιώς, μπορεί να έχει ως αποτέλεσμα κίνδυνο υπερθέρμανσης, πιθανά εγκαύματα ή ακόμη και έκρηξη.
4. Εάν ηλεκτρολύτης μπει στα μάτια σας, ξεπλύνετε τα με καθαρό νερό και ζητήστε ιατρική φροντίδα αμέσως. Αλλιώς, μπορεί να έχει ως αποτέλεσμα απώλεια της όρασης σας.
5. Μην βραχυκυκλώνετε την κασέτα μπαταριών:
 - (1) Μην αγγίζετε τους πόλους με οτιδήποτε αγώγιμο υλικό.
 - (2) Αποφεύγετε να αποθηκεύετε την κασέτα μπαταριών μέσα σε ένα δοχείο μαζί με άλλα μεταλλικά αντικείμενα όπως καρφιά, νομίσματα, κλπ.

- (3) Μην εκθέτετε την κασέτα μπαταριών στο νερό ή στη βροχή.

Ένα βραχυκύκλωμα μπαταρίας μπορεί να προκαλέσει μεγάλη ροή ρεύματος, υπερθέρμανση, πιθανά εγκαύματα ακόμη και σοβαρή βλάβη.

6. Μην αποθηκεύετε το εργαλείο και την κασέτα μπαταριών σε τοποθεσίες όπου η θερμοκρασία μπορεί να φτάσει ή να ξεπεράσει τους 50°C.
7. Μην καίτε την κασέτα μπαταριών ακόμη και εάν έχει σοβαρή ζημιά ή είναι εντελώς φθαρμένη. Η κασέτα μπαταριών μπορεί να εκραγεί στη φωτιά.
8. Προσέχετε να μη ρίξετε κάτω ούτε να χτυπήσετε την μπαταρία.
9. Μην χρησιμοποιείτε μπαταρία που έχει υποστεί ζημιά.
10. Οι μπαταρίες ιόντων λιθίου που περιέχονται υπόκεινται στις απαιτήσεις της νομοθεσίας για επικίνδυνα αγαθά. Για εμπορικές μεταφορές, για παράδειγμα από τρίτα μέρη, πρέπει να τηρούνται οι διαμεταφορές, οι ειδικές απαιτήσεις στη συσκευασία και η επισήμανση. Για προετοιμασία του στοιχείου που αποστέλλεται, είναι απαραίτητο να συμβουλευτείτε έναν ειδικό για επικίνδυνα υλικά. Επίσης, τηρήστε τους πιθανούς, πιο αναλυτικούς εθνικούς κανονισμούς. Καλύψτε με αυτοκόλλητη ταινία ή κρύψτε τις ανοικτές επαφές και συσκευάστε την μπαταρία με τρόπο που να μην μπορεί να μετακινείται μέσα στη συσκευασία.
11. Τηρήστε τους τοπικούς κανονισμούς που σχετίζονται με τη διάθεση της μπαταρίας.

ΦΥΛΑΞΤΕ ΤΙΣ ΟΔΗΓΙΕΣ ΑΥΤΕΣ.

▲ ΠΡΟΣΟΧΗ: Να χρησιμοποιείτε μόνο γνήσιες μπαταρίες της Makita. Η χρήση μη γνήσιων μπαταριών Makita, ή μπαταριών που έχουν τροποποιηθεί, μπορεί να έχει ως αποτέλεσμα τη ρήξη της μπαταρίας, προκαλώντας πυρκαγιά, προσωπικό τραυματισμό και βλάβη. Επίσης, θα ακρωθεί η εγγύηση της Makita για το εργαλείο και φορτιστή Makita.

Συμβουλές για τη διατήρηση της μέγιστης ζωής μπαταρίας

1. Φορτίζετε την κασέτα μπαταριών πριν από την πλήρη αποφόρτίσή της. Πάντοτε να σταματάτε τη λειτουργία του εργαλείου και να φορτίζετε την κασέτα μπαταριών όταν παρατηρείτε μειωμένη ισχύ εργαλείου.
2. Ποτέ μην επαναφορτίζετε μια πλήρως φορτισμένη κασέτα μπαταριών. Η υπερφόρτιση μειώνει την ωφέλιμη ζωή της μπαταρίας.
3. Να φορτίζετε την κασέτα μπαταριών σε θερμοκρασία δωματίου, δηλαδή στους 10°C έως 40°C. Αφήστε μια θερμή κασέτα μπαταριών να κρυσώσει πριν την φορτίσετε.
4. Να φορτίζετε την κασέτα μπαταριών εάν δεν τη χρησιμοποιείτε για μεγάλη χρονική περίοδο (περισσότερο από έξι μήνες).

Σήμα N

Το σήμα N είναι εμπορικό σήμα ή σήμα κατατεθέν της NFC Formula, Inc. στις ΗΠΑ και σε άλλες χώρες στον κόσμο.

ΠΕΡΙΓΡΑΦΗ ΕΞΑΡΤΗΜΑΤΩΝ

► Εικ.1

1	Εξάρτηση	2	Θήκη πλάτης	3	Κουτί διακοπών	4	Ενδεικτική λυχνία (κόκκινη)
5	Ενδεικτική λυχνία (πράσινη)	6	Διακόπτης I/O	7	Θήκη εργαλείου	8	Υποδοχή καλωδίου
9	Καλώδιο σύνδεσης	10	Ψαλίδι	11	Σκανδάλη διακόπτης	-	-

ΠΕΡΙΓΡΑΦΗ ΛΕΙΤΟΥΡΓΙΑΣ

▲ΠΡΟΣΟΧΗ: Να φροντίζετε πάντα για την απενεργοποίηση του εργαλείου και την αφαίρεση της κασέτας μπαταρίας, πριν από οποιαδήποτε ρύθμιση ή έλεγχο της λειτουργίας του.

Τοποθέτηση ή αφαίρεση της κασέτας μπαταριών

▲ΠΡΟΣΟΧΗ: Να σβήνετε πάντα το εργαλείο πριν τοποθετήσετε ή αφαιρέσετε την κασέτα μπαταριών.

▲ΠΡΟΣΟΧΗ: Κρατήστε το εργαλείο και την κασέτα μπαταριών σταθερά κατά την τοποθέτηση ή αφαίρεση της κασέτας μπαταριών. Εάν δεν κρατάτε το εργαλείο και την κασέτα μπαταριών σταθερά μπορεί να γλιστρήσουν από τα χέρια σας και να προκληθεί βλάβη στο εργαλείο και την κασέτα μπαταριών και προσωπικός τραυματισμός.

► Εικ.2: 1. Κόκκινη ένδειξη 2. Κουμπί 3. Κασέτα μπαταριών 4. Υποδοχέας μπαταριών

Για να αφαιρέσετε την κασέτα μπαταριών, ολισθήστε την από το εργαλείο ενώ σύρετε το κουμπί στο μπροστινό μέρος της κασέτας.

Για να τοποθετήσετε την κασέτα μπαταριών, ευθυγραμμίστε τη γλώσσα στην κασέτα μπαταριών με την αύλακα στην υποδοχή και ολισθήστε τη στη θέση της. Να την τοποθετείτε πλήρως μέχρι να ασφαλίσει στη θέση της, γεγονός που υποδεικνύεται με ένα χαρακτηριστικό ήχο. Εάν μπορείτε να δείτε την κόκκινη ένδειξη στην επάνω πλευρά του κουμπιού, δεν έχει κλειδώσει τελείως.

▲ΠΡΟΣΟΧΗ: Να τοποθετείτε πάντα την κασέτα μπαταριών πλήρως μέχρι να μη βλέπετε την κόκκινη ένδειξη. Εάν δεν ασφαλιστεί, μπορεί να πέσει από το εργαλείο τυχαία, προκαλώντας σωματική βλάβη σε σας ή κάποιον άλλο γύρω σας.

▲ΠΡΟΣΟΧΗ: Μην τοποθετείτε την κασέτα μπαταριών με βία. Εάν η κασέτα δεν ολισθαίνει με ευκολία, τότε δεν έχει τοποθετηθεί κατάλληλα.

ΠΑΡΑΤΗΡΗΣΗ: Το εργαλείο δεν λειτουργεί με μόνο μία κασέτα μπαταριών.

Σύστημα προστασίας εργαλείου/ μπαταρίας

Το εργαλείο είναι εξοπλισμένο με σύστημα προστασίας εργαλείου/μπαταρίας. Αυτό το σύστημα αποκόπτει αυτόματα την ισχύ προς το μοτέρ για να παραταθεί η διάρκεια λειτουργίας του εργαλείου και της μπαταρίας. Το εργαλείο σταματάει αυτόματα κατά τη διάρκεια της λειτουργίας αν το εργαλείο ή η μπαταρία βρεθούν κάτω από τις παρακάτω συνθήκες. Σε μερικές περιπτώσεις, ανάβουν οι λυχνίες στο κουτί διακοπών.

Προστασία υπερφόρτωσης

Όταν το εργαλείο λειτουργεί με τρόπο ώστε να αναγκάζεται να καταναλώνει ασυνήθιστα υψηλό ρεύμα, το εργαλείο σταματάει αυτόματα χωρίς καμία ένδειξη. Σε αυτή την κατάσταση, σβήστε το εργαλείο και διακόψτε την εφαρμογή που προκαλεί την υπερφόρτωση του εργαλείου. Μετά, ενεργοποιήστε το εργαλείο για επανεκκίνηση.

Προστασία υπερθέρμανσης

Όταν το εργαλείο υπερθερμανθεί, η λειτουργία του σταματάει αυτόματα και η πράσινη λυχνία στο κουτί διακοπών αναβοσβήνει. Σε αυτή την κατάσταση, αφήστε να μειωθεί η θερμοκρασία του εργαλείου πριν ενεργοποιήσετε ξανά το εργαλείο.

Προστασία υπερβολικής απόφορτισης

Όταν μειωθεί η χωρητικότητα των μπαταριών, το εργαλείο σταματάει αυτόματα. Επίσης, η κόκκινη λυχνία στο κουτί διακοπών ανάβει ή αναβοσβήνει. Αν το προϊόν δεν τίθεται σε λειτουργία ακόμα και όταν πραγματοποιεί-ται χειρισμός των διακοπών, βγάλτε τις μπαταρίες από τον υποδοχέα μπαταριών και φορτίστε τις.

Εμφάνιση υπολειπόμενης χωρητικότητας μπαταρίας

Μόνο για κασέτες μπαταριών «B» στο τέλος του αριθμού μοντέλου

► **Εικ.3:** 1. Ενδεικτικές λυχνίες 2. Κουμπί ελέγχου

Πίστετε το κουμπί ελέγχου στην κασέτα μπαταριών για να υποδείξετε την υπολειπόμενη χωρητικότητα μπαταρίας. Οι ενδεικτικές λυχνίες ανάβουν για λίγα δευτερόλεπτα.

Ενδεικτικές λυχνίες			Υπολειπόμενη χωρητικότητα
■ Αναμμένες	□ Σβηστές	▧ Αναβοσβήνουν	
■ ■ ■ ■			75% έως 100%
■ ■ ■ □			50% έως 75%
■ ■ □ □			25% έως 50%
■ □ □ □			0% έως 25%
▧ □ □ □			Φορτίστε την μπαταρία.
■ ■ □ □ ↑ ↓ □ □ ■ ■			Μπορεί να προέκυψε δυσλειτουργία στην μπαταρία.

ΠΑΡΑΤΗΡΗΣΗ: Ανάλογα με τις συνθήκες χρήσης και τη θερμοκρασία περιβάλλοντος, η ένδειξη μπορεί να διαφέρει λίγο από την πραγματική χωρητικότητα.

Δράση διακόπτη

▲ ΠΡΟΣΟΧΗ: Προτού συνδέσετε την μπαταρία στο ψαλίδι, να ελέγχετε πάντα ότι η σκανδάλη διακόπτης λειτουργεί κανονικά και επιστρέφει στη θέση «OFF» (ανενεργή) όταν απελευθερώνεται.

▲ ΠΡΟΣΟΧΗ: Όταν δεν χρησιμοποιείτε το εργαλείο, να βεβαιώνετε πάντα ότι ο διακόπτης I/O βρίσκεται στη θέση «O».

▲ ΠΡΟΣΟΧΗ: Πατήστε τον διακόπτη I/O στη θέση «I» (ενεργή) ενώ πατάτε τη σκανδάλη διακόπτη. Η λεπίδα κλείνει λίγο και μπορεί να προκαλέσει προσωπικό τραυματισμό.

Για να ενεργοποιήσετε το εργαλείο, πραγματοποιήστε τα εξής:

1. Συνδέστε το κουτί διακοπών, το καλώδιο σύνδεσης και το ψαλίδι. (Ανατρέξτε στην παράγραφο «Τοποθέτηση του καλωδίου σύνδεσης»).
2. Κρατήστε καλά το ψαλίδι και πατήστε τον διακόπτη I/O στη θέση «I» (ενεργή). Ανάβει η πράσινη ενδεικτική λυχνία.
► **Εικ.4:** 1. Διακόπτης I/O 2. Ενδεικτική λυχνία (πράσινη) 3. Ενδεικτική λυχνία (κόκκινη)
3. Οι λεπίδες του ψαλιδιού είναι ασφαλισμένες όταν ο διακόπτης I/O βρίσκεται στην ενεργή θέση. Για να ελευθερώσετε την ασφάλιση, τραβήξτε τη σκανδάλη διακόπτη δύο φορές. Η άνω λεπίδα ψαλιδιού ανοίγει αυτόματα.
4. Για να κλείσετε τη λεπίδα ψαλιδιού, τραβήξτε τη σκανδάλη διακόπτη.
► **Εικ.5:** 1. Σκανδάλη διακόπτης

Μετάβαση σε λειτουργία αυτόματης ασφάλισης και λειτουργία απενεργοποίησης

Για λόγους ασφάλειας, το εργαλείο μεταβαίνει σε λειτουργία ασφάλισης ή λειτουργία απενεργοποίησης αυτόματα αν δεν το χρησιμοποιήσετε για ορισμένη χρονική περίοδο.

Μετά από 5 λεπτά: Το εργαλείο μεταβαίνει σε λειτουργία ασφάλισης. Πατήστε τη σκανδάλη διακόπτη δύο φορές για να ελευθερώσετε την ασφάλιση.

Μετά από 15 λεπτά: Το εργαλείο μεταβαίνει σε λειτουργία απενεργοποίησης και η πράσινη ενδεικτική λυχνία σβήνει. Πατήστε το διακόπτη I/O στη θέση «O» (ανενεργή) μία φορά και πατήστε το διακόπτη I/O στη θέση «I» (ενεργή) ξανά, και μετά πατήστε τη σκανδάλη διακόπτη δύο φορές για να ελευθερώσετε την ασφάλιση.

Μοχλός επιλογής γωνίας ανοίγματος

► **Εικ.6:** 1. Μοχλός επιλογής γωνίας ανοίγματος

Γέρνοντας το μοχλό επιλογής γωνίας ανοίγματος προς την αριστερή πλευρά, μπορείτε να ανοίξετε την άνω λεπίδα ψαλιδιού περισσότερο.

Για να περιορίσετε τη γωνία ανοίγματος της άνω λεπίδας ψαλιδιού, πατήστε πρώτα τη σκανδάλη διακόπτη πλήρως και μετά επιστρέψτε το μοχλό επιλογής γωνίας ανοίγματος στην ευθεία θέση.

Ρύθμιση του βάθους κοπής

▲ ΠΡΟΣΟΧΗ: Τα χέρια ή οποιοδήποτε μέρος του σώματός σας δεν πρέπει να βρίσκεται κοντά στις λεπίδες ψαλιδιού. Διαφορετικά, μπορεί να προκύψει προσωπικός τραυματισμός.

Μετά το ακόνισμα ή την αντικατάσταση της λεπίδας ψαλιδιού, ρυθμίστε το βάθος κοπής εάν απαιτείται.

Ενεργοποιήστε το εργαλείο και πατήστε τη σκανδάλη διακόπτη δύο φορές για να ανοίξετε τις λεπίδες ψαλιδιού και μετά πατήστε το διακόπτη I/O στη θέση «O» (ανενεργή).

Για μεγαλύτερο βάθος κοπής, γυρίστε δεξιόστροφα τη βίδα ρύθμισης βάθους κοπής με ένα εξαγωνικό κλειδί. Για να γίνει το βάθος κοπής μικρότερο, γυρίστε αριερόστροφα τη βίδα ρύθμισης βάθους κοπής.

► **Εικ.7:** 1. Βίδα ρύθμισης του βάθους κοπής

ΠΑΡΑΤΗΡΗΣΗ: Ελέγξτε το βάθος κοπής μετά τη ρύθμιση. Αν το βάθος κοπής είναι πολύ μικρό, το κλαδί μπορεί να μην κοπεί εντελώς.

Ενδεικτικές λυχνίες στο κουτί διακοπών

► **Εικ.8:** 1. Διακόπτης I/O 2. Ενδεικτική λυχνία (πράσινη) 3. Ενδεικτική λυχνία (κόκκινη)

Οι πράσινες και κόκκινες λυχνίες υποδεικνύουν τα εξής: (Αναμμένες: ● Σβηστές: ○ Αναβοσβήνουν: ✨)

- Πράσινη λυχνία ανάβει: το εργαλείο είναι ενεργοποιημένο.

Πράσινη	Κόκκινη
●	○

- Πράσινη λυχνία και κόκκινη λυχνία αναμμένες: αν εισαγάγετε την μπαταρία στη θήκη μπαταρίας όταν ο διακόπτης I/O βρίσκεται στη θέση «I» (ενεργή), και οι δύο λυχνίες ανάβουν και η λάμα δεν κινείται παρότι τραβάτε τη σκανδάλη διακόπτη. Σε αυτή την κατάσταση, πατήστε το διακόπτη I/O στη θέση «O» (ανενεργή) μία φορά και πατήστε το διακόπτη I/O στη θέση «I» (ενεργή) ξανά.

Πράσινη	Κόκκινη
●	●

- Πράσινη λυχνία αναβοσβήνει: το εργαλείο υπερθερμαίνεται. Αφήστε να μειωθεί η θερμοκρασία του εργαλείου πριν ενεργοποιηθεί ξανά το εργαλείο.

Πράσινη	Κόκκινη
✨	○

- Πράσινη λυχνία ανάβει και κόκκινη λυχνία αναβοσβήνει ή ανάβει: το επίπεδο μπαταρίας είναι χαμηλό ή σχεδόν εξαντλημένο. Φορτίστε τις μπαταρίες. Όταν το επίπεδο οποιασδήποτε μπαταρίας είναι χαμηλό, η κόκκινη λυχνία αναβοσβήνει ακόμη και αν μία από τις μπαταρίες είναι γεμάτη.

Πράσινη	Κόκκινη
●	✨ / ●

- Πράσινη λυχνία και κόκκινη λυχνία αναβοσβήνουν εναλλάξ: το εργαλείο ανιχνεύει σπάσιμο σύρματος. Ελέγξτε αν το καλώδιο σύνδεσης έχει κάποια χαλαρή σύνδεση με το κουτί διακοπών και το ψαλίδι. Αν οι λυχνίες ακόμη αναβοσβήνουν εναλλάξ, σταματήστε να χρησιμοποιείτε το εργαλείο αμέσως, αποσυνδέστε το καλώδιο σύνδεσης, αφαιρέστε την μπαταρία και ζητήστε επισκευή από το τοπικό σας εξουσιοδοτημένο κέντρο σέρβις.

⚠	Οι λυχνίες αναβοσβήνουν εναλλάξ
	○ ● ↔ ● ○

ΣΥΝΑΡΜΟΛΟΓΗΣΗ

▲ΠΡΟΣΟΧΗ: Να βεβαιώνετε πάντα ότι το εργαλείο είναι σβηστό και η κασέτα μπαταρίας έχει αφαιρεθεί πριν εκτελέσετε κάποια εργασία στο εργαλείο.

Τοποθέτηση του υποδοχέα μπαταριών στη θήκη πλάτης

► **Εικ.9:** 1. Πόρπη 2. Υποδοχέας μπαταριών 3. Ιμάντας

1. Περάστε το κουτί διακοπών μέσα από το άνοιγμα (δεξιά ή αριστερά) της θήκης πλάτης.
2. Περάστε τον ιμάντα μέσα από την τετράγωνη οπή του υποδοχέα μπαταριών και ασφαλίστε τον υποδοχέα μπαταριών με τον ιμάντα. Βεβαιωθείτε ότι ο υποδοχέας μπαταριών ακουμπά καλά μέσα στη θήκη πλάτης.

Τοποθέτηση της θήκης εργαλείου

► **Εικ.10:** 1. Θήκη εργαλείου 2. Ιμάντας

Περάστε τον ιμάντα της κάτω πόρπης μέσα από το άνοιγμα της θήκης εργαλείου.

Ρύθμιση της εξάρτυσης

Ρυθμίστε την εξάρτυση ως εξής:

1. Κλείστε και ασφαλίστε την κάτω πόρπη και ρυθμίστε το μήκος ιμάντα.

► **Εικ.11:** 1. Κάτω πόρπη

2. Ρυθμίστε το μήκος του ιμάντα ώμου.

► **Εικ.12**

3. Ρυθμίστε τη θέση της άνω πόρπης. Κλείστε και ασφαλίστε την άνω πόρπη και ρυθμίστε το μήκος ιμάντα.

► **Εικ.13:** 1. Άνω πόρπη

▲ΠΡΟΣΟΧΗ: Σε περίπτωση έκτακτης ανάγκης, ανοίξτε γρήγορα την κάτω πόρπη και την άνω πόρπη, χαλαρώστε τους ιμάντες ώμου και αφήστε κάτω τη θήκη πλάτης.

Τοποθέτηση του καλωδίου σύνδεσης

▲ΠΡΟΣΟΧΗ: Να βεβαιώνετε πάντα ότι ο διακόπτης I/O του κουτιού διακοπών βρίσκεται στη θέση «O» (ανενεργή) πριν συνδέσετε το καλώδιο σύνδεσης.

▲ΠΡΟΣΟΧΗ: Μη θέσετε το εργαλείο σε λειτουργία αν το καλώδιο σύνδεσης είναι κατεστραμμένο.

ΕΙΔΟΠΟΙΗΣΗ: Μην κακομεταχειρίζεστε το καλώδιο σύνδεσης. Μη μεταφέρετε το εργαλείο τραβώντας το από το καλώδιο σύνδεσης. Να διατηρείτε το καλώδιο σύνδεσης μακριά από τη θερμότητα, λάδια και αιχμηρά αντικείμενα. Διαφορετικά, το καλώδιο σύνδεσης μπορεί να υποστεί βλάβη.

Συνδέστε το καλώδιο σύνδεσης με το κουτί διακοπών και το ψαλίδι ως εξής:

1. Πρώτα, ευθυγραμμίστε τα τριγωνικά σημάδια του αρσενικού βύσματος του καλωδίου σύνδεσης με το τριγωνικό σημάδι του θηλυκού συνδετήρα του κουτιού διακοπών. Σπρώξτε προς τα μέσα το βύσμα του καλωδίου σύνδεσης στο συνδετήρα του κουτιού διακοπών. Μετά, ευθυγραμμίστε το σημάδι στη σύζευξη με τα τριγωνικά σημάδια και σπρώξτε προς τα μέσα και περιστρέψτε τη σύζευξη για να τη σφίξετε.

► **Εικ.14:** 1. Τριγωνικό σημάδι 2. Καλώδιο σύνδεσης 3. Κουτί διακοπών 4. Σημάδι στη σύζευξη 5. Σύζευξη

ΕΙΔΟΠΟΙΗΣΗ: Γυρίστε τη σύζευξη και ευθυγραμμίστε πρώτα το σημάδι στη σύζευξη με τα τριγωνικά σημάδια όταν αποσυνδέετε το καλώδιο σύνδεσης.

2. Κρεμάστε το κουτί διακοπών στη ζώνη κορμού ή στην άνω ζώνη.

► **Εικ.15**

3. Σπρώξτε το καλώδιο σύνδεσης στο βρόχο της υποδοχής καλωδίου.

► **Εικ.16**

Κρεμάστε την υποδοχή καλωδίου είτε στην άνω ζώνη ή στη ζώνη κορμού στην οποία δεν έχει κρεμαστεί το κουτί διακοπών.

Η υποδοχή καλωδίου εμποδίζει το καλώδιο σύνδεσης από το να κρεμείται ελεύθερα γύρω από το σώμα σας και επίσης η υποδοχή καλωδίου μπορεί να εμποδίσει την κοπή του καλωδίου σύνδεσης κατά λάθος.

► **Εικ.17**

► **Εικ.18**

ΕΙΔΟΠΟΙΗΣΗ: Μην κρεμάσετε οτιδήποτε εκτός από το καλώδιο σύνδεσης στην υποδοχή καλωδίου. Διαφορετικά, η υποδοχή καλωδίου μπορεί να σπασίσει.

ΕΙΔΟΠΟΙΗΣΗ: Μην εξαναγκάζετε το άνοιγμα της υποδοχής καλωδίου. Διαφορετικά, μπορεί να έχει ως αποτέλεσμα την παραμόρφωση ή το σπάσιμο της υποδοχής καλωδίου.

4. Τοποθετήστε τον ιμάντα βραχίονα στο βραχίονα σας. Επίσης, περάστε το καλώδιο σύνδεσης μέσα από τον ιμάντα βραχίονα.

► **Εικ.19:** 1. Ιμάντας βραχίονα

5. Πρώτα, ευθυγραμμίστε τα τριγωνικά σημάδια της θηλυκής υποδοχής του καλωδίου σύνδεσης με το τριγωνικό σημάδι του αρσενικού συνδετήρα του ψαλιδιού. Σπρώξτε προς τα μέσα την υποδοχή του καλωδίου σύνδεσης στο συνδετήρα του ψαλιδιού. Μετά, ευθυγραμμίστε το σημάδι στη σύζευξη με τα τριγωνικά σημάδια και σπρώξτε προς τα μέσα και περιστρέψτε τη σύζευξη για να τη σφίξετε.

► **Εικ.20:** 1. Τριγωνικό σημάδι 2. Καλώδιο σύνδεσης 3. Ψαλίδι 4. Σημάδι στη σύζευξη 5. Σύζευξη

ΕΙΔΟΠΟΙΗΣΗ: Γυρίστε τη σύζευξη και ευθυγραμμίστε πρώτα το σημάδι στη σύζευξη με τα τριγωνικά σημάδια όταν αποσυνδέετε το καλώδιο σύνδεσης.

Τοποθέτηση ψαλιδιού στη θήκη εργαλείου

Συνεχίστε να πατάτε τη σκανδάλη διακόπτη για να κλείσετε τις λεπίδες ψαλιδιού και πατήστε το διακόπτη I/O στη θέση «Ο» (ανενεργή) για να απενεργοποιήσετε το εργαλείο. Μετά, τοποθετήστε το ψαλιδιού στη θήκη εργαλείου και κρατήστε το ψαλίδι με τον ιμάντα στη θήκη εργαλείου.

ΛΕΙΤΟΥΡΓΙΑ

▲ ΠΡΟΣΟΧΗ: Να κρατάτε πάντα το εργαλείο σταθερά. Επίσης, να διατηρείτε σταθερό πάτημα.

▲ ΠΡΟΣΟΧΗ: Μην τοποθετείτε κανένα από τα μέρη του σώματός σας κοντά στις λεπίδες κατά τη διάρκεια της λειτουργίας.

▲ ΠΡΟΣΟΧΗ: Πριν από τη χρήση, επιθεωρήστε αν οι λεπίδες, τα μπουλόνια λεπίδων ή άλλα μέρη είναι φθαρμένα ή κατεστραμμένα. Αντικαταστήστε τα φθαρμένα ή κατεστραμμένα μέρη για ασφαλή λειτουργία.

ΕΙΔΟΠΟΙΗΣΗ: Αν η λεπίδα έχει κολλήσει σε κλαδί κατά τη διάρκεια της λειτουργίας, μη συστρέψετε τη λεπίδα. Σε αυτή την περίπτωση, απενεργοποιήστε το εργαλείο και τραβήξτε τις λεπίδες ευθεία προς τα έξω από το κλαδί αργά. Διαφορετικά, η λεπίδα μπορεί να υποστεί βλάβη.

ΕΙΔΟΠΟΙΗΣΗ: Στην περίπτωση που κόψετε ένα πολύ παχύ κλαδί ή κάτι πολύ σκληρό, τίθεται σε λειτουργία η προστασία υπερφόρτωσης και το εργαλείο σταματάει. Σε αυτή την κατάσταση, αν η άνω λεπίδα ψαλιδιού ανοίξει πάρα πολύ και πατήσετε τη σκανδάλη διακόπτη πλήρως, η άνω λεπίδα κλείνει λίγο όταν πατήσετε το διακόπτη I/O στη θέση «I» (ενεργή) για νέα εκκίνηση της λειτουργίας του εργαλείου.

Λειτουργία κλαδέματος

► **Εικ.21**

Κόψτε τα κλαδιά ένα-ένα. Το μέγιστο πάχος κλαδιών που μπορεί να κοπεί με αυτό το ψαλίδι είναι περίπου 33mm. Να στέκεστε πάντα σταθερά και ισοροπημένα.

Μετά από τη χρήση

Κλείστε τις λεπίδες ψαλιδιού, πατήστε το διακόπτη I/O στη θέση «Ο» (ανενεργή) και αποσυνδέστε το καλώδιο σύνδεσης από το ψαλίδι και το κουτί διακοπών και αφαιρέστε τις μπαταρίες από τον υποδοχέα μπαταριών. Αποθηκεύστε το ψαλίδι σε ένα ξερό, ψηλό ή κλειδωμένο μέρος – σε μέρος που δεν μπορούν να το φθάσουν παιδιά.

ΕΙΔΟΠΟΙΗΣΗ: Αφαιρέστε την μπαταρία όταν δεν χρησιμοποιείτε το ψαλίδι. Διαφορετικά, η χωρητικότητα μπαταρίας μειώνεται με την πάροδο του χρόνου.

ΣΥΝΤΗΡΗΣΗ

▲ ΠΡΟΣΟΧΗ: Πριν την εκτέλεση εργασιών επιθεώρησης ή συντήρησης, πάντοτε να βεβαιώνετε ότι η συσκευή απενεργοποιήθηκε και η κασέτα μπαταριών έχει αφαιρεθεί.

▲ ΠΡΟΣΟΧΗ: Να φοράτε προστατευτικά γάντια κατά το χειρισμό της λεπίδας. Διαφορετικά, μπορεί να προκληθεί προσωπικός τραυματισμός.

ΕΙΔΟΠΟΙΗΣΗ: Μην χρησιμοποιείτε ποτέ βενζίνη, πετρελαϊκό αιθέρα, διαλυτικό, αλκοόλη ή παρόμοιες ουσίες. Μπορεί να προκληθεί αποχρωματισμός, παραμόρφωση ή ρωγμές.

Συντήρηση λεπίδων

ΕΙΔΟΠΟΙΗΣΗ: Αν δεν συντηρήσετε τη λεπίδα κατάλληλα, μπορεί να έχει ως αποτέλεσμα υπερβολική τριβή και μείωση του χρόνου λειτουργίας ανά φόρτιση της μπαταρίας.

Προτού και μετά τη λειτουργία, να ελέγχετε προσεκτικά τις λεπίδες ψαλιδιού.
Μετά τη λειτουργία, καθαρίστε τις λεπίδες με μια σκληρή βούρτσα. Μετά, σκουπίστε τις λεπίδες με ένα πανί. Και εφαρμόστε γνήσιο λάδι για μηχανές Makita στο άκρο της λεπίδας και στο κινούμενο μέρος.

► **Εικ.22**

Τρόχισμα των λεπίδων

Άνω λεπίδα ψαλιδιού

1. Εφαρμόστε την επίπεδη επιφάνεια της διαμαντένιας λίμας στο άκρο της λεπίδας.

Πιέστε τη διαμαντένια λίμα προς τη μύτη της λεπίδας για να τροχίσετε κατά μήκος ολόκληρη την ακμή της λεπίδας.

Διατηρήστε την ίδια επίπεδη επαφή με τη λίμα σταθερά κατά μήκος ολόκληρου του άκρου της λεπίδας.

► **Εικ.23:** 1. Διαμαντένια λίμα

2. Εφαρμόστε την επίπεδη επιφάνεια της διαμαντένιας λίμας ελαφρώς στην αντίθετη πλευρά της λεπίδας. Κινήστε τη διαμαντένια λίμα ελαφρώς προς την κατεύθυνση του άκρου της λεπίδας για να απομακρύνετε τα γρέζια.

► **Εικ.24**

ΕΙΔΟΠΟΙΗΣΗ: Μην τροχίσετε αυτή την πλευρά πάρα πολύ. Λιμάρετε ελαφρά με σκοπό μόνο την απομάκρυνση των γρεζιών. Διαφορετικά, το διάκενο λεπίδων μπορεί να γίνει πολύ μεγάλο ή η διάρκεια λειτουργίας των λεπίδων μπορεί να συντομευτεί.

Κάτω λεπίδα ψαλιδιού

1. Εφαρμόστε τη στρογγυλή επιφάνεια της διαμαντένιας λίμας στο άκρο της λεπίδας.

Πιέστε τη διαμαντένια λίμα προς τη μύτη της λεπίδας για να τροχίσετε κατά μήκος ολόκληρη την ακμή της λεπίδας.

► **Εικ.25**

2. Εφαρμόστε την επίπεδη επιφάνεια της διαμαντένιας λίμας ελαφρώς στην αντίθετη πλευρά της λεπίδας. Κινήστε τη διαμαντένια λίμα ελαφρώς προς την κατεύθυνση του άκρου της λεπίδας για να απομακρύνετε τα γρέζια.

► **Εικ.26**

ΕΙΔΟΠΟΙΗΣΗ: Μην τροχίσετε αυτή την πλευρά πάρα πολύ. Λιμάρετε ελαφρά με σκοπό μόνο την απομάκρυνση των γρεζιών. Διαφορετικά, το διάκενο λεπίδων μπορεί να γίνει πολύ μεγάλο ή η διάρκεια λειτουργίας των λεπίδων μπορεί να συντομευτεί.

Ρύθμιση για το διάκενο λεπίδων

► **Εικ.27:** 1. Μπουλόνι στερέωσης πλάκας 2. Πλάκα ασφάλισης 3. Παξιμάδι σύσφιξης λεπίδων

Περιστασιακά, ρυθμίστε το διάκενο των λεπίδων ψαλιδιού ως εξής:

1. Ενεργοποιήστε το εργαλείο και πατήστε τη σκανδάλη διακόπτη για να ανοίξετε τις λεπίδες ψαλιδιού.
2. Με τις λεπίδες ψαλιδιού ανοικτές, απενεργοποιήστε το εργαλείο. Μετά, αποσυνδέστε το καλώδιο σύνδεσης από το εργαλείο.
3. Χαλαρώστε το μπουλόνι στερέωσης πλάκας. Μετά, αφαιρέστε την πλάκα ασφάλισης.
4. Ρυθμίστε το σφίξιμο του παξιμαδιού σύσφιξης λεπίδων με το χέρι (ροπή σύσφιξης για το παξιμάδι σύσφιξης λεπίδων: περίπου 0,5 N·m).
5. Τοποθετήστε ξανά την πλάκα ασφάλισης και το μπουλόνι στερέωσης πλάκας.
6. Ελέγξτε το σφίξιμο της λεπίδας, δηλαδή να μην δονούνται οι λεπίδες αλλά να μπορείτε να ανοίγετε ή να κλείνετε την άνω λεπίδα περίπου 3 mm με το χέρι. Αν οι λεπίδες είναι πολύ σφικτές ή χαλαρές, ρυθμίστε ξανά το διάκενο.

ΕΙΔΟΠΟΙΗΣΗ: Προσέχετε το διάκενο λεπίδων. Το πολύ μεγάλο διάκενο μπορεί να έχει ως αποτέλεσμα αμβλεία κοπή και ένα πολύ μικρό διάκενο λεπίδων μπορεί να έχει ως αποτέλεσμα υπερφόρτωση του μοτέρ και σύντομο χρόνο λειτουργίας του εργαλείου.

Αφαίρεση ή τοποθέτηση των λεπίδων ψαλιδιού

Για να αφαιρέσετε τις λεπίδες ψαλιδιού, εκτελέστε τα ακόλουθα βήματα:

1. Γείρετε πρώτα το μοχλό επιλογής γωνίας ανοίγματος προς την αριστερή πλευρά, για να ανοίξετε πλήρως τις λεπίδες.
2. Ενεργοποιήστε το εργαλείο και πατήστε τη σκανδάλη διακόπτη για να ανοίξετε τις λεπίδες ψαλιδιού.
3. Με τις λεπίδες ψαλιδιού ανοικτές, απενεργοποιήστε το εργαλείο. Μετά, αποσυνδέστε το καλώδιο σύνδεσης από το εργαλείο.
- **Εικ.28**
4. Αφαιρέστε τα δύο μπουλόνια κοντά στη σκανδάλη διακόπτη με το εξαγωνικό κλειδί.

Αφαιρέστε το προστατευτικό σκανδάλης διαχωρίζοντας τη γλωττίδα στο προστατευτικό σκανδάλης από την εγκοπή του περιβλήματος.

► **Εικ.29:** 1. Μπουλόνια 2. Προστατευτικό σκανδάλης

5. Αφαιρέστε τον ημιδακτύλιο στο βραχίονα σύνδεσης με ένα καταβίδι με επίπεδη μύτη ή παρόμοιο εργαλείο.

► **Εικ.30:** 1. Ημιδακτύλιος 2. Βραχίονας σύνδεσης

ΕΙΔΟΠΟΙΗΣΗ: Ο ημιδακτύλιος είναι αναλώσιμος. Μην επαναχρησιμοποιήσετε τον ημιδακτύλιο κατά την επανασυναρμολόγηση.

6. Αφαιρέστε προσεκτικά τον πείρο.

► **Εικ.31:** 1. Πείρος

7. Αφαιρέστε τα δύο μπουλόνια από το πλάι του περιβλήματος.

► **Εικ.32:** 1. Μπουλόνια

8. Αφαιρέστε προσεκτικά το άνω και κάτω ψαλίδι από το περίβλημα.

► **Εικ.33**

9. Για να διαχωρίσετε την άνω λεπίδα και την κάτω λεπίδα, χαλαρώστε πρώτα το μπουλόνι στερέωσης πλάκας. Μετά, αφαιρέστε την πλάκα ασφάλισης.

► **Εικ.34:** 1. Μπουλόνι στερέωσης πλάκας 2. Πλάκα ασφάλισης

10. Χαλαρώστε και αφαιρέστε το παξιμάδι σύσφιξης λεπίδων.

► **Εικ.35:** 1. Παξιμάδι σύσφιξης λεπίδων 2. Μπουλόνι σύσφιξης λεπίδων

Για να εγκαταστήσετε τις λεπίδες ψαλιδιού, ακολουθήστε τις διαδικασίες που περιγράφονται ανωτέρω με αντίστροφη σειρά. Βεβαιωθείτε ότι τα μπουλόνια είναι καλά σφιγμένα.

Μετά την τοποθέτηση της λεπίδας, να ρυθμίζετε πάντα το διάκενο λεπίδων. (Ανατρέξτε στην παράγραφο «Ρύθμιση για το διάκενο λεπίδων»).

Για να εγκαταστήσετε τις λεπίδες ψαλιδιού, ακολουθήστε τις διαδικασίες που περιγράφονται ανωτέρω με αντίστροφη σειρά. Κατά την τοποθέτηση των λεπίδων ψαλιδιού, προσέξτε τα ακόλουθα σημεία:

- Εφαρμόστε λάδι ή γράσο μηχανής στο μπουλόνι σύσφιξης λεπίδας και μεταξύ των λεπίδων.
- Αν δεν μπορείτε να τοποθετήσετε σωστά το μπουλόνι στερέωσης πλάκας, αφαιρέστε πρώτα το στρογγυλό δακτύλιο και το μπουλόνι στερέωσης πλάκας από την πλάκα ασφάλισης. Μετά, αναποδογυρίστε την πλάκα ασφάλισης και επιστρέψτε το στρογγυλό δακτύλιο και το μπουλόνι στερέωσης πλάκας.
- Όταν τοποθετείτε το προστατευτικό σκανδάλης, ευθυγραμμίστε τη γλωττίδα του προστατευτικού σκανδάλης με την εγκοπή του περιβλήματος.

► **Εικ.36**

- Βεβαιωθείτε ότι τα μπουλόνια είναι καλά σφιγμένα.
- Μετά την τοποθέτηση της λεπίδας, να ρυθμίζετε πάντα το διάκενο λεπίδων. (Ανατρέξτε στην παράγραφο «Ρύθμιση για το διάκενο λεπίδων»).
- Μετά την τοποθέτηση της λεπίδας, να ρυθμίζετε πάντα το βάθος κοπής. (Ανατρέξτε στην παράγραφο «Ρύθμιση του βάθους κοπής»).

Αντιμετώπιση προβλημάτων

Πριν ζητήσετε βοήθεια για επισκευές, ελέγξτε το πρόβλημα μόνοι σας. Αν βρεθεί κάποιον πρόβλημα, χειριστείτε το εργαλείο σας σύμφωνα με τα όσα περιγράφονται σε αυτό το εγχειρίδιο. Αν η αποκατάσταση που αναφέρεται παρακάτω δεν μπορεί να διορθώσει το πρόβλημα, ζητήστε επισκευή από το τοπικό κέντρο εξουσιοδοτημένο κέντρο σέρβις. Μην προσπαθήσετε ποτέ να παραβιάσετε ή να αποσυναρμολογήσετε οποιοδήποτε εξάρτημα ενάντια σε όσα περιγράφονται.

Κατάσταση προβλήματος	Πιθανή αιτία (δυσλειτουργία)	Αποκατάσταση
Η λεπίδα ψαλιδιού δεν μετακινείται ακόμη και αφού πατήσετε τη σκανδάλη διακόπτη.	Το επίπεδο μπαταρίας είναι χαμηλό.	Φορτίστε την μπαταρία.
	Ο διακόπτης I/O βρίσκεται στη θέση «ανεργή».	Πατήστε το διακόπτη I/O στη θέση «I» (ενεργή).
	Το ψαλίδι είναι ασφαλισμένο.	Απασφαλίστε το ψαλίδι εκτελώντας τα βήματα στην παράγραφο «Δράση διακόπτη».
	Το καλώδιο σύνδεσης είναι χαλαρό.	Ελέγξτε τα σημεία σύνδεσης του κουτιού σύνδεσης και του ψαλιδιού του καλωδίου σύνδεσης.
	Ο διακόπτης I/O βρίσκεται στη θέση «ενεργή» όταν εισαγάγετε την κασέτα μπαταρίας.	Πατήστε το διακόπτη I/O στη θέση «O» (ανεργή) μία φορά και πατήστε το διακόπτη I/O στη θέση «I» (ενεργή) ξανά.
Ελαττωματική σκανδάλη διακόπτη.	Διακόψτε αμέσως τη λειτουργία του εργαλείου και απευθυνθείτε στο τοπικό εξουσιοδοτημένο κέντρο σέρβις για επισκευή.	
Οι λεπίδες ψαλιδιού έχουν κολλήσει στο κλαδί.	Το κλαδί είναι πολύ χονδρό.	Ελευθερώστε τη σκανδάλη διακόπτη. Πατήστε το διακόπτη I/O στη θέση «O» (ανεργή). Μετά, τραβήξτε τις λεπίδες ευθεία προς τα έξω από το κλαδί αργά.
Η σκανδάλη διακόπτης είναι ασφαλισμένη και δεν μπορεί να τραβηχτεί.	Οι λεπίδες ψαλιδιού ανοίγουν με δύναμη.	Απενεργοποιήστε και ενεργοποιήστε ξανά με το διακόπτη I/O. (Η άνω λεπίδα ψαλιδιού κλείνει λίγο κατά την ενεργοποίηση).
Η κοπή δεν είναι ομαλή.	Οι λεπίδες ψαλιδιού δεν είναι κοφτερές.	Ακονίστε τις λεπίδες ψαλιδιού ή ρυθμίστε το διάκενο λεπίδων.
	Οι λεπίδες ψαλιδιού είναι φθαρμένες.	Αντικαταστήστε τις λεπίδες του ψαλιδιού.

Για τη διατήρηση της ΑΣΦΑΛΕΙΑΣ και ΑΞΙΟΠΙΣΤΙΑΣ του προϊόντος, οι επισκευές και οποιαδήποτε άλλη εργασία συντήρησης ή ρύθμισης πρέπει να εκτελούνται από εξουσιοδοτημένα ή εργοστασιακά κέντρα εξυπηρέτησης της Makita, χρησιμοποιώντας πάντοτε ανταλλακτικά της Makita.

ΠΡΟΑΙΡΕΤΙΚΑ ΕΞΑΡΤΗΜΑΤΑ

⚠ ΠΡΟΣΟΧΗ: Αυτά τα εξαρτήματα ή προσαρτήματα συνιστώνται για χρήση με το εργαλείο Makita που περιγράφηκε στις οδηγίες αυτές. Η χρήση οποιωνδήποτε άλλων εξαρτημάτων ή προσαρτημάτων μπορεί να προκαλέσει κίνδυνο τραυματισμού σε άτομα. Να χρησιμοποιείτε τα εξαρτήματα ή προσαρτήματα μόνο για την χρήση που προορίζονται.

Εάν χρειάζεστε οποιαδήποτε βοήθεια για περισσότερες πληροφορίες σε σχέση με αυτά τα εξαρτήματα, αποστανθείτε στο τοπικό σας κέντρο εξυπηρέτησης Makita.

- Άνω λεπίδα ψαλιδιού
- Κάτω λεπίδα ψαλιδιού
- Διαμαντένια λίμα
- Ιμάντας βραχίονα
- Θήκη εργαλείου
- Υποδοχή καλωδίου
- Γνήσια μπαταρία και φορτιστής της Makita

ΠΑΡΑΤΗΡΗΣΗ: Μερικά στοιχεία στη λίστα μπορεί να συμπεριλαμβάνονται στη συσκευασία εργαλείου ως στάνταρ εξαρτήματα. Μπορεί να διαφέρουν ανάλογα με τη χώρα.

TEKNİK ÖZELLİKLER

Model:	DUP361	
Maks. kesme kapasitesi	33 mm	
Toplam uzunluk (makas parçası)	305 mm	
Anma voltajı	D.C.36 V	
Batarya kartuşu	BL1815N, BL1820, BL1820B	BL1830, BL1830B, BL1840, BL1840B, BL1850, BL1850B, BL1860B
Net ağırlık (makas, anahtar kutusu, bağlantı kablosu, iki batarya kartuşu ve sırt çantası)	3,3 kg	3,8 kg

- Sürekli yapılan araştırma ve geliştirmelerden dolayı, burada belirtilen özellikler önceden bildirilmeksizin değiştirilebilir.
- Özellikler ve batarya kartuşu ülkeden ülkeye değişebilir.
- EPTA-Prosedürü 01/2003 uyarınca batarya kartuşu ile birlikte ağırlık

Semboller

Aşağıdakiler makineniz için kullanılan sembolleri göstermektedir. Kullanmadan önce manalarını anladığınızdan emin olunuz.



El kitabını okuyun.



Neme maruz bırakmayın.



Tehlike; sıçrayan nesnelere korunun.



Etrafınızdaki kişileri aletten uzak tutun.



Sadece AB ülkeleri için Elektrik donanımını ve batarya kutusunu evsel atıklarla birlikte bertaraf etmeyiniz! Atık Elektrikli ve Elektronik Donanımlar, Piller ve Akümülatörler ve Atık Piller ve Akümülatörler konusundaki Avrupa Direktifleri ve bunların ulusal yasalara uygulanmaları uyarınca, kullanım ömürleri biten elektrikli donanımların, pillerin ve pil takım(lar)ının ayrı toplanmaları ve çevreye uyumlu bir geri dönüşüm tesisine getirilmeleri gereklidir.

Kullanım amacı

Bu alet dalları budamak için tasarlanmıştır.

Gürültü

Tipik A-ağırlıklı gürültü düzeyi (EN50636 standardına göre belirlenen):

Ses basınç seviyesi (L_{PA}): 70 dB (A) veya daha az Belirsizlik (K): 3,2 dB (A)

İşlem sırasında gürültü seviyesi 80 dB (A)'yi geçebilir.

UYARI: Kulak koruyucuları takın.

Titreşim

Titreşim toplam değeri (üç eksenli vektör toplamı) (EN50636 standardına göre hesaplanan):
Titreşim emisyonu (a_n): 2,5 m/s²'den az
Belirsizlik (K) : 1,5 m/s²

NOT: Beyan edilen titreşim emisyon değeri standart test yöntemine uygun şekilde ölçülmüştür ve bir aleti bir başkasıyla karşılaştırmak için kullanılabilir.

NOT: Beyan edilen titreşim emisyon değeri bir ön maruz kalma değerlendirmesi olarak da kullanılabilir.

UYARI: Bu elektrikli aletin gerçek kullanımı sırasındaki titreşim emisyonu aletin kullanım biçimlerine bağlı olarak beyan edilen emisyon değerinden farklı olabilir.

UYARI: Gerçek kullanım koşullarındaki maruz kalmanın bir tahmini hesaplaması temelinde operatörü koruyacak güvenlik önlemlerini mutlaka belirleyin (çalışma döngüsü içerisinde aletin kapalı olduğu ve aktif durumda olmasının yanı sıra boşta çalıştığı zamanlar gibi, bütün zaman dilimleri göz önünde bulundurulur değerlendirilmelidir).

EC Uygunluk Beyanı

Sadece Avrupa ülkeleri için

Biz Makita Corporation beyan ederiz ki aşağıdaki makine(ler):
Makine Adı: Akülü Budama Makası

Model No./ Tipi: DUP361

aşağıdaki Avrupa Direktiflerine uygundur: 2006/42/EC Aşağıdaki standartlara veya standartlaştırılmış belgelere uygun olarak imal edilmişlerdir: EN ISO 12100 2006/42/EC uyumluluğuna ilişkin teknik dosyaya şuradan ulaşılabilir:

Makita, Jan-Baptist Vinkstraat 2, 3070, Belçika
29.1.2015

Yasushi Fukaya

Yasushi Fukaya

Müdür

Makita, Jan-Baptist Vinkstraat 2, 3070, Belçika

Budama makası güvenlik uyarıları

UYARI: Tüm güvenlik uyarılarını ve tüm talimatları okuyun. Uyarılara ve talimatlara uyulmaması elektrik şoku, yangın ve/veya ciddi yaralanmalar ile sonuçlanabilir.

Tüm uyarıları ve talimatları ile-ride başvurmak için saklayın.

Uyarılardaki "elektrikli alet" terimi ile ya prizden çalışan (kordonlu) elektrikli aletiniz ya da kendi aküsü ile çalışan (kordonsuz) elektrikli aletiniz kastedilmektedir.

- Kişisel koruyucu ekipman kullanın. Daima göz koruması kullanın.** Uygun koşullarda toz maskeleri, altı kaymayan emniyetli ayakkabılar, sert başlıklar ya da kulak korumaları gibi koruyucu donanım kullanılması, yaralanmaları önler.
- Aletin istem dışı çalışmasını önleyin. Güç kaynağını ve/veya pili devreye bağlamadan, aleti elinize almadan veya taşımadan önce anahtarın kapalı konumda olduğundan emin olun.** Elektrikli aletleri parmağınız anahtarın üzerindeyken taşıma ya da anahtar açık konumundayken onlara güç verme kazalara davetive çıkarır.
- İşe uygun giyinin. Bol elbiseler ya da sallanan takılar kullanmayın. Saçlarınızı, gıysilerinizi ve eldivenlerinizi hareketli parçalardan uzak tutun.** Bol elbiseler, takılar ya da uzun saçlar hareketli parçalara kapılabilir.
- Bu alet dalları budamak içindir.** Tasarlandığı amacın dışında bir iş için kullanmayın.
- Fiziksel, duysal ya da zihinsel yetenekleri kısıtlı olan veya deneyim ya da bilgileri olmayan ya da bu talimatlara makineyi kullanacak kadar aşına olmayan kişilerin ve çocukların aleti kullanmasına asla izin vermeyin. Yerel düzenlemeler kullanıcı yaşına sınırlandırma getirebilir.**
- Makineyi asla çevresinde insanlar, özellikle de çocuklar veya evcil hayvanlar varken kullanmayın.**
- Fazla ileriye uzanmaya çalışmayın ve her zaman dengeyi koruyun.** Eğimli yerlerde mutlaka yere sağlam basın ve yürüyün, asla koşmayın.
- Aletin fişini prizden çekmeden ve/veya batarya kutusunu aletten ayırmadan, hareket eden tehlikeli parçalara dokunmayın.**
- Aleti kullanırken daima sağlam ayakkabılar ve uzun pantolonlar giyin.**
- Aşağıdaki durumlarda elektrik bağlantısını kesin ve/veya batarya kutusunu aletten ayırın:**
 - kullanıcı aleti bıraktığı zaman,
 - bir tıkanıklığı temizlemeden önce,
 - aleti kontrol etmeden, temizlemeden ve alet üzerinde çalışmadan önce,
 - yabancı bir cisme çarptıktan sonra alette hasar olup olmadığını kontrol etmek için,
 - alet anormal şekilde titremeye başlarsa, hemen kontrol etmeniz gerektiğinde.
- Aleti hasarlı koruma veya siperle, güvenlik aygıtları yerine takılı olmadan ya da kablo zarar gördüğünde veya aşındığında kullanmayın.**

- Özellikle yıldırım düşmesi riski olan kötü hava koşullarında aleti kullanmaktan kaçının.**
- Yağmurlu havalarda aleti kullanmayın, bataryayı şarj etmeyin.**
- Aleti yağmur altında ya da ıslak yerlerde bırakmayın.**
- Bıçakların arasına yabancı madde takılmamasına dikkat edin.** Bıçakların arasına yabancı bir madde sıkırsa, aleti hemen kapatın ve bataryayı aletten ayırın. Ardından, yabancı maddeyi bıçaklardan çıkarın.
- Budadığınız dalı asla boştaki elinizle tutmayın.** Boştaki elinizi kesim bölgesinden uzak tutun. Bıçaklara asla dokunmayın, bıçaklar çok keskindir, bir yerinizi kesebilir.
- Kesmesi için aleti zorlamayın.** Siz kayabilirsiniz, yaralanmanıza veya yanlışlıkla başka bir şeyi kesmenize neden olabilir.
- Gizli elektrik kablolarını kesmekten sakının.**
- İşlemeden önce her zaman bıçakları kontrol edin.**
- Bıçaklardan kaynaklanan kesilme ya da yaralanmaları önlemek için bıçaklarla uğraşırken çok dikkatli olun.**
- Her kullanımdan sonra ve inceleme ya da bakım yapmaya girişmeden önce bataryayı aletten ayırın.**
- Kullanılmadığı zaman, aleti kılıfında saklayın.**

Bataryalı aletin kullanımı ve bakımı

- Sadece üretici tarafından belirtilen şarj aleti ile şarj edin.** Bir batarya kutusu için uygun olan şarj cihazı başka bir batarya kutusu ile kullanıldığında yangın riski oluşturabilir.
- Elektrikli aletleri sadece özel olarak belirtilen batarya kutularıyla kullanın.** Başka batarya kutularının kullanımı yaralanma ve yangın riski oluşturabilir.
- Batarya kutusu kullanılmadığında; iki terminal arasında bağlantı kurulmasına sebep olabilecek ataç, bozuk para, anahtar, çivi, vida gibi metal nesnelere ya da küçük metal objelere uzak tutun.** Batarya terminallerine kısa devre yaptırmak yanıklara ya da yangına yol açabilir.
- Kötü koşullarda bataryadan sıvı sızabilir; bu sıvıya temas etmeyin. Eğer istemeden bir temas olursa suyla yıkayın. Sıvı göze temas ederse, suyla yıkadıktan sonra tıbbi yardım alın.** Bataryadan çıkan sıvı tahrişe ya da yanıklara neden olabilir.

Servis

- Elektrikli aletinize nitelikli bir onarım elemanı tarafından orijinal parçaları kullanılarak servis verilmesini sağlayın.** Bu, elektrikli aletin güvenli kalmasını temin eder.
- Yağlama ve aksesuar değiştirme talimatlarına uyun.**
- Tutamakları kuru, temiz ve yağ ve gres bulaşmamış halde bulundurun.**

UYARI: Ürünü kullanırken (defalarca kullanınca kazanılan) rahatlık ve tanıdıklık duygusunun ilgili ürünün güvenlik kurallarına sıkı sıkıya bağlı kalmanın yerine geçmesine İZİN VERMEYİN. YANLIŞ KULLANIM veya bu kullanma kılavuzunda belirtilen emniyet kurallarına uymama ciddi yaralanmaya neden olabilir.

Batarya kartuşu hakkında önemli güvenlik talimatları

1. Batarya kartuşunu kullanmadan önce, tüm talimatları ve (1) batarya kartuşu, (2) batarya ve (3) ürün üzerindeki tüm uyarı işaretlerini okuyun.
2. Batarya kartuşunu demonte etmeyin.
3. Çalışma süresi aşırı derecede kısalmışsa kullanmayı derhal bırakın. Aşırı ısınma, yanma riski hatta patlamaya neden olabilir.
4. Gözünüze elektrolit kaçarsa, gözlerinizi temiz suyla durulayın ve hemen tıbbi yardım alın. Görme kaybına yol açabilir.
5. Batarya kartuşuna kısa devre yaptırmayın:
 - (1) Terminallere herhangi bir iletken madde değdirmeyin.
 - (2) Batarya kartuşunu çiviler, madeni paralar, vb. gibi başka metal nesnelere aynı kaba koymaktan kaçının.
 - (3) Batarya kartuşunu yağmura ya da suya maruz bırakmayın.Kısa devre, büyük bir akım akışına, aşırı ısınmaya, olası yanıklara hatta bataryanın bozulmasına yol açabilir.
6. Aleti ve batarya kartuşunu sıcaklığın 50°C ya da daha yüksekçe ulaştığı yerlerde saklamayın.
7. Aşırı derecede hasar görmüş ya da tamamen kullanılmaz durumda olsa bile batarya kartuşunu yakmayın. Batarya kartuşu ateşe atılırsa patlayabilir.
8. Bataryayı düşürmemeye ve çarpmamaya dikkat edin.
9. Hasarlı bataryayı kullanmayın.
10. Aletin içerdiği lityum-iyon bataryaların Tehlikeli Eşyalar Yönetmeliğinin gereksinimlerine tabidir. Ticari nakliye işlemleri için, örneğin üçüncü taraflar, nakliye acenteleri tarafından yapılan nakliyelerde, paketleme ve etiketleme gereksinimlerine uyulmalıdır.

Nakliyesi yapılacak ürünün hazırlanması için, tehlikeli maddeler konusunda uzman bir kişiyi danışın. Lütfen muhtemelen daha ayrıntılı olan ulusal yönetmeliklere de uyun.

Açık kontakları bantlayın ya da maskeleyin ve bataryayı paketin içinde hareket etmeyecek şekilde paketleyin.

11. Bataryanın elden çıkarılması ile ilgili yerel düzenlemelere uyunuz.

BU TALİMATLARI MUHAFAZA EDİNİZ.

⚠DİKKAT: Sadece orijinal Makita bataryalarını kullanın. Orijinal olmayan Makita bataryaları ya da üzerine değişiklik yapılmış bataryaların kullanımı bataryanın patlamasına ve sonuç olarak yangın, kişisel yaralanma ve hasara neden olabilir. Ayrıca Makita aleti ve şarj aletinin Makita tarafından sunulan garantisi de geçersiz olur.

Maksimum batarya ömrü için ipuçları

1. Batarya kartuşunu tamamen boşalmadan önce şarj edin. Aletin gücünün zayıflamaya başladığını fark ettiğinizde aleti durdurun ve batarya kartuşunu şarj edin.
2. Tam dolu bir batarya kartuşunu asla yeniden şarj etmeyin. Aşırı şarj etme bataryanın hizmet ömrünü kısaltır.
3. Batarya kartuşunu 10°C - 40°C oda sıcaklığında şarj edin. Sıcak bir batarya kartuşunu şarj etmeden önce soğumasını bekleyin.
4. Uzun bir süre (altı aydan daha fazla) kullanmadığınız durumlarda batarya kartuşunu şarj edin.

N İşareti

N İşareti, Amerika'da ve diğer ülkelerde NFC Formula, Inc.'in bir ticari markası ya da tescilli ticari markasıdır.

PARÇALARIN TANIMI

► Şek.1

1	Kayış takımı	2	Sırt çantası	3	Anahtar kutusu	4	Pilot lambası (kırmızı)
5	Pilot lambası (yeşil)	6	I/O anahtarı	7	Kılıf	8	Kablo tutucu
9	Bağlantı kablosu	10	Makas	11	Anahtar tetik	-	-

İŞLEVSEL NİTELİKLER

⚠DİKKAT: Alet üzerinde ayarlama veya işleyiş kontrolü yapmadan önce aletin kapalı ve batarya kartuşunun ayrılmış olduğundan daima emin olun.

Batarya kartuşunun takılması ve çıkarılması

⚠DİKKAT: Batarya kartuşunu takmadan ya da çıkarmadan önce aleti daima kapatın.

⚠DİKKAT: Batarya kartuşunu takarken veya çıkarırken aleti ve batarya kartuşunu sıkıca tutun. Aletin ve batarya kartuşunun sıkıca tutulmaması bunların düşürülmesine sebep olabilir ve alet ve batarya kartuşunun zarar görmesine ya da ciddi yaralanmasına yol açabilir.

► **Şek.2:** 1. Kırmızı gösterge 2. Düğme 3. Batarya kartuşu 4. Batarya tutucu

Batarya kartuşunu çıkarmak için, kartuşun ön tarafındaki düğmeyi kaydırarak kartuşu aletten çıkarın.

Batarya kartuşunu takmak için, batarya kartuşu üzerindeki dili yuvanın çentiği ile hizalayın ve yerine oturtun. Hafif bir tık sesi duyulana kadar itip yerine tam oturmasını sağlayın. Düğmenin üst tarafındaki kırmızı gösterge görünüyorsa tam yerine kilitlenmemiş demektir.

▲ DİKKAT: Batarya kartuşunu daima kırmızı gösterge görünmeyecek şekilde tam olarak takın. Yerine tam oturmazsa, aletten yanlışlıkla düşebilir, sizin ya da çevrenizdeki kişilerin yaralanmasına neden olabilir.

▲ DİKKAT: Batarya kartuşunu zorlayarak takmayın. Kartuş kolay bir şekilde kaymıyorsa doğru yerleştirilmemiş demektir.

NOT: Alet, tek batarya kartuşu ile çalışmaz.

Alet/batarya koruma sistemi

Bu alet bir alet/batarya koruma sistemi ile donatılmıştır. Bu sistem motora giden gücü otomatik olarak keserek uzun alet ve batarya ömrü sağlar. Alet veya batarya için aşağıdaki durumlardan biri söz konusu olduğunda aletin işleyişi otomatik olarak durur. Bazı koşullarda, anahtar kutusu üzerindeki lambalar yanar.

Aşırı yük koruması

Alet, anormal derecede yüksek akım çekmesine neden olacak şekilde kullanıldığında, alet hiçbir belirti vermeden otomatik olarak durur. Bu durumda, aleti kapatın ve aletin aşırı yüklenmesine neden olan uygulamayı durdurun. Daha sonra aleti yeniden başlaması için çalıştırın.

Aşırı ısınma koruması

Alet aşırı ısındığında, otomatik olarak durur ve anahtar kutusu üzerindeki yeşil lamba yanıp söner. Bu durumda, yeniden çalıştırmadan önce aletin soğumasını bekleyin.

Aşırı deşarj koruması

Batarya kapasitesi düştüğünde, alet otomatik olarak durur. Ve anahtar kutusu üzerindeki kırmızı lamba yanar veya yanıp söner. Anahtarlar devredeyken bile ürün çalışmıyorsa, bataryaları batarya tutucudan çıkarıp şarj edin.

Kalan batarya kapasitesinin gösterilmesi

Sadece model numarasının sonunda "B" yazan batarya kartuşları için

► **Şek.3:** 1. Gösterge lambaları 2. Kontrol düğmesi

Kalan batarya kapasitesini göstermesi için batarya kartuşu üzerindeki kontrol düğmesine basın. Gösterge lambaları birkaç saniye yanar.

Gösterge lambaları			Kalan kapasite
Yanıyor	Kapalı	Yanıp sönlüyor	
■	□	▤	%75 ila %100
■ ■ ■ ■	□ □ □ □	▤ ▤ ▤ ▤	
■ ■ ■ ■	□ □ □ □	▤ ▤ ▤ ▤	%50 ila %75
■ ■ ■ ■	□ □ □ □	▤ ▤ ▤ ▤	%25 ila %50
■ ■ ■ ■	□ □ □ □	▤ ▤ ▤ ▤	%0 ila %25
▤	□ □ □ □	▤ ▤ ▤ ▤	Bataryayı şarj edin.
■ ■ ■ ■	□ □ □ □	▤ ▤ ▤ ▤	Batarya arızalanmış olabilir.
□ □ ■ ■	□ □ ■ ■	▤ ▤ ▤ ▤	

NOT: Kullanım koşullarına ve ortam sıcaklığına bağlı olarak, gösterilen değer gerçek kapasiteden biraz farklılık gösterebilir.

Anahtar işlemleri

▲ DİKKAT: Bataryayı makasa bağlamadan önce, anahtar tetiğinin düzgün çalıştığından ve bırakıldığında "OFF" (KAPALI) pozisyona döndüğünden emin olun.

▲ DİKKAT: Aleti kullanmadığımız zaman, I/O anahtarını "O" tarafına getirdiğinizden daima emin olun.

▲ DİKKAT: Anahtar tetiği çekerken I/O anahtarını "I" (açık) konuma getirmeyin. Aksi takdirde, bıçak hafifçe kapanır ve kişisel yaralanmaya neden olabilir.

Aleti çalıştırmak için aşağıdaki işlemleri gerçekleştirin:

1. Anahtar kutusunu, bağlantı kablosunu ve makası bağlayın. ("Bağlantı kablosunun takılması" bölümüne başvurun.)
2. Makası sıkıca tutun ve I/O anahtarını "I" (açık) konuma getirin. Yeşil pilot lambası yanar.

► **Şek.4:** 1. I/O anahtarı 2. Pilot lambası (yeşil) 3. Pilot lambası (kırmızı)

3. I/O anahtarı açık konumdayken makas bıçakları kilitleli maddadır. Kilidi açmak için anahtar tetiği iki kez çekin. Üst makas bıçağı otomatik olarak açılır.
 4. Makas bıçağını kapatmak için anahtar tetiği çekin.
- **Şek.5:** 1. Anahtar tetik

Otomatik kilitleli mod ve kapatma moduna geçiş

Güvenlik nedeniyle, alete belli bir süre dokunulmadığında alet otomatik olarak kilitleli moda veya kapatma moduna geçer. 5 dakika sonra: Alet kilitleli moda geçer. Kilidi açmak için anahtar tetiği iki kere çekin.

15 dakika sonra: Alet kapatma moduna geçer, yeşil pilot lambası söner. I/O anahtarına bir kez basarak anahtarı "O" (kapalı) konumuna geçirin ve I/O anahtarına tekrar basarak anahtarı "I" (açık) konuma getirin. Ardından, kilidi açmak için anahtar tetiği iki kez çekin.

Açılma açısı seçim kolu

► Şek.6: 1. Açılma açısı seçim kolu

Açılma açısı seçim kolunu sol tarafa doğru eğerseniz, üst makas bıçağını daha geniş açabilirsiniz. Üst makas bıçağı açılma açısını sınırlamak için, anahtar tetiği tam olarak çekin ve ardından açılma açısı seçim kolunu düz konuma getirin.

Kesim derinliği ayarı

⚠ DİKKAT: Ellerinizi ya da vücudunuzun diğer bölümlerini makas bıçaklarına yaklaştırmayın. Aksi takdirde kişisel yaralanmalar meydana gelebilir.

Makas bıçaklarını biledikten ya da değiştirdikten sonra, gerekirse kesim derinliğini ayarlayın.

Aleti çalıştırın, makas bıçaklarını açmak için anahtar tetiği iki kez çekin ve ardından I/O anahtarına basarak anahtarı "O" (kapalı) konuma getirin. Kesim derinliğini artırmak için, kesim derinliği ayar vidasını altıgen anahtarla saat yönünde döndürün. Kesim derinliğini azaltmak için ise kesim derinliği ayar vidasını saatin aksi yönünde döndürün.

► Şek.7: 1. Kesim derinliği ayar vidası

NOT: Ayarlamadan sonra kesim derinliğini kontrol edin. Kesim derinliği çok azsa, dal tam olarak kesilemeyebilir.

Anahtar kutusu üzerindeki pilot lambaları

► Şek.8: 1. I/O anahtarı 2. Pilot lambası (yeşil) 3. Pilot lambası (kırmızı)

Yeşil ve kırmızı lambalar aşağıdakileri ifade eder:

(Açık: ● Kapalı: ○ Yanıp sönmə: ☀)

- Yeşil lamba yanarsa: alet açıktır.

Yeşil	Kırmızı
●	○

- Yeşil lamba ve kırmızı lamba yanar: I/O anahtarı "I" (açık) konumundayken batarya tutucuya batarya yerleştirirseniz, her iki lamba da yanar ve anahtar tetiği çekseniz de bıçak hareket etmez. Bu durumda I/O anahtarına bir kez basarak anahtarı "O" (kapalı) konumuna geçirin ve I/O anahtarına tekrar basarak anahtarı "I" (açık) konuma getirin.

Yeşil	Kırmızı
●	●

- Yeşil lamba yanıp sönyorsa: alet aşırı ısınmıştır. Yeniden çalıştırmadan önce aletin soğumasını bekleyin.

Yeşil	Kırmızı
☀	○

- Yeşil lamba yanırken kırmızı lamba da yanıyorsa veya yanıp sönyorsa: batarya gücü azalmıştır ya da neredeyse bitmiştir. Bataryaları şarj edin. Bataryalardan birinin gücü azaldığında, başka bir batarya dolu olsa da kırmızı lamba yanıp söner.

	Yeşil	Kırmızı
	●	☀ / ●

- Yeşil lamba ve kırmızı lamba sırayla yanıyorsa: alet, kablolarla bir bağlantı kopması algılamıştır. Anahtar kutusu ve makaslar ile bağlantı kablosunu gevşek bir bağlantı olup olmadığını görmek için kontrol edin. Lambalar hala sırayla yanıp sönyorsa, aleti kullanmayı hemen bırakın, bağlantı kablosunu sökün, bataryayı ayırın ve tamir için yerel yetkili servis merkezine başvurun.

	Lambalar sırayla yanıp sönyür
	○ ● ←→ ● ○

MONTAJ

⚠ DİKKAT: Alet üzerinde herhangi bir iş yapmadan önce aletin kapalı ve batarya kartuşunun ayrılmış olduğundan daima emin olun.

Batarya tutucunun sırt çantasına takılması

► Şek.9: 1. Toka 2. Batarya tutucu 3. Askı

1. Anahtar kutusunu sırt çantasının açık yerinden (sağdaki ve soldaki) geçirin.
2. Askıyı batarya tutucunun kare şeklindeki deliğinden geçirin ve batarya tutucuyu askıyla sabitleyin. Batarya tutucunun sırt çantasına iyice oturduğundan emin olun.

Kılıfın takılması

► Şek.10: 1. Kılıf 2. Askı

Alt tokenin kemerini kılıftaki açıklıktan geçirin.

Kayış takımının ayarlanması

Kayış takımını aşağıda açıklandığı gibi ayarlayın:

1. Alttaki tokayı kapatın ve kilitleyin, ardından kemer yüksekliğini ayarlayın.

► Şek.11: 1. Alt toka

2. Omuz askısı uzunluğunu ayarlayın.

► Şek.12

3. Üst tokenin konumunu ayarlayın. Üstteki tokayı kapatın ve kilitleyin, ardından kemer yüksekliğini ayarlayın.

► Şek.13: 1. Üst toka

⚠ DİKKAT: Acil durumda, alt tokayı ve üst tokayı hemen açın, omuz askılarını gevşetin ve sırt çantalarını sırtınızdan çıkarın.

Bağlantı kablosunun takılması

⚠ DİKKAT: Bağlantı kablosunu takmadan önce anahtar kutusunun I/O anahtarının "O" tarafında olduğundan daima emin olun.

⚠ DİKKAT: Bağlantı kablosu hasarlıysa aleti kullanmayın.

ÖNEMLİ NOT: Bağlantı kablosunu amacı dışında kullanmayın. Aleti bağlantı kablosundan tutarak taşımayın. Bağlantı kablosunu ısıdan, yağdan ve keskin kenarlardan uzak tutun. Aksi takdirde bağlantı kablosu hasar görebilir.

Bağlantı kablosunu anahtar kutusu ve makasla aşağıdaki gibi bağlayın:

1. Önce, bağlantı kablosunun erkek fişi üzerindeki üçgen işaretleri, anahtar kutusunun dişi konektörünün üçgen işaretleriyle hizalayın. Bağlantı kablosunun fişini anahtar kutusunun konektörüne takın. Ardından, bağlantı elemanının üzerindeki işaretleri üçgen işaretleriyle hizalayın ve bağlantı elemanını iterek oturtun ve döndürerek sıkılayın.

► **Şek.14:** 1. Üçgen işaret 2. Bağlantı kablosu 3. Anahtar kutusu 4. Bağlantı elemanı üzerindeki işaret 5. Bağlantı elemanı

ÖNEMLİ NOT: Bağlantı kablosunu sökerken önce bağlantı elemanını döndürün ve bağlantı elemanı üzerindeki işareti üçgen işaretleriyle hizalayın.

2. Anahtar kutusunu bel kemerine veya üst kemere asın.

► **Şek.15**

3. Bağlantı kablosunu kablo tutucunun halkasının içine doğru itin.

► **Şek.16**

Kablo tutucuyu anahtar kutusunun asılı olmadığı bel kemerine ya da üst kemere asın.

Kablo tutucu, bağlantı kablosunun vücudunuza dolaşmasını önler. Ayrıca kablo tutucu, bağlantı kablosunun yanlışlıkla kesilmesini de önleyebilir.

► **Şek.17**

► **Şek.18**

ÖNEMLİ NOT: Kablo tutucuya bağlantı kablosu haricinde bir şey asmayın. Aksi takdirde kablo tutucu kırılabilir.

ÖNEMLİ NOT: Kablo tutucu açıklığını da zorlamayın. Aksi takdirde, kablo tutucu deforme olabilir ya da kırılabilir.

4. Kol bandını kolunuza yerleştirin. Bağlantı kablosunu kol bandından geçirin.

► **Şek.19:** 1. Kol bandı

5. Önce, bağlantı kablosunun dişi fişi üzerindeki üçgen işaretleri, makasların erkek konektörünün üçgen işaretleriyle hizalayın. Bağlantı kablosunun fişini makasın konektörüne takın. Ardından, bağlantı elemanının üzerindeki işaretleri üçgen işaretleriyle hizalayın ve bağlantı elemanını iterek oturtun ve döndürerek sıkılayın.

► **Şek.20:** 1. Üçgen işaret 2. Bağlantı kablosu 3. Makas 4. Bağlantı elemanı üzerindeki işaret 5. Bağlantı elemanı

ÖNEMLİ NOT: Bağlantı kablosunu sökerken önce bağlantı elemanını döndürün ve bağlantı elemanı üzerindeki işareti üçgen işaretleriyle hizalayın.

Makas kılıfa yerleştirme

Makas bıçaklarını kapatmak için anahtar tetiği çekmeye devam edin, aleti kapatmak için I/O anahtarının "O" (kapalı) tarafına bastırılması gerekiyor. Ardından makasları kılıfına koyun ve kılıfın askısını kullanarak tutun.

KULLANIM

⚠ DİKKAT: Aleti daima sıkıca tutun. Ve ayağınızı yere sağlam basın.

⚠ DİKKAT: Çalışma sırasında vücudunuzun hiçbir bölümünü bıçaklara yaklaştırmayın.

⚠ DİKKAT: Kullanmadan önce bıçaklarda, bıçak civatalarında ve diğer parçalarda bir aşınma ya da hasar olup olmadığını kontrol edin. Güvenli kullanım için, aşınmış ya da hasar görmüş parçaları değiştirin.

ÖNEMLİ NOT: Çalışma sırasında bıçak bir dalda sıkışırsa, bıçağı bükmeyin. Bu durumda, aleti kapatın ve bıçakları düz bir şekilde yavaşça daldan çekin. Aksi takdirde bıçak hasar görebilir.

ÖNEMLİ NOT: Çok kalın bir dalı ya da çok sert bir şeyi keserken, aşırı yüklenme koruması çalışır ve alet durur. Bu durumda, üst makas bıçağı çok geniş olarak açık kalırsa ve anahtar tetiğe tam olarak basılırsa, aleti yeniden başlatmak için I/O anahtarının "I" (açık) tarafına bastığınızda üst bıçak hafifçe kapanır.

Budama işlemi

► **Şek.21**

Dalları birer birer kesin. Bu makasla kesilebilecek maksimum dal kalınlığı yaklaşık 33mm'dir. Her zaman yere sağlam basın ve denginizi koruyun.

Kullanımdan sonra

Makas bıçaklarını kapatın, I/O anahtarının "O" (kapalı) konumuna basın ve bağlantı kablosunu makastan ve anahtar kutusundan ayırın, ardından bataryaları batarya tutucudan çıkarın.

Makası kuru, yüksek veya kilitli bir yerde, çocukların erişiminden uzakta saklayın.

ÖNEMLİ NOT: Makası kullanmadığınız zamanlarda bataryasını çıkarın. Aksi takdirde zaman içerisinde batarya kapasitesi azalır.

BAKIM

⚠ DİKKAT: Muayene ya da bakım yapmadan önce aletin kapalı ve batarya kartuşunun çıkartılmış olduğundan daima emin olun.

⚠ DİKKAT: Bıçak üzerinde bir işlem yaparken daima güvenlik eldiveni kullanın. Aksi takdirde, kişisel yaralanmalar meydana gelebilir.

ÖNEMLİ NOT: Benzin, tiner, alkol ve benzeri maddeleri kesinlikle kullanmayın. Renk değişimi, deformasyonu veya çatlaklar oluşabilir.

Bıçakların bakımı

ÖNEMLİ NOT: Bıçakların bakımının yapılması bıçaklarda aşırı sürtünmeye neden olabilir ve bataryanın şarjlı olarak çalışma süresini kısaltabilir.

Kullanmadan önce ve sonra makas bıçaklarını dikkatlice kontrol edin. Kullandıktan sonra, bıçakları sert bir fırça ile temizleyin. Ardından bıçakları bir bezle silin. Bıçak kenarlarına ve hareketli parçalara Makita'nın orijinal makine yağı sürün.

► **Şek.22**

Bıçakların bilenmesi

Üst makas bıçağı

1. Elmas bileme taşının düz yüzeyini bıçak kenarına uygulayın.

Elmas bileme taşını bıçağın ucuna doğru iterek tüm bıçak kenarının bilenmesini sağlayın.

Tüm bıçak kenarı boyuna bileme taşı ile aynı seviyede teması koruyun.

► **Şek.23:** 1. Elmas bileme taşı

2. Elmas bileme taşının düz yüzeyini bıçağın diğer tarafına da hafifçe sürtün.

Çapakları gidermek için elmas bileme taşını bıçağın ucuna doğru hafifçe hareket ettirin.

► **Şek.24**

ÖNEMLİ NOT: Bu tarafı çok fazla bilemeyin. Sadece çapakları gidermek için hafifçe bileyin. Aksi takdirde bıçak açıklığı çok fazla olur ya da bıçağın ömrü kısalabilir.

Alt makas bıçağı

1. Elmas bileme taşının yuvarlak yüzeyini bıçak kenarına sürtün.

Elmas bileme taşını bıçağın ucuna doğru iterek tüm bıçak kenarının bilenmesini sağlayın.

► **Şek.25**

2. Elmas bileme taşının düz yüzeyini bıçağın diğer tarafına da hafifçe sürtün.

Çapakları gidermek için elmas bileme taşını bıçağın ucuna doğru hafifçe hareket ettirin.

► **Şek.26**

ÖNEMLİ NOT: Bu tarafı çok fazla bilemeyin. Sadece çapakları gidermek için hafifçe bileyin. Aksi takdirde bıçak açıklığı çok fazla olur ya da bıçağın ömrü kısalabilir.

Bıçak açıklığının ayarlanması

► **Şek.27:** 1. Plaka tespit civatası 2. Kilitleme plakası 3. Bıçakları sıkılama somunu

Zaman zaman, makas bıçaklarının açıklığını aşağıda anlatıldığı şekilde ayarlayın:

1. Aleti çalıştırın, makas bıçaklarını açmak için anah-tar tetiğe basın.
2. Makas bıçakları açıkken aleti kapatın. Ve bağlantı kablosunu aletten ayırın.
3. Plaka tespit civatasını gevşetin. Ve ardından, kilitleme plakasını çıkarın.
4. Bıçakları sıkılama somununun sıkılığını elle ayar-layın (bıçakları sıkılama somunu için sıkıştırma torku: yaklaşık 0,5 N·m'dir).
5. Kilitleme plakasını ve plaka tespit civatasını yeni-den takın.
6. Bıçakların sıkılığını kontrol etmek için bıçakların sallanmadığını ama üst bıçağın elle 3 mm kadar açılıp kapanabildiğini doğrulayın. Bıçaklar çok sıkı ya da gevşekse, açıklığı tekrar ayarlayın.

ÖNEMLİ NOT: Bıçakların açıklığına dikkat edin. Açıklığın çok gevşek olması küt kesimlere, çok sıkı olması ise motorda aşırı yüklenmeye neden olabilir ve aletin çalışma süresini kısaltır.

Makas bıçaklarının takılması veya çıkarılması

Makas bıçaklarını çıkarmak için aşağıdaki adımları gerçekleştirin:

1. Önce açılma açısı seçme kolunu sol tarafa doğru eğerek bıçakların tam olarak açılmasını sağlayın.
2. Aleti çalıştırın, makas bıçaklarını açmak için anah-tar tetiğe basın.
3. Makas bıçakları açıkken aleti kapatın. Ve bağlantı kablosunu aletten ayırın.

► **Şek.28**

4. Anahtar tetiğin yanındaki iki civatayı altıgen anahtarla çıkarın.

Tetik mahfazasındaki dili yuvanın oluştundan ayırarak tetik mahfazasını çıkarın.

► **Şek.29:** 1. Civatalar 2. Tetik mahfazası

5. Bağlantı kolu üzerindeki E halkasını düz uçlu bir tornavida ya da benzeri bir aletle çıkarın.

► **Şek.30:** 1. E halkası 2. Bağlantı kolu

ÖNEMLİ NOT: E halkası genişleyebilir bir par-çadır. Yeniden monte ederken E halkasını tekrar kullanmayın.

6. Pimi dikkatlice çıkarın.

► **Şek.31:** 1. Pim

7. İki civatayı yuvanın olduğu taraftan çıkarın.

► **Şek.32:** 1. Civatalar

8. Üst ve alt makası yuvadan dikkatlice çıkarın.

► **Şek.33**

9. Üst bıçakla alt bıçağı birbirinden ayırmak için önce plaka tespit civatasını gevşetin.

Ardından, kilitleme plakasını çıkarın.

► **Şek.34:** 1. Plaka tespit civatası 2. Kilitleme plakası

10. Bıçakları sıkılaşma somununu gevşetip çıkarın.

► **Şek.35:** 1. Bıçak sıkılaşma somunu 2. Bıçak sıkılaşma civatası

Makas bıçaklarını takmak için, yukarıdaki adımları tersten izleyin. Tüm civataların iyice sıkılandığından emin olun.

Bıçağı taktıktan sonra, daima bıçak açıklığını ayarlayın. ("Bıçak açıklığının ayarlanması" bölümüne başvurun.)

Makas bıçaklarını takmak için, yukarıdaki adımları tersten izleyin. Makas bıçaklarını takarken, aşağıdaki noktalara dikkat edin:

- Bıçak sıkılaşma civatasına ve bıçakların arasına makine yağı ya da gres uygulayın.
- Plaka tespit civatasını doğru bir şekilde yerleştirmezseniz, önce O halkasını ve plaka tespit civatasını kilitleme plakasından çıkarın. Ardından kilitleme plakasını tersine çevirin ve O halkası ile plaka tespit civatasını döndürün.
- Tetik mahfazasını takarken, tetik mahfazasının dilini yuvanın oluğu ile hizalayın.

► **Şek.36**

- Tüm civataların iyice sıkılandığından emin olun.
- Bıçağı taktıktan sonra, daima bıçak açıklığını ayarlayın. ("Bıçak açıklığının ayarlanması" bölümüne başvurun.)
- Bıçağı taktıktan sonra, daima kesim derinliğini ayarlayın. ("Kesim derinliğinin ayarlanması" bölümüne başvurun.)

Sorun giderme

Onarım talebinde bulunmadan önce, lütfen sorunu önce kendiniz kontrol edin. Herhangi bir anormal durum tespit ettiğinizde, aletinizi bu kılavuzda verilen açıklamalara göre kontrol edin. Aşağıda verilen çözüm sorununuzu çözmüyorsa, tamir için yerel yetkili servis merkezimize başvurun. Hiçbir parçayı açıklamaların aksine bir şekilde değiştirmeyin ve sökmeyin.

Anormal durum	Olası nedeni (arıza)	Çözümü
Anahtar tetik çekilse de makas bıçağı hareket etmiyor.	Bataryanın gücü az.	Bataryayı şarj edin.
	I/O anahtarları "Kapalı" konumunda.	I/O anahtarına basarak anahtarları "I" konumuna getirin.
	Makas kilittir.	"Anahtar işlemi"nde belirtilen adımları gerçekleştirerek makasın kilidini açın.
	Bağlantı kablosu gevşek.	Bağlantı kablosunun anahtar kutusu ve makasla bağlanma noktalarını kontrol edin.
	Batarya kartuşunu yerleştirirken I/O anahtarları "açık" konumdadır.	I/O anahtarına bir kez basarak anahtarları "O" (kapalı) konumuna geçirin ve I/O anahtarına tekrar basarak anahtarları "I" (açık) konuma getirin.
Anahtar tetik arızalı.	Aleti kullanmayı hemen bırakın ve yerel yetkili servis merkezinizden tamir etmelerini isteyin.	
Makas bıçakları dala sıkıştı.	Dal çok kalın.	Anahtar tetiği serbest bırakın. I/O anahtarına basarak anahtarları "O" konumuna getirin. Ardından bıçakları düz bir şekilde yavaşça daldan çekin.
Anahtar tetik kilittendi, çekilemiyor.	Makas bıçakları zorla açılmış.	Aleti I/O anahtarlarıyla kapatıp açın. (Üst makas bıçağı alet çalıştırıldığında hafifçe kapanır.)
Kesim düzgün değil.	Makas bıçakları körelmiş.	Makas bıçaklarını bileyin ya da bıçak açıklığını ayarlayın.
	Makas bıçakları aşınmış.	Makas bıçaklarını değiştirin.

Aleti EMNİYETLİ ve ÇALIŞMAYA HAZIR durumda tutmak için onarımlar, başka her türlü bakım ve ayarlamalar daima Makita yedek parçaları kullanılarak Makita yetkili servis merkezleri veya Fabrikanın Servis Merkezleri tarafından yapılmalıdır.

İSTEĞE BAĞLI AKSESUARLAR

⚠ DİKKAT: Bu aksesuarlar ve ek parçalar bu el kitabında belirtilen Makita aletiniz ile kullanılmak için tavsiye edilmektedir. Herhangi başka bir aksesuar ya da ek parça kullanılması insanlar için bir yaralanma riski getirebilir. Aksesuarları ya da ek parçaları yalnızca belirtilmiş olan kullanım amaçlarına uygun olarak kullanın.

Bu aksesuarlarla ilgili daha fazla bilgiye ihtiyaç duyar-sanız bulunduğunuz yerdeki yetkili Makita servisine başvurun.

- Üst makas bıçağı
- Alt makas bıçağı
- Elmas bileme taşı
- Kol bandı
- Kılıf
- Kablo tutucu
- Orijinal Makita batarya ve şarj aleti

NOT: Listedeki parçaların bazıları alet paketi içerisinde standart aksesuar olarak dahil edilmiş olabilir. Bunlar ülkeden ülkeye farklılık gösterebilir.

Makita Europe N.V. Jan-Baptist Vinkstraat 2,
3070 Kortenberg, Belgium

Makita Corporation 3-11-8, Sumiyoshi-cho,
Anjo, Aichi 446-8502 Japan

www.makita.com

885436B999 EN, FR, DE, IT, NL, ES, PT, DA, EL, TR 20160126
--